



# 5N50

*Power MOSFET*

## 5A, 500V N-CHANNEL POWER MOSFET

■ DESCRIPTION

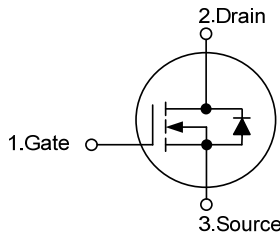
The UTC **5N50** is an N-channel power MOSFET adopting UTC's advanced technology to provide customers with DMOS, planar stripe technology. This technology is designed to meet the requirements of the minimum on-state resistance and perfect switching performance. It also can withstand high energy pulse in the avalanche and communication mode.

The UTC **5N50** can be used in applications, such as active power factor correction, high efficiency switched mode power supplies, electronic lamp ballasts based on half bridge topology.

■ FEATURES

- \*  $R_{DS(ON)} < 1.4\Omega @ V_{GS} = 10V, I_D = 2.5A$
- \* 100% avalanche tested
- \* High switching speed

■ SYMBOL



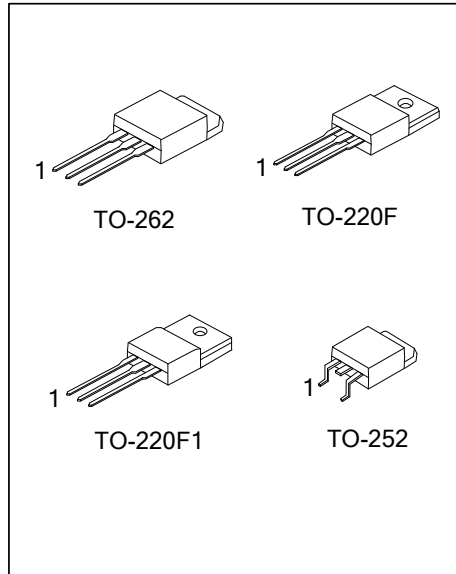
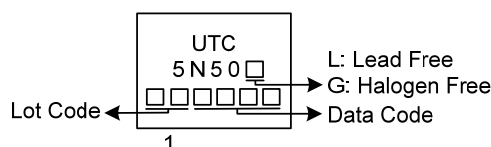
■ ORDERING INFORMATION

Ordering Number		Package	Pin Assignment			Packing
Lead Free	Halogen Free		1	2	3	
5N50L-TF3-T	5N50G-TF3-T	TO-220F	G	D	S	Tube
5N50L-TF1-T	5N50G-TF1-T	TO-220F1	G	D	S	Tube
5N50L-TN3-R	5N50G-TN3-R	TO-252	G	D	S	Tape Reel
5N50L-T2Q-T	5N50G-T2Q-T	TO-262	G	D	S	Tube

Note: Pin Assignment: G: Gate D: Drain S: Source

<p>5N50L-TA2-T</p> <p>(1) Packing Type</p> <p>(2) Package Type</p> <p>(3) Green Package</p>	<p>(1) R: Tape Reel, T: Tube</p> <p>(2) TF3: TO-220F, TF1: TO-220F1, TN3: TO-252 T2Q: TO-262</p> <p>(3) L: Lead Free, G: Halogen Free and Lead Free</p>
---	---

■ MARKING



■ ABSOLUTE MAXIMUM RATINGS ( $T_c=25^\circ\text{C}$ , unless otherwise specified)

PARAMETER		SYMBOL	RATINGS	UNIT
Drain-Source Voltage		$V_{DSS}$	500	V
Gate-Source Voltage		$V_{GSS}$	$\pm 30$	V
Drain Current	Continuous	$I_D$	5	A
	Pulsed (Note 2)	$I_{DM}$	20	A
Avalanche Current (Note 2)		$I_{AR}$	5	A
Avalanche Energy	Single Pulsed (Note 3)	$E_{AS}$	300	mJ
	Repetitive (Note 2)	$E_{AR}$	7.3	mJ
Peak Diode Recovery dv/dt (Note 4)		dv/dt	4.5	V/ns
Power Dissipation	TO-262	$P_D$	125	W
	TO-220F/TO-220F1		38	W
	TO-252		54	W
Junction Temperature		$T_J$	+150	$^\circ\text{C}$
Storage Temperature		$T_{STG}$	-55~+150	$^\circ\text{C}$

Notes: 1. Absolute maximum ratings are those values beyond which the device could be permanently damaged.

Absolute maximum ratings are stress ratings only and functional device operation is not implied.

2. Repetitive Rating: Pulse width limited by maximum junction temperature

3.  $L = 21.5\text{mH}$ ,  $I_{AS} = 5\text{A}$ ,  $V_{DD} = 50\text{V}$ ,  $R_G = 25\Omega$ , Starting  $T_J = 25^\circ\text{C}$

4.  $I_{SD} \leq 5\text{A}$ ,  $di/dt \leq 200\text{A}/\mu\text{s}$ ,  $V_{DD} \leq BV_{DSS}$ , Starting  $T_J = 25^\circ\text{C}$

■ THERMAL DATA

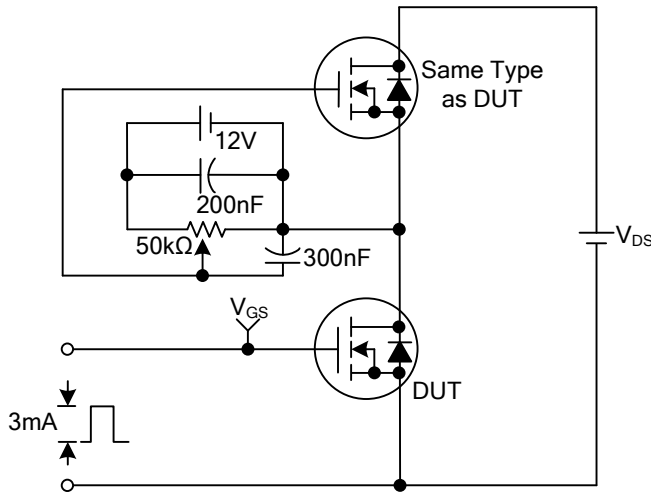
PARAMETER		SYMBOL	RATINGS	UNIT
Junction to Ambient	TO-262/TO-220F	$\theta_{JA}$	62.5	$^\circ\text{C}/\text{W}$
	TO-220F1			
	TO-252			
Junction to Case	TO-262	$\theta_{JC}$	1	$^\circ\text{C}/\text{W}$
	TO-220F/TO-220F1			
	TO-252			

■ ELECTRICAL CHARACTERISTICS ( $T_C=25^\circ\text{C}$ , unless otherwise specified)

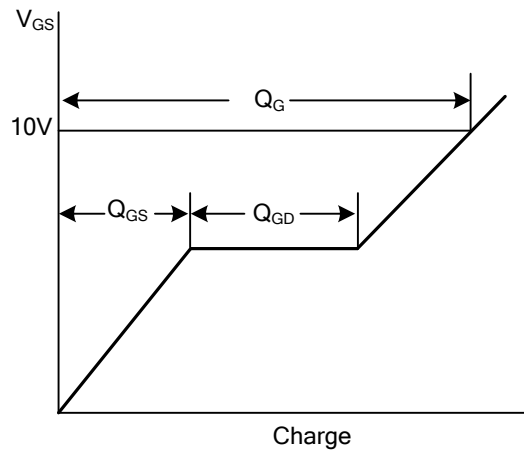
PARAMETER		SYMBOL	TEST CONDITIONS	MIN	TYP	MAX	UNIT	
<b>OFF CHARACTERISTICS</b>								
Drain-Source Breakdown Voltage		$BV_{DSS}$	$I_D=250\mu\text{A}$ , $V_{GS}=0\text{V}$	500			V	
Breakdown Voltage Temperature Coefficient		$\Delta BV_{DSS}/\Delta T_J$	Reference to $25^\circ\text{C}$ , $I_D=250\mu\text{A}$		0.5		$\text{V}/^\circ\text{C}$	
Drain-Source Leakage Current		$I_{DSS}$	$V_{DS}=500\text{V}$ , $V_{GS}=0\text{V}$			1	$\mu\text{A}$	
			$V_{DS}=400\text{V}$ , $T_C=125^\circ\text{C}$			10		
Gate- Source Leakage Current	Forward	$I_{GSS}$	$V_{GS}=30\text{V}$ , $V_{DS}=0\text{V}$			100	nA	
	Reverse		$V_{GS}=-30\text{V}$ , $V_{DS}=0\text{V}$			-100	nA	
<b>ON CHARACTERISTICS</b>								
Gate Threshold Voltage		$V_{GS(TH)}$	$V_{DS}=V_{GS}$ , $I_D=250\mu\text{A}$	2.0		4.0	V	
Static Drain-Source On-State Resistance		$R_{DS(ON)}$	$V_{GS}=10\text{V}$ , $I_D=2.5\text{A}$			1.4	$\Omega$	
<b>DYNAMIC PARAMETERS</b>								
Input Capacitance		$C_{ISS}$	$V_{GS}=0\text{V}$ , $V_{DS}=25\text{V}$ , $f=1.0\text{MHz}$		535	625	pF	
Output Capacitance		$C_{OSS}$			70	105		pF
Reverse Transfer Capacitance		$C_{RSS}$			17	20		pF
<b>SWITCHING PARAMETERS</b>								
Turn-ON Delay Time		$t_{D(ON)}$	$V_{DD}=30\text{V}$ , $I_D=0.5\text{A}$ , $R_G=25\Omega$ (Note 1, 2)		30	45	ns	
Rise Time		$t_R$			50	70		
Turn-OFF Delay Time		$t_{D(OFF)}$			145	165		
Fall-Time		$t_F$			72	105		
Total Gate Charge		$Q_G$	$V_{GS}=10\text{V}$ , $V_{DS}=50\text{V}$ , $I_D=1.3\text{A}$ , $I_G=100\mu\text{A}$ (Note 1, 2)		20	24	nC	
Gate to Source Charge		$Q_{GS}$			4			
Gate to Drain Charge		$Q_{GD}$			5			
<b>SOURCE- DRAIN DIODE RATINGS AND CHARACTERISTICS</b>								
Maximum Continuous Drain-Source Diode Forward Current		$I_S$				5	A	
Maximum Pulsed Drain-Source Diode Forward Current		$I_{SM}$				20	A	
Drain-Source Diode Forward Voltage		$V_{SD}$	$I_S=5\text{A}$ , $V_{GS}=0\text{V}$			1.4	V	

Notes: 1. Pulse Test: Pulse width  $\leq 300\mu\text{s}$ , Duty cycle  $\leq 2\%$   
2. Essentially independent of operating temperature

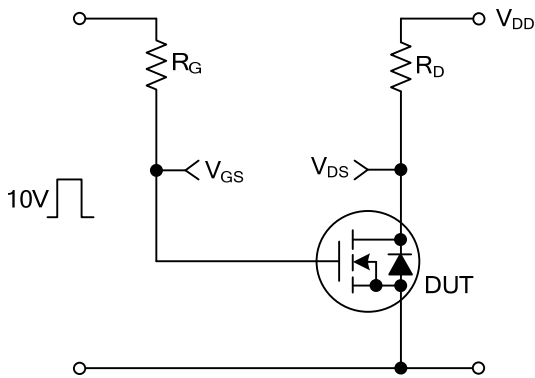
■ TEST CIRCUITS AND WAVEFORMS



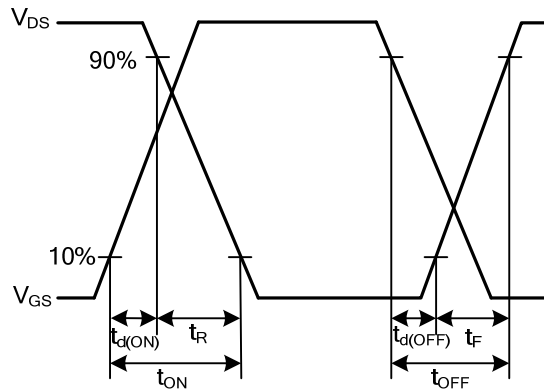
Gate Charge Test Circuit



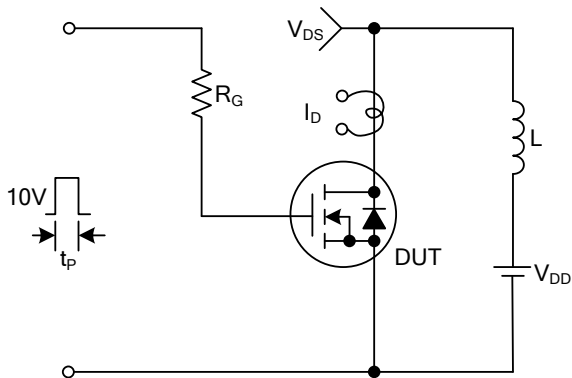
Gate Charge Waveforms



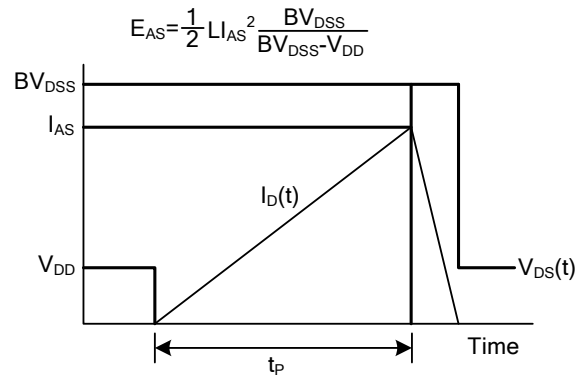
Resistive Switching Test Circuit



Resistive Switching Waveforms

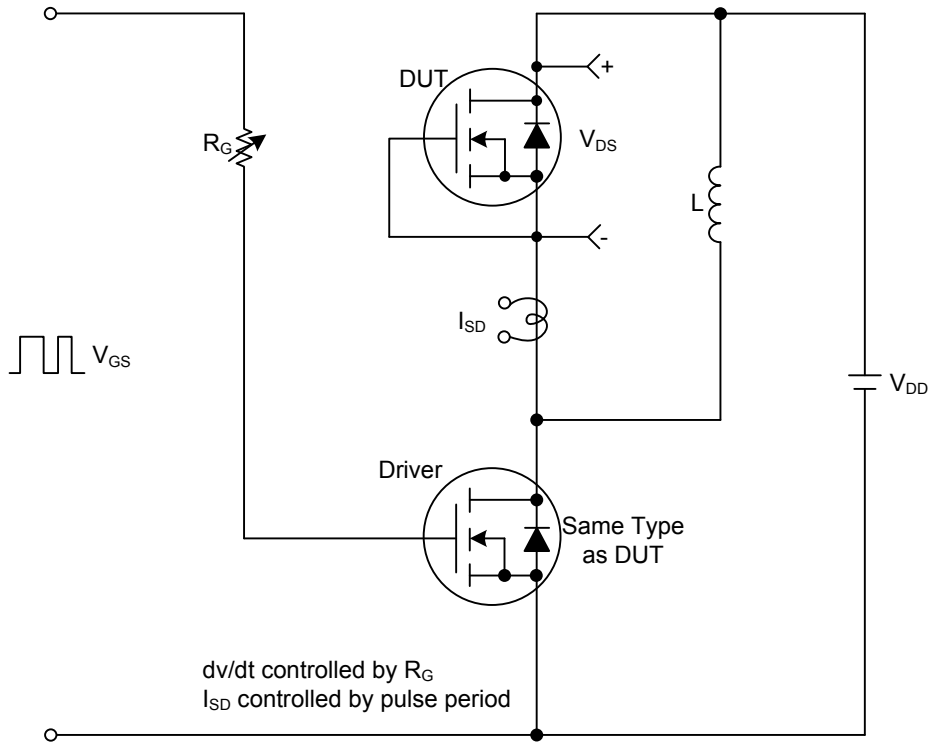


Unclamped Inductive Switching Test Circuit

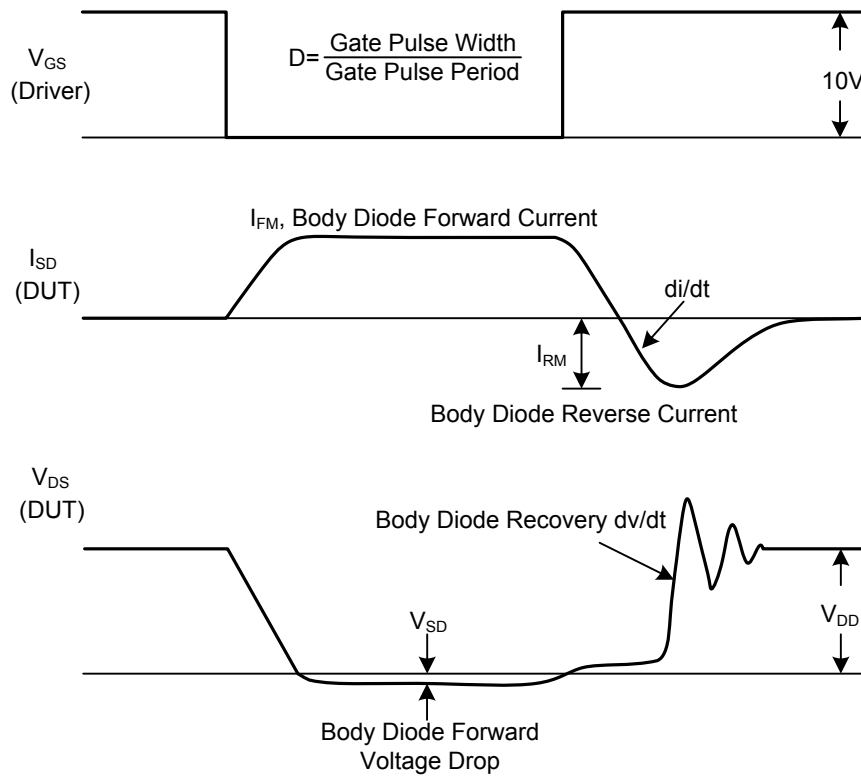


Unclamped Inductive Switching Waveforms

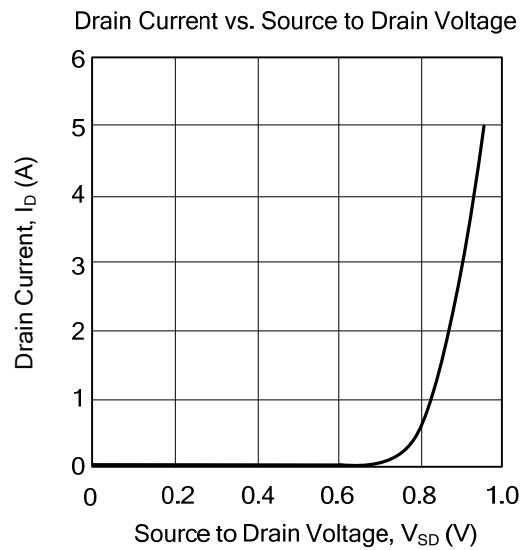
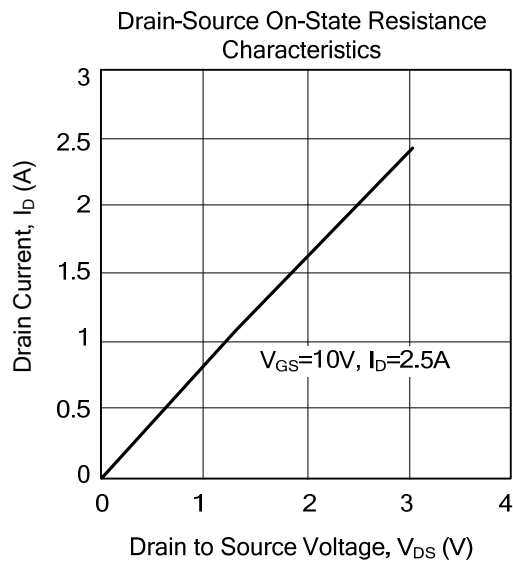
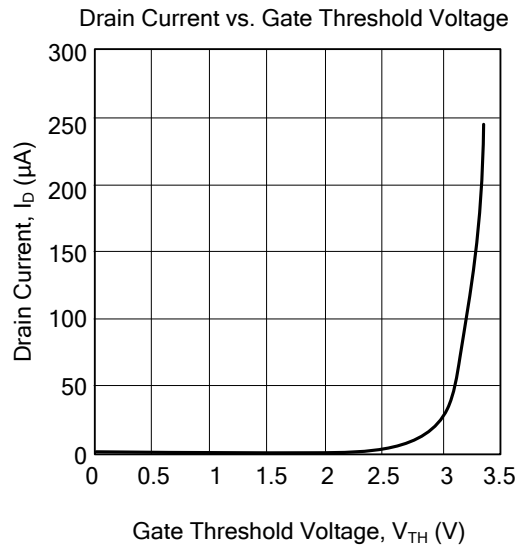
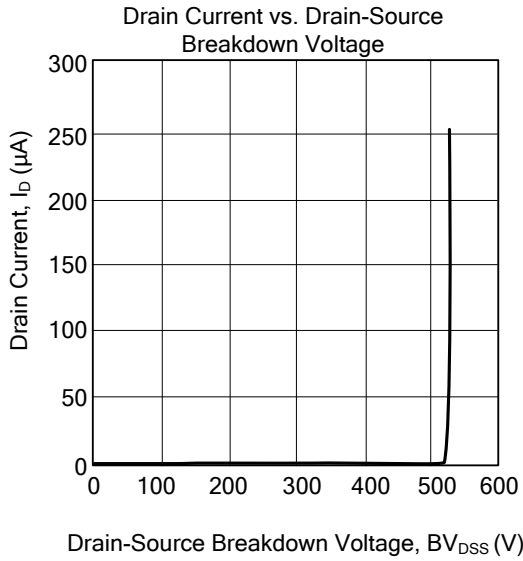
■ TEST CIRCUITS AND WAVEFORMS(Cont.)



Peak Diode Recovery dv/dt Test Circuit & Waveforms



■ TYPICAL CHARACTERISTICS



UTC assumes no responsibility for equipment failures that result from using products at values that exceed, even momentarily, rated values (such as maximum ratings, operating condition ranges, or other parameters) listed in products specifications of any and all UTC products described or contained herein. UTC products are not designed for use in life support appliances, devices or systems where malfunction of these products can be reasonably expected to result in personal injury. Reproduction in whole or in part is prohibited without the prior written consent of the copyright owner. The information presented in this document does not form part of any quotation or contract, is believed to be accurate and reliable and may be changed without notice.