



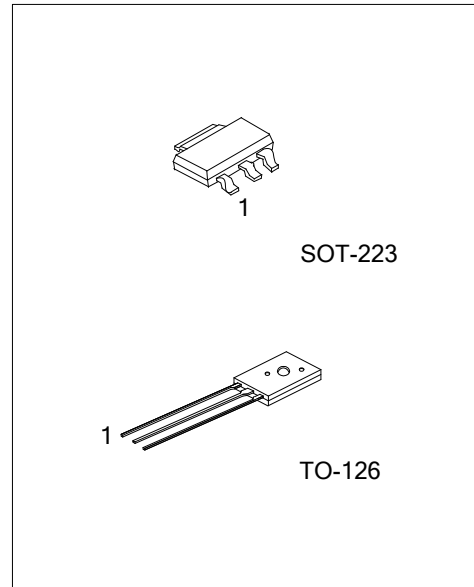
BD137

NPN SILICON TRANSISTOR

NPN POWER TRANSISTORS

■ FEATURES

- * High current (max.1.5A)
- * Low voltage (max.60V)



■ ORDERING INFORMATION

Ordering Number		Package	Pin Assignment			Packing
Lead Free	Halogen Free		1	2	3	
-	BD137G-x-AA3-R	SOT-223	B	C	E	Tape Reel
BD137L-xx-T60-K	BD137G-xx-T60-K	TO-126	E	C	B	Bulk

<p>BD137G-xx-AA3-R</p> <ul style="list-style-type: none"> (1) Packing Type (2) Package Type (3) Rank (4) Green Package 	<ul style="list-style-type: none"> (1) R: Tape Reel, K: Bulk (2) AA3: SOT-223, T60: TO-126 (3) refer to CLASSIFICATION OF h_{FE} (4) G: Halogen Free and Lead Free, L: Lead Free
--	---

■ MARKING

SOT-223	TO-126

■ ABSOLUTE MAXIMUM RATING

PARAMETER	SYMBOL	RATINGS	UNIT
Collector-Base Voltage	V_{CBO}	60	V
Collector-Emitter Voltage	V_{CEO}	60	V
Emitter-Base Voltage	V_{EBO}	5	V
Collector Current (DC)	I_C	1.5	A
Peak Collector Current	I_{CM}	3.0	A
Peak Base Current	I_{BM}	0.5	A
Power Dissipation ($T_A=25^\circ\text{C}$)	SOT-223	1	W
	TO-126	1.25	W
Junction Temperature	T_J	+150	$^\circ\text{C}$
Operating Temperature	T_{OPR}	-55~+150	$^\circ\text{C}$
Storage Temperature	T_{STG}	-55~+150	$^\circ\text{C}$

Note: Absolute maximum ratings are those values beyond which the device could be permanently damaged. Absolute maximum ratings are stress ratings only and functional device operation is not implied.

■ ELECTRICAL CHARACTERISTICS ($T_J=25^\circ\text{C}$, unless otherwise specified)

PARAMETER	SYMBOL	TEST CONDITIONS	MIN	TYP	MAX	UNIT
Collector-Emitter Voltage (Note)	V_{CEO}	$I_C=30\text{mA}$, $I_B=0$	60			V
Collector Cut-Off Current	I_{CBO}	$I_E=0$, $V_{CB}=30\text{V}$			100	nA
		$I_E=0$, $V_{CB}=30\text{V}$, $T_J=125^\circ\text{C}$			10	μA
Emitter Cut-Off Current	I_{EBO}	$I_C=0$, $V_{EB}=5\text{V}$			10	μA
DC Current Gain (Note)	h_{FE}	$V_{CE}=2\text{V}$	$I_C=5\text{mA}$	25		
			$I_C=150\text{mA}$	40		160
			$I_C=500\text{mA}$	25		
DC Current Gain (Note)	BD137-6 BD137-10	$I_C=150\text{mA}$, $V_{CE}=2\text{V}$		40		100
				63		160
Collector-Emitter Saturation Voltage (Note)	$V_{CE(SAT)}$	$I_C=500\text{mA}$, $I_B=50\text{mA}$			0.5	V
Base-Emitter Voltage (Note)	V_{BE}	$I_C=500\text{mA}$, $V_{CE}=2\text{V}$			1	V
Transition Frequency	f_T	$I_C=500\text{mA}$, $V_{CE}=5\text{V}$, $f=100\text{MHz}$		190		MHz

Note: Pulse Test: Pulse Width $\leq 300\mu\text{s}$, Duty Cycle $\leq 2\%$.

UTC assumes no responsibility for equipment failures that result from using products at values that exceed, even momentarily, rated values (such as maximum ratings, operating condition ranges, or other parameters) listed in products specifications of any and all UTC products described or contained herein. UTC products are not designed for use in life support appliances, devices or systems where malfunction of these products can be reasonably expected to result in personal injury. Reproduction in whole or in part is prohibited without the prior written consent of the copyright owner. The information presented in this document does not form part of any quotation or contract, is believed to be accurate and reliable and may be changed without notice.