



BU941

NPN SILICON TRANSISTOR

NPN POWER DARLINGTON HIGH VOLTAGE IGNITION COIL DRIVER

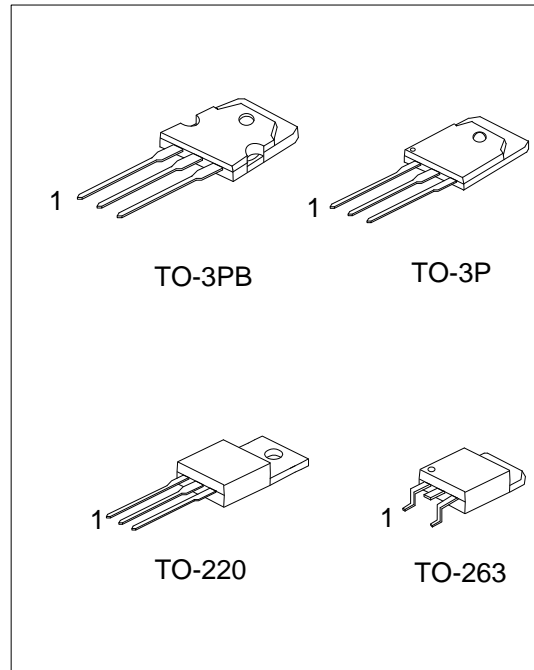
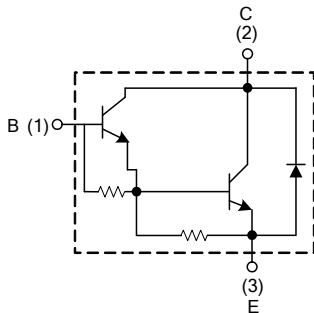
FEATURES

- * NPN Darlington
- * Integrated antiparallel collector-emitter diode

APPLICATIONS

- * High ruggedness electric ignitions

INTERNAL SCHEMATIC DIAGRAM



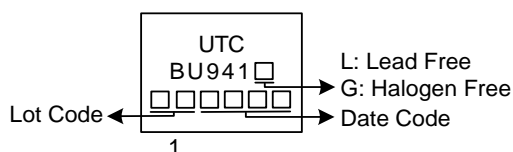
ORDERING INFORMATION

Ordering Number		Package	Pin Assignment			Packing
Lead Free	Halogen Free		1	2	3	
BU941L-TA3-T	BU941G-TA3-T	TO-220	B	C	E	Tube
BU941L-TQ2-T	BU941G-TQ2-T	TO-263	B	C	E	Tube
BU941L-TQ2-R	BU941G-TQ2-R	TO-263	B	C	E	Tape Reel
BU941L-T3P-T	BU941G-T3P-T	TO-3P	B	C	E	Tube
BU941L-T3B-T	BU941G-T3B-T	TO-3PB	B	C	E	Tube

Note: Pin assignment: B: Base C: Collector E: Emitter

<p>BU941G-TA3-T</p> <p>(1) Packing Type</p> <p>(2) Package Type</p> <p>(3) Green Package</p>	<p>(1) T: Tube, R: Tape Reel</p> <p>(2) TA3: TO-220, TQ2: TO-263, T3P: TO-3P, T3B: TO-3PB</p> <p>(3) G: Halogen Free and Lead Free, L: Lead Free</p>
--	--

MARKING



■ ABSOLUTE MAXIMUM RATINGS

PARAMETER		SYMBOL	RATINGS	UNIT
Collector-Emitter Voltage		V_{CES}	500	V
Collector-Emitter Voltage		V_{CEO}	400	V
Emitter-Base Voltage		V_{EBO}	5	V
Collector Current		I_C	15	A
Collector Peak Current		I_{CM}	30	A
Base Current		I_B	1	A
Base Peak Current		I_{BM}	5	W
Total Power Dissipation ($T_C=25^\circ\text{C}$)	TO-3P	P_D	155	W
	TO-3PB			
	TO-220		150	W
	TO-263			
Junction Temperature		T_J	+175	$^\circ\text{C}$
Storage Temperature		T_{STG}	-65 ~ +175	$^\circ\text{C}$

Note Absolute maximum ratings are those values beyond which the device could be permanently damaged. Absolute maximum ratings are stress ratings only and functional device operation is not implied.

■ THERMAL CHARACTERISTICS

PARAMETER		SYMBOL	RATINGS	UNIT
Junction to Ambient	TO-3P	θ_{JA}	30	$^\circ\text{C/W}$
	TO-3PB			
	TO-220		62.5	$^\circ\text{C/W}$
	TO-263			
Junction to Case	TO-3P	θ_{JC}	0.8	$^\circ\text{C/W}$
	TO-3PB			
	TO-220		0.83	$^\circ\text{C/W}$
	TO-263			

■ ELECTRICAL CHARACTERISTICS ($T_C=25^\circ\text{C}$, unless otherwise specified)

PARAMETER	SYMBOL	TEST CONDITIONS	MIN	TYP	MAX	UNIT
Collector-Emitter Sustaining Voltage	$V_{CEO(SUS)}^*$	$I_C=1\text{mA}$, $V_{CLAMP}=400\text{V}$, $L=10\text{mH}$ (see Fig. 1)	400			V
Collector Cut-Off Current	I_{CES}	$V_{CE}=500\text{V}$, $V_{BE}=0$ $V_{CE}=500\text{V}$, $V_{BE}=0$, $T_J=125^\circ\text{C}$			100 0.5	μA mA
Collector Cut-Off Current	I_{CEO}	$V_{CE}=450\text{V}$, $I_B=0$ $V_{CE}=450\text{V}$, $I_B=0$, $T_J=125^\circ\text{C}$			100 0.5	μA mA
Emitter Cut-off Current	I_{EBO}	$V_{EB}=5\text{V}$, $I_C=0$			20	mA
Collector-Emitter Saturation Voltage	$V_{CE(SAT)}^*$	$I_C=8\text{A}$, $I_B=100\text{mA}$ $I_C=10\text{A}$, $I_B=250\text{mA}$ $I_C=12\text{A}$, $I_B=300\text{mA}$			1.6 1.8 2	V
Base-Emitter Saturation Voltage	$V_{BE(SAT)}^*$	$I_C=8\text{A}$, $I_B=100\text{mA}$ $I_C=10\text{A}$, $I_B=250\text{mA}$ $I_C=12\text{A}$, $I_B=300\text{mA}$			2.2 2.5 2.7	V
DC Current Gain	h_{FE}^*	$V_{CE}=10\text{V}$, $I_C=5\text{A}$	300			
Diode Forward Voltage	V_F	$I_F=10\text{A}$			2.5	V
Functional Test		$V_{CC}=24\text{V}$, $V_{CLAMP}=400\text{V}$, $L=7\text{mH}$ (see Functional Test Circuit)	10			A
Fall Time	t_F	$V_{CC}=12\text{V}$, $V_{CLAMP}=300\text{V}$, $V_{BE}=0$, $R_{BE}=47\Omega$, $L=7\text{mH}$, $I_C=7\text{A}$, $I_B=70\text{mA}$ (see Fig.2)		0.5		μs
Storage Time	t_s			15		

* Pulsed: Pulse duration=300 μs , duty cycle 1.5%

■ ELECTRICAL CHARACTERISTICS (Cont.)

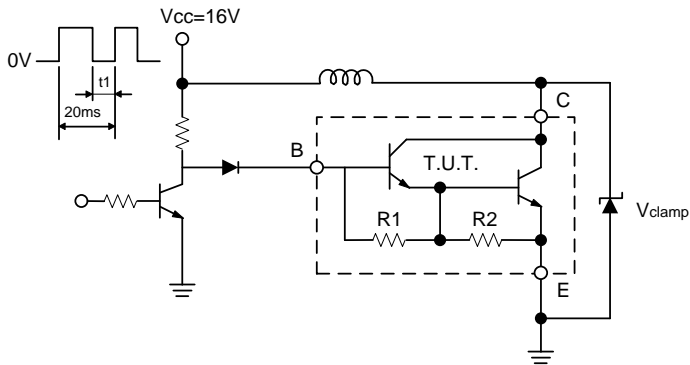


Fig. 1 Sustaining Voltage Test Circuit

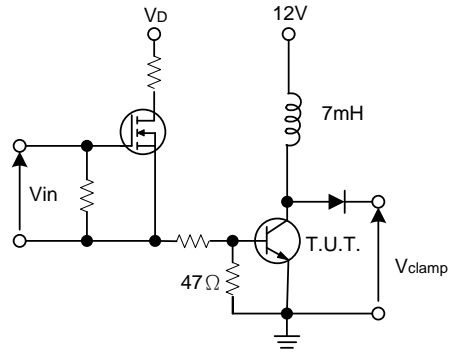
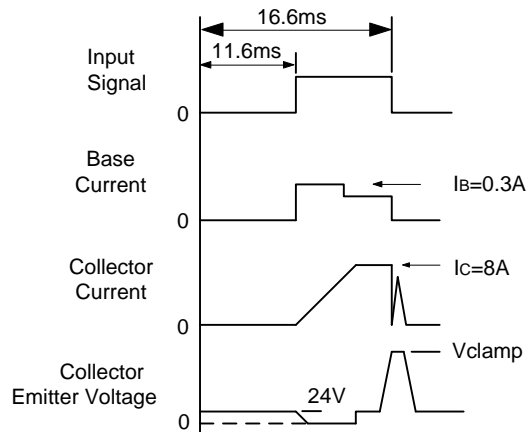
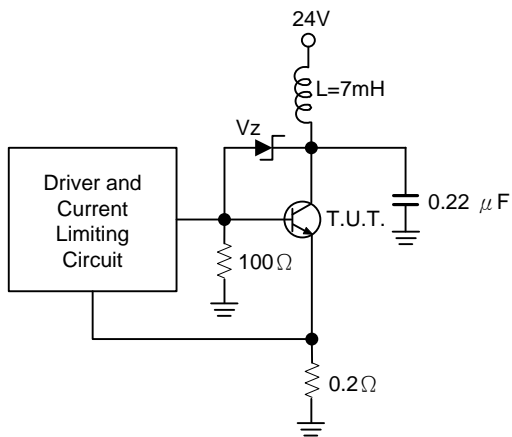
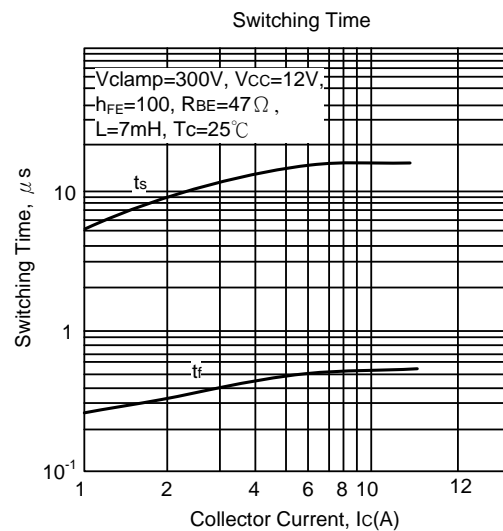
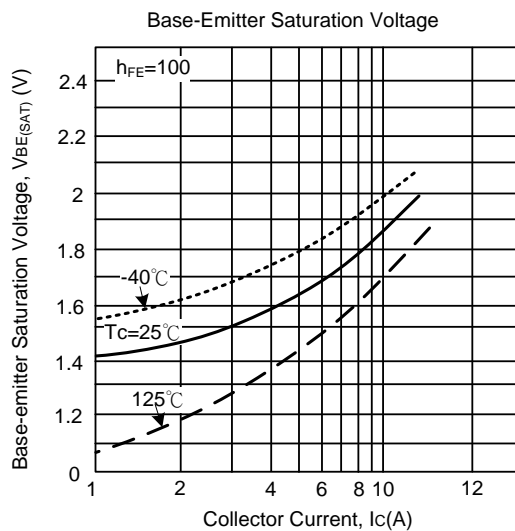
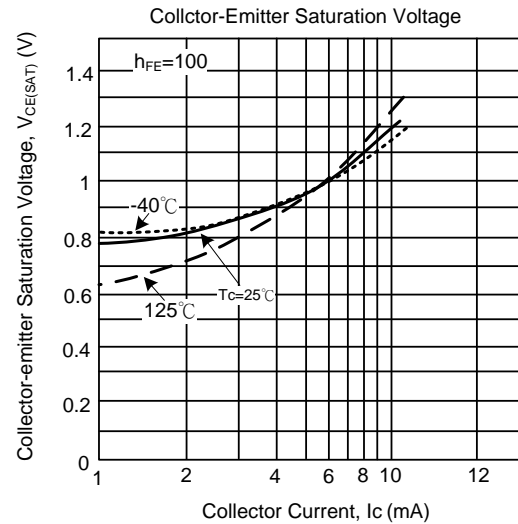
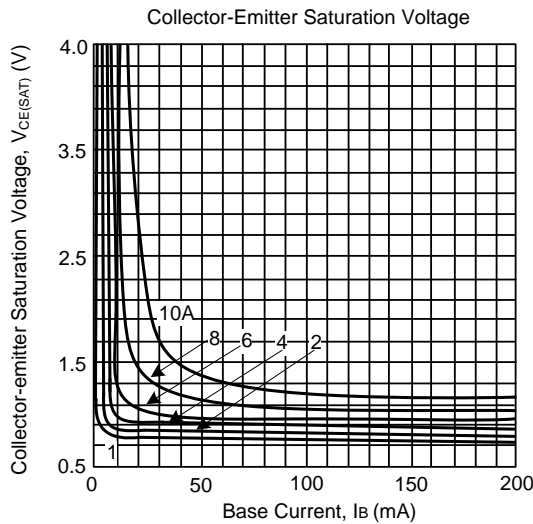
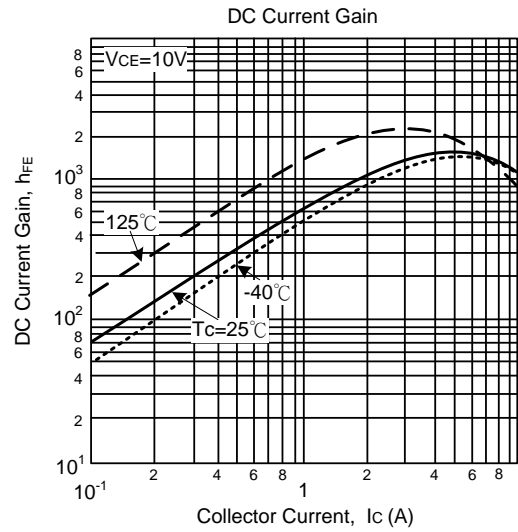
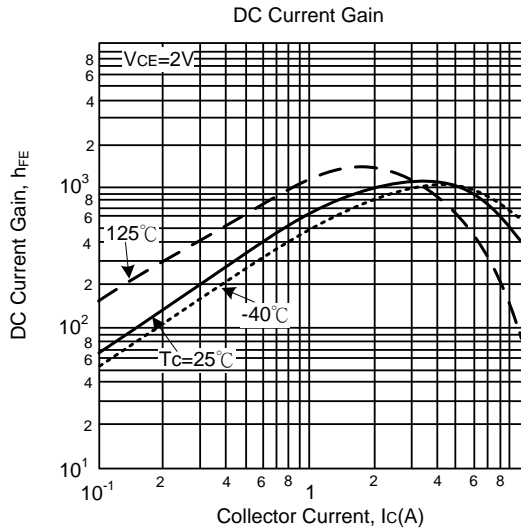


Fig. 2 Switching Time Test Circuit

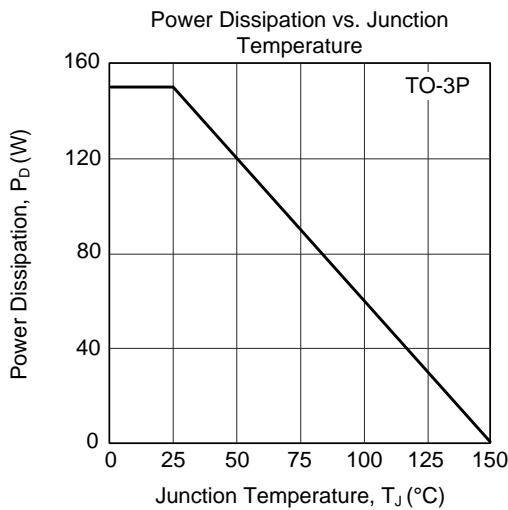
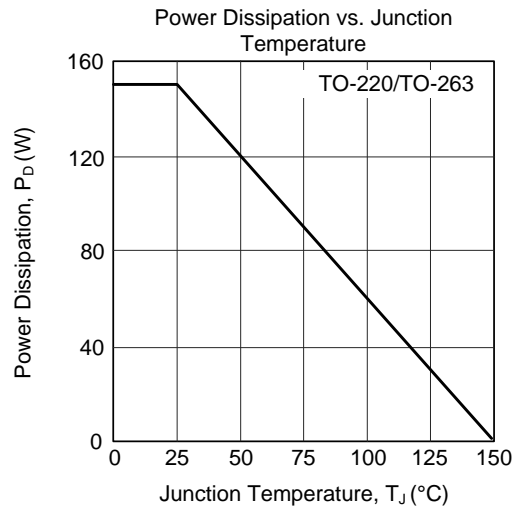
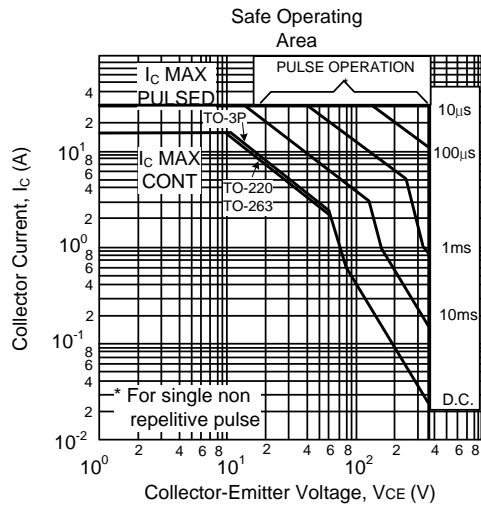
■ FUNCTION TEST CIRCUIT



TYPICAL CHARACTERISTICS



■ TYPICAL CHARACTERISTICS (Cont.)



UTC assumes no responsibility for equipment failures that result from using products at values that exceed, even momentarily, rated values (such as maximum ratings, operating condition ranges, or other parameters) listed in products specifications of any and all UTC products described or contained herein. UTC products are not designed for use in life support appliances, devices or systems where malfunction of these products can be reasonably expected to result in personal injury. Reproduction in whole or in part is prohibited without the prior written consent of the copyright owner. UTC reserves the right to make changes to information published in this document, including without limitation specifications and product descriptions, at any time and without notice. This document supersedes and replaces all information supplied prior to the publication hereof.