



L88312

Preliminary

LINEAR INTEGRATED CIRCUIT

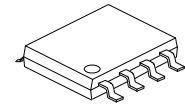
SHORT CIRCUIT PROTECT BLOCK FOR LNB

DESCRIPTION

The UTC **L88312** is designed for short circuit protection of LNB application. The device operated same as a power switch when the LNB stage in normal operation. And the device will supply constant current when the LNB stage in short circuit state. The constant current can be set by external resistor between V_{IN} pin and RSENSE pin.

FEATURES

- * Wide operating voltage range: 8V~32V
- * Low on resistance: 320 mΩ
- * Constant current set by external resistor
- * Thermal shutdown



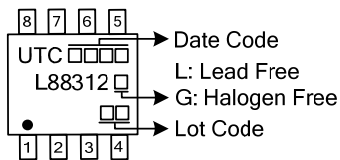
SOP-8

ORDERING INFORMATION

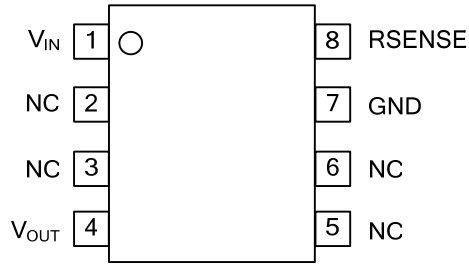
Ordering Number		Package	Packing
Lead Free	Halogen Free		
L88312L-S08-R	L88312G-S08-R	SOP-8	Tape Reel

<p>L88312G-S08-R</p> <ul style="list-style-type: none"> (1) Packing Type (2) Package Type (3) Green Package 	<ul style="list-style-type: none"> (1) R: Tape Reel (2) S08: SOP-8 (3) G: Halogen Free and Lead Free, L: Lead Free
--	---

MARKING



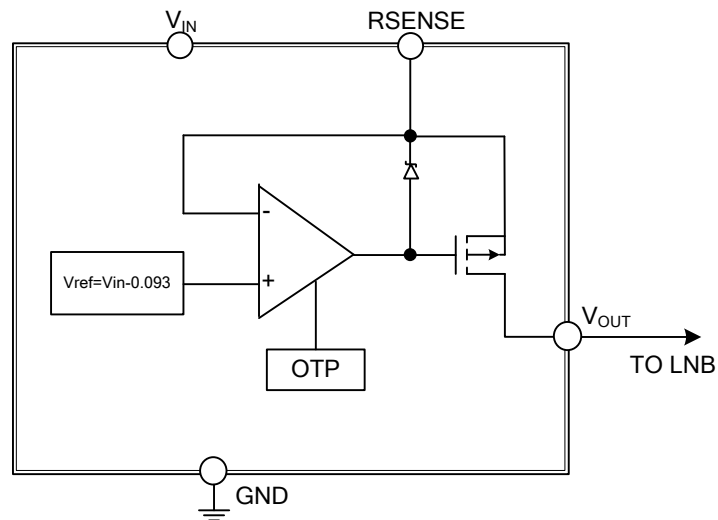
■ PIN CONFIGURATION



■ PIN DESCRIPTION

PIN NO.	PIN NAME	DESCRIPTION
1	V _{IN}	Power Supply
2	NC	No Connection
3	NC	No Connection
4	V _{OUT}	V _{OUT} to LNB Stage
5	NC	No Connection
6	NC	No Connection
7	GND	Ground
8	RSENSE	Sense Resistor for Constant Current Set

■ BLOCK DIAGRAM



■ ABSOLUTE MAXIMUM RATING

PARAMETER	SYMBOL	RATINGS	UNIT
Power Supply Voltage (V_{CC} to GND)	V_{IN}	32	V
Operating Junction Temperature	T_J	+150	°C
Operating Temp Range	T_{OPR}	-40 ~ +105	°C
Storage Temperature Range	T_{STG}	-55 ~ +150	°C

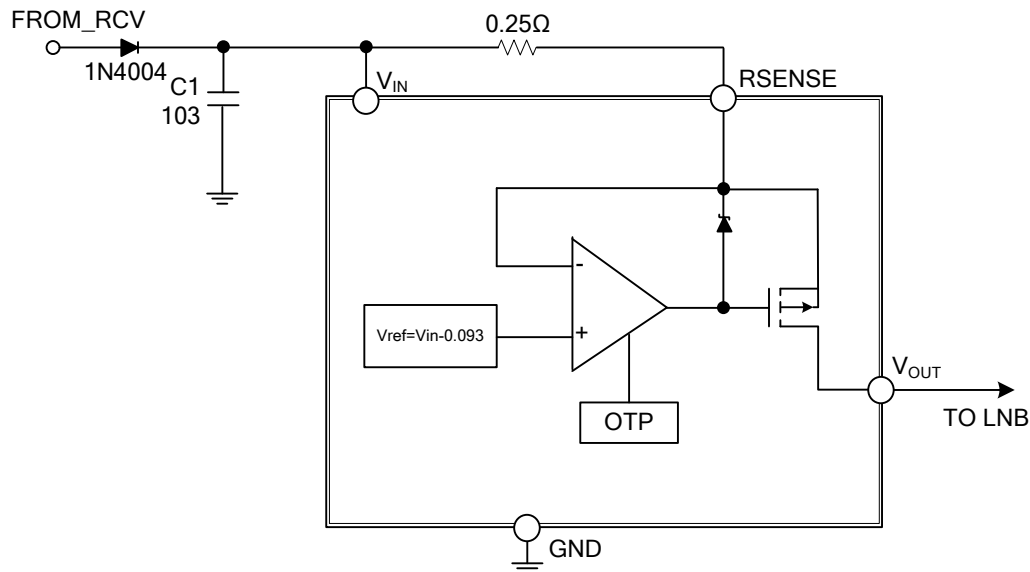
Note: Absolute maximum ratings are those values beyond which the device could be permanently damaged. Absolute maximum ratings are stress ratings only and functional device operation is not implied.

■ ELECTRICAL CHARACTERISTICS

($T_A=25^{\circ}\text{C}$, $V_{CC}=22\text{V}$, $R_{SENSE}=0.25\text{ohm}$, unless otherwise stated)

PARAMETER	SYMBOL	TEST CONDITIONS	MIN	TYP	MAX	UNIT
Supply Voltage	V_{IN}		8		32	V
Supply Current	I_{IN}	No load, $R_{SENSE}=V_{IN}$		3	6	mA
I/O Limit	I_{O_LIMIT}	Io sweep	320	370	420	mA
On Resistance	R_{ON}	$R_{SENSE}=V_{IN}$		320		mohm
Over Temp Protect	OTP _{ON}			155		°C
	OTP _{OFF}			125		°C

■ TYPICAL APPLICATION CIRCUIT



UTC assumes no responsibility for equipment failures that result from using products at values that exceed, even momentarily, rated values (such as maximum ratings, operating condition ranges, or other parameters) listed in products specifications of any and all UTC products described or contained herein. UTC products are not designed for use in life support appliances, devices or systems where malfunction of these products can be reasonably expected to result in personal injury. Reproduction in whole or in part is prohibited without the prior written consent of the copyright owner. The information presented in this document does not form part of any quotation or contract, is believed to be accurate and reliable and may be changed without notice.