

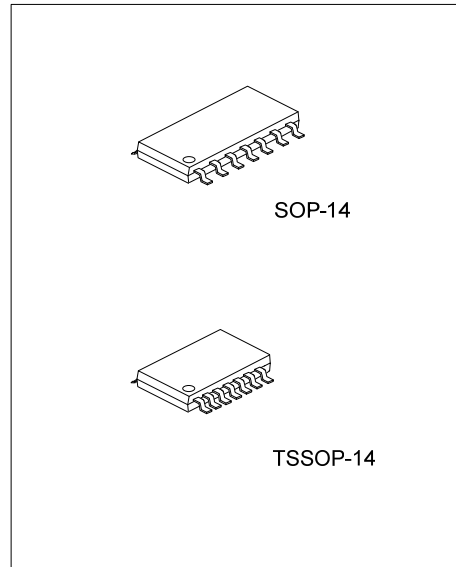


LV324

Preliminary

CMOS IC

GENERAL PURPOSE, LOW VOLTAGE, RAIL-TO-RAIL OUTPUT OPERATIONAL AMPLIFIERS



DESCRIPTION

The UTC LV324 is a quad op amp with low supply current and low voltage (2.7~5.5V). It brings nice performance to low voltage and low power systems. With a 1MHz unity-gain frequency. The UTC LV324 has a guaranteed 1V//μs slew rate and low supply current. It provides heavy rail-to-rail (R-to-R) output swing loads and the input common-mode voltage range including ground. Besides, it is also capable for comfortably driving large capacitive loads.

The UTC LV324 has bipolar input and CMOS output for improved noise performance and higher output current drive. It's the most cost effective solution for the applications where low voltage operation, space saving and low price are required.

FEATURES

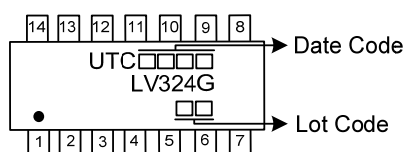
- * 4-Channels Op amps
- * Rail-to-Rail Output Swing
- * Widely Input Common-Mode Voltage Range
- * Low Voltage Operation
- * Low Supply Current: Typ.=410μA @ V⁺ =5V, V⁻=0V
- * Perfect AC characteristics:
 - GBW: Typ.=1MHz
 - SR: Typ.=1V/μs
 - φ_m: Typ.=60Deg
 - G_m: Typ.=10dB.

ORDERING INFORMATION

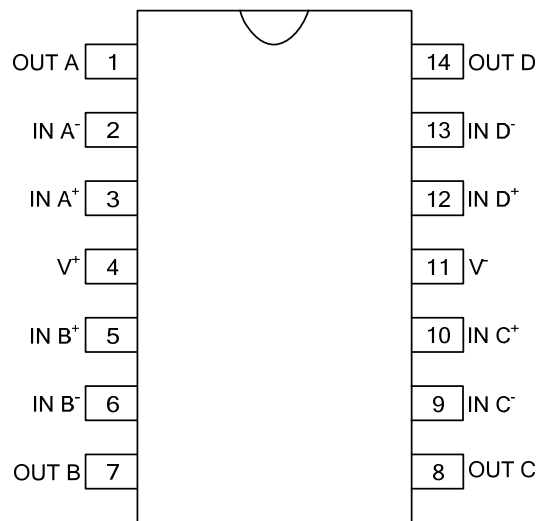
Ordering Number	Package	Packing
LV324G-S14-R	SOP-14	Tape Reel
LV324G-P14-R	TSSOP-14	Tape Reel

<p>LV324G-S14-R</p> <ul style="list-style-type: none"> (1)Packing Type (2)Package Type (3)Green Package 	<ul style="list-style-type: none"> (1) R: Tape Reel (2) S14: SOP-14, P14: TSSOP-14 (3) G: Halogen Free and Lead Free
--	---

MARKING



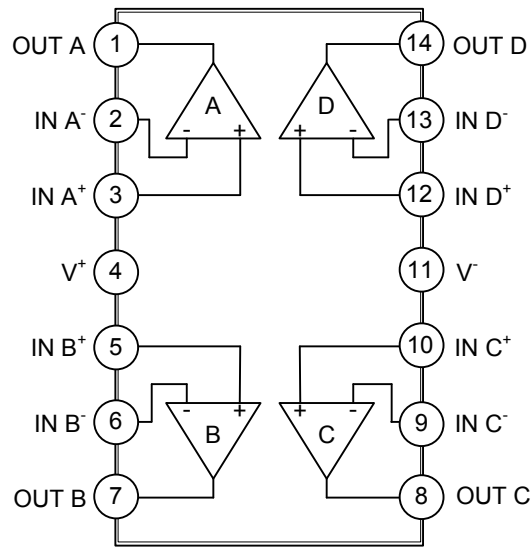
■ PIN CONFIGURATION



■ PIN DESCRIPTION

PIN NO.	PIN NAME	FUNCTION
1	OUT A	Output of channel A
2	IN A ⁻	Inverting Input of Channel A
3	IN A ⁺	Non-Inverting Input of Channel A
4	V ⁺	Positive of Supply Voltage
5	IN B ⁺	Non-Inverting Input of Channel B
6	IN B ⁻	Inverting Input of Channel B
7	OUT B	Output of channel B
8	OUT C	Output of channel C
9	IN C ⁻	Inverting Input of Channel C
10	IN C ⁺	Non-Inverting Input of Channel C
11	V ⁻	Negative of Supply Voltage
12	IN D ⁺	Non-Inverting Input of Channel D
13	IN D ⁻	Inverting Input of Channel D
14	OUT D	Output of channel D

■ BLOCK DIAGRAM



■ ABSOLUTE MAXIMUM RATING (Note)

PARAMETER	SYMBOL	RATINGS	UNIT
Differential Input Voltage	V_{IDM}	\pm Supply Voltage	V
Supply Voltage (V^+ - V^-)	V^+ - V^-	5.5	V
Output Short Current to V^+	$I_{O(SC)}$	Note 1	A
Output Short Current to V^-	$I_{O(SC)}$	Note 2	A
Infrared or Convection (20sec)		235	$^{\circ}$ C
Operating Ratings			
Supply Voltage	V^+ - V^-	2.7 ~ 5.5	V
Temperature Range	T_A	-40 ~ +85	$^{\circ}$ C
Junction Temperature	T_J	150	$^{\circ}$ C
Storage Temperature Range	T_{STG}	-65 ~ 150	$^{\circ}$ C

Notes: 1. Absolute maximum ratings are those values beyond which the device could be permanently damaged.

Absolute maximum ratings are stress ratings only and functional device operation is not implied.

2. Shorting output to V^+ will adversely affect reliability.

3. Shorting output to V^- will adversely affect reliability.

■ THERMAL DATA

PARAMETER	SYMBOL	RATINGS	UNIT
Thermal Resistance (Note)	SOP-14	145	$^{\circ}$ C/W
	TSSOP-14	155	$^{\circ}$ C/W

Note: All numbers are typical, and apply for packages soldered directly onto a PC board in still air.

■ 2.7V ELECTRICAL CHARACTERISTICS

All limits guaranteed for $T_J=25^{\circ}$ C, $V^+=2.7$ V, $V^-=0$ V, $V_{CM}=1.0$ V, $V_{OUT}=V^+/2$ and $R_L>1$ M Ω , unless otherwise specified.

PARAMETER	SYMBOL	TEST CONDITIONS	MIN (Note 6)	TYP (Note 5)	MAX (Note 6)	UNIT
DC CHARACTERISTICS						
Input Offset Voltage	V_{OS}			1.7	7	mV
Input Offset Voltage Average Drift	TCV_{OS}			5		μ V/ $^{\circ}$ C
Input Bias Current	I_B			11	250	nA
Input Offset Current	I_{OS}			5	50	nA
Common Mode Rejection Ratio	CMRR	$0V \leq V_{CM} \leq 1.7V$	50	63		dB
Power Supply Rejection Ratio	PSRR	$2.7V \leq V^+ \leq 5V$, $V_O=1V$	50	60		dB
Input Common-Mode Voltage Range	V_{CM}	For CMRR \geq 50dB	0	-0.2		V
				1.9	1.7	V
Output Swing	V_{OUT}	$R_L=10$ k Ω to 1.35V	V^+-100	V^+-10		mV
				60	180	mV
Supply Current	I_S	All four amplifiers		260	680	μ A
AC CHARACTERISTICS						
Gain-Bandwidth Product	GBWP	$C_L=200$ pF		1		MHZ
Phase Margin	ϕ_m			60		Deg
Gain Margin	Gm			10		dB
Input-Referred Voltage Noise	e_n	f=1kHz		46		nV/ \sqrt HZ
Input-Referred Current Noise	i_n	f=1kHz		0.17		pA/ \sqrt HZ

■ 5V ELECTRICAL CHARACTERISTICS(Cont.)

All limits guaranteed for $T_J=25^\circ\text{C}$, $V^+=5\text{V}$, $V^-=0\text{V}$, $V_{\text{CM}}=2.0\text{V}$, $V_O=V^+/2$ and $R_L>1\text{M}\Omega$, unless otherwise specified.
Boldface limits apply at the temperature extremes.

PARAMETER	SYMBOL	TEST CONDITIONS	MIN (Note 6)	TYP (Note 5)	MAX (Note 6)	UNIT
DC CHARACTERISTICS						
Input Offset Voltage	V_{OS}			1.7	7	mV
					9	mV
Input Offset Voltage Average Drift	TCV_{OS}			5		$\mu\text{V}/^\circ\text{C}$
Input Bias Current	I_{B}			11	250	nA
					500	nA
Input Offset Current	I_{OS}			5	50	nA
					150	nA
Common Mode Rejection Ratio	CMRR	$0\text{V}\leq V_{\text{CM}}\leq 4\text{V}$	50	65		dB
Power Supply Rejection Ratio	PSRR	$2.7\text{V}\leq V^+\leq 5\text{V}$, $V_O=1\text{V}$, $V_{\text{CM}}=1\text{V}$	50	60		dB
Input Common-Mode Voltage Range	V_{CM}	For $\text{CMRR}\geq 50\text{dB}$	0	-0.2		V
				4.2	4	V
Large Signal Voltage Gain (Note 7)	A_v		15	100		V/mV
			10			V/mV
Output Swing	V_O	$R_L=2\text{k}\Omega$ to 2.5V	V^+-300	V^+-40		mV
			V^+-400			mV
				120	300	mV
		$R_L=10\text{k}\Omega$ to 2.5V			400	mV
			V^+-100	V^+-10		mV
			V^+-200			mV
		65	180	mV		
			280	mV		
Output Short Circuit Current	I_O	Sourcing, $V_O=0\text{V}$	5	60		mA
		Sourcing, $V_O=5\text{V}$	10	160		mA
Supply Current	I_S	All four amplifiers		410	830	μA
					1160	μA
AC CHARACTERISTICS						
Slew Rate	SR	(Note 8)		1		V/ μs
Gain-Bandwidth Product	GBWP	$C_L=200\text{pF}$		1		MHz
Phase Margin	Φ_m			60		Deg
Gain Margin	G_m			10		dB
Input-Referred Voltage Noise	e_n	$f=1\text{kHz}$		39		$\text{nV}/\sqrt{\text{Hz}}$
Input-Referred Current Noise	i_n	$f=1\text{kHz}$		0.21		$\text{pA}/\sqrt{\text{Hz}}$

Notes: 4. The maximum power dissipation is a function of $T_{\text{J(MAX)}}$, θ_{JA} . The maximum allowable power dissipation at any ambient temperature is $P_D=(T_{\text{J(MAX)}}-T_A)/\theta_{\text{JA}}$. All numbers apply for packages soldered directly onto a PC Board.

5. Typical values represent the most likely parametric norm as determined at the time of characterization. Actual typical values may vary over time and will also depend on the application and configuration. The typical values are not tested and are not guaranteed on shipped production material.

6. All limits are guaranteed by testing or statistical analysis.

7. R_L is connected to V^- . The output voltage is $0.5\text{V}\leq V_O\leq 4.5\text{V}$.

8. Connected as voltage follower with 3V step input. Number specified is the slower of the positive and negative slew rates.

UTC assumes no responsibility for equipment failures that result from using products at values that exceed, even momentarily, rated values (such as maximum ratings, operating condition ranges, or other parameters) listed in products specifications of any and all UTC products described or contained herein. UTC products are not designed for use in life support appliances, devices or systems where malfunction of these products can be reasonably expected to result in personal injury. Reproduction in whole or in part is prohibited without the prior written consent of the copyright owner. The information presented in this document does not form part of any quotation or contract, is believed to be accurate and reliable and may be changed without notice.