



PA3138

CMOS IC

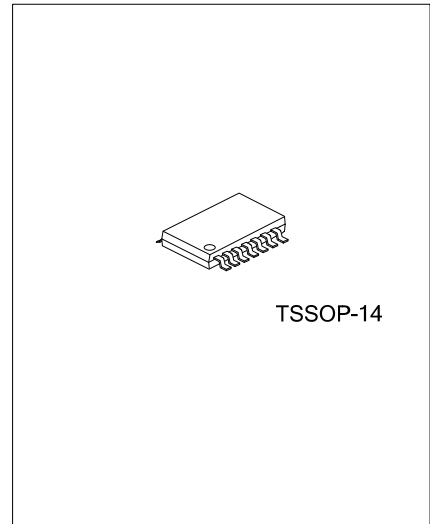
DIRECT HEADPHONE DRIVER WITH ADJUSTABLE GAIN

DESCRIPTION

The UTC **PA3138** is a pop-free stereo headphone amplifier with the integrated charge pump generating the negative supply rail which allows the removal of the output DC-blocking capacitors. The UTC **PA3138** provides a clean, pop-free ground-biased audio signal. The UTC **PA3138** is capable of driving 25mW into a 32-Ω load with 3.3-V supply voltage. The device has differential inputs and uses external resistors for flexible gain setting. Gain can be configured individually for each channel. The device can also be configured as a second-order low-pass filter and is ideal for interfacing with PWM audio sources.

The UTC **PA3138** has built-in active-mute control for pop-free audio on/off control. The UTC **PA3138** has an external under-voltage detector that mutes the output when monitored voltage drop below set value.

Using the UTC **PA3138** in audio products can reduce component count considerably compared to traditional headphone amplifiers.



FEATURES

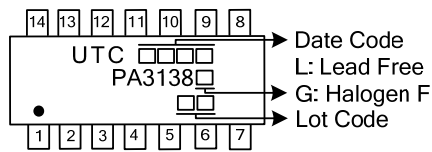
- * Low THD+N<0.01% at 10mW Into 32Ω
- * Stereo Direct Headphone Amplifier driver
40 mW Into 32Ω With 3.3-V Supply
- * Integrated charge pump Generates Negative Supply Rail
- * High SNR, >90dB
- * Ground-Referenced Outputs Eliminate DC-Blocking Capacitors
- * Differential Input and Single-Ended Output
- * Adjustable Gain by External Gain-Setting Resistors
- * Pop-Free Under-Voltage Protection
- * Configurable as a Second-Order Low-Pass Filter
Ideal for PWM Audio Sources
- * Short-Circuit Protection
- * Click- and Pop-Reduction Circuitry
- * Active Mute Control for Pop-Free Audio On/Off Control

ORDERING INFORMATION

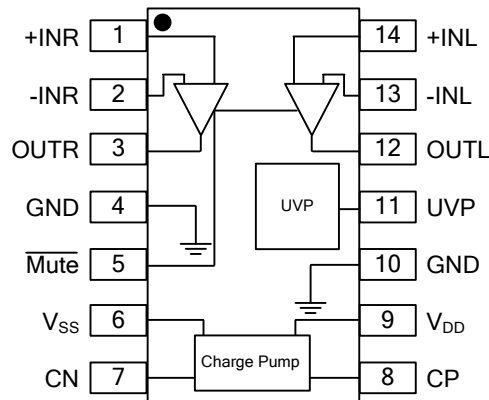
Ordering Number		Package	Packing
Lead Free	Halogen Free		
PA3138L-P14-R	PA3138G-P14-R	TSSOP-14	Tape Reel

<p>PA3138G-P14-R</p> <p>(1) Packing Type (2) Package Type (3) Green Package</p>	<p>(1) R: Tape Reel (2) P14: TSSOP-14 (3) G: Halogen Free and Lead Free, L: Lead Free</p>
---	---

MARKING



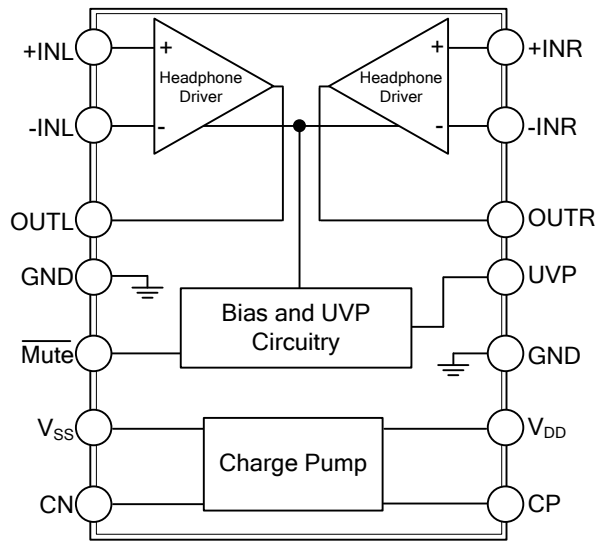
PIN CONFIGURATION



PIN DESCRIPTION

PIN NO.	PIN NAME	DESCRIPTION
1	+INR	Right-channel OPAMP positive input
2	-INR	Right-channel OPAMP negative input
3	OUTR	Right-channel OPAMP output
4, 10	GND	Ground
5	Mute	Mute, active-low
6	V _{SS}	Supply voltage
7	CN	Charge-pump flying capacitor negative connection
8	CP	Charge-pump flying capacitor positive connection
9	V _{DD}	Positive supply
11	UVP	Under-voltage protection; internal pull-up, unconnected if UVP function is unused.
12	OUTL	Left-channel OPAMP output
13	-INL	Left-channel OPAMP negative input
14	+INL	Left-channel OPAMP positive input

■ BLOCK DIAGRAM



■ ABSOLUTE MAXIMUM RATING over operating free-air temperature range (unless otherwise noted)

PARAMETER	SYMBOL	RATINGS	UNIT
V _{DD} to GND		-0.3~ 4	V
Input Voltage, V _I		V _{SS} -0.3 ~ V _{DD} +0.3	V
Minimum Load Impedance-Line Outputs-OUTL, OUTR		12.8	Ω
Mute to GND, UVP to GND		-0.3 ~ V _{DD} +0.3	V
Maximum Operating Junction Temperature Range	T _J	-40 ~ +150	°C
Storage Temperature Range	T _{STG}	-40 ~ +150	°C

Note: Absolute maximum ratings are those values beyond which the device could be permanently damaged. Absolute maximum ratings are stress ratings only and functional device operation is not implied.

■ THERMAL INFORMATION

PARAMETER	SYMBOL	RATINGS	UNIT
Junction-to-Ambient	θ _{JA}	130	°C/W
Junction-to-Case (top)	θ _{JC}	49	°C/W

Note: For more information about traditional and new thermal metrics, see the IC Package Thermal Metrics application report, SPRA953.

■ RECOMMENDED OPERATING CONDITIONS

PARAMETER	SYMBOL	TEST CONDITIONS	MIN	TYP	MAX	UNIT
Power Supply	V _{DD}	DC supply voltage	3	3.3	3.6	V
Load Impedance	R _L		16	32		Ω
Low-Level Input Voltage	V _{IL}	$\overline{\text{Mute}}$		40		%V _{DD}
High-Level Input Voltage	V _{IH}	$\overline{\text{Mute}}$		60		%V _{DD}
Ambient Temperature	T _A		-40	25	85	°C

■ ELECTRICAL CHARACTERISTICS

V_{DD}=3.3V, R_{DL}=32Ω, R_{fb}=30kΩ, R_{IN}=15kΩ, T_A=25°C, Charge pump: C_P=1μF (unless otherwise noted)

PARAMETER	SYMBOL	TEST CONDITIONS	MIN	TYP	MAX	UNIT
Output Offset Voltage	V _{OS}	V _{DD} =3.3V		0.5	1	mV
Power-Supply Rejection Ratio	PSRR			65		dB
High-Level Output Voltage	V _{OH}	V _{DD} =3.3V	3.1			V
Low-Level Output Voltage	V _{OL}	V _{DD} =3.3V			-3.05	V
External UVP Detect Voltage	V _{UVP_EX}			1.25		V
External UVP Detect Hysteresis Current	V _{UVP_EX_HYSTE} RESIS			5		μA
Charge-pump Switching Frequency	f _{CP}		200	300	400	kHz
High-Level Input Current, $\overline{\text{Mute}}$	I _{IH}	V _{DD} =3.3V, V _{IH} =V _{DD}			1	μA
Low-Level Input Current, $\overline{\text{Mute}}$	I _{IL}	V _{DD} =3.3V, V _{IL} =0V			1	μA
Supply Current	I _{DD}	V _{DD} =3.3V, no load, $\overline{\text{Mute}}$ = V _{DD} , no load	5	14	25	mA
		V _{DD} =3.3V, no load, $\overline{\text{Mute}}$ = GND, disabled		14		mA

■ OPERATING CHARACTERISTICS

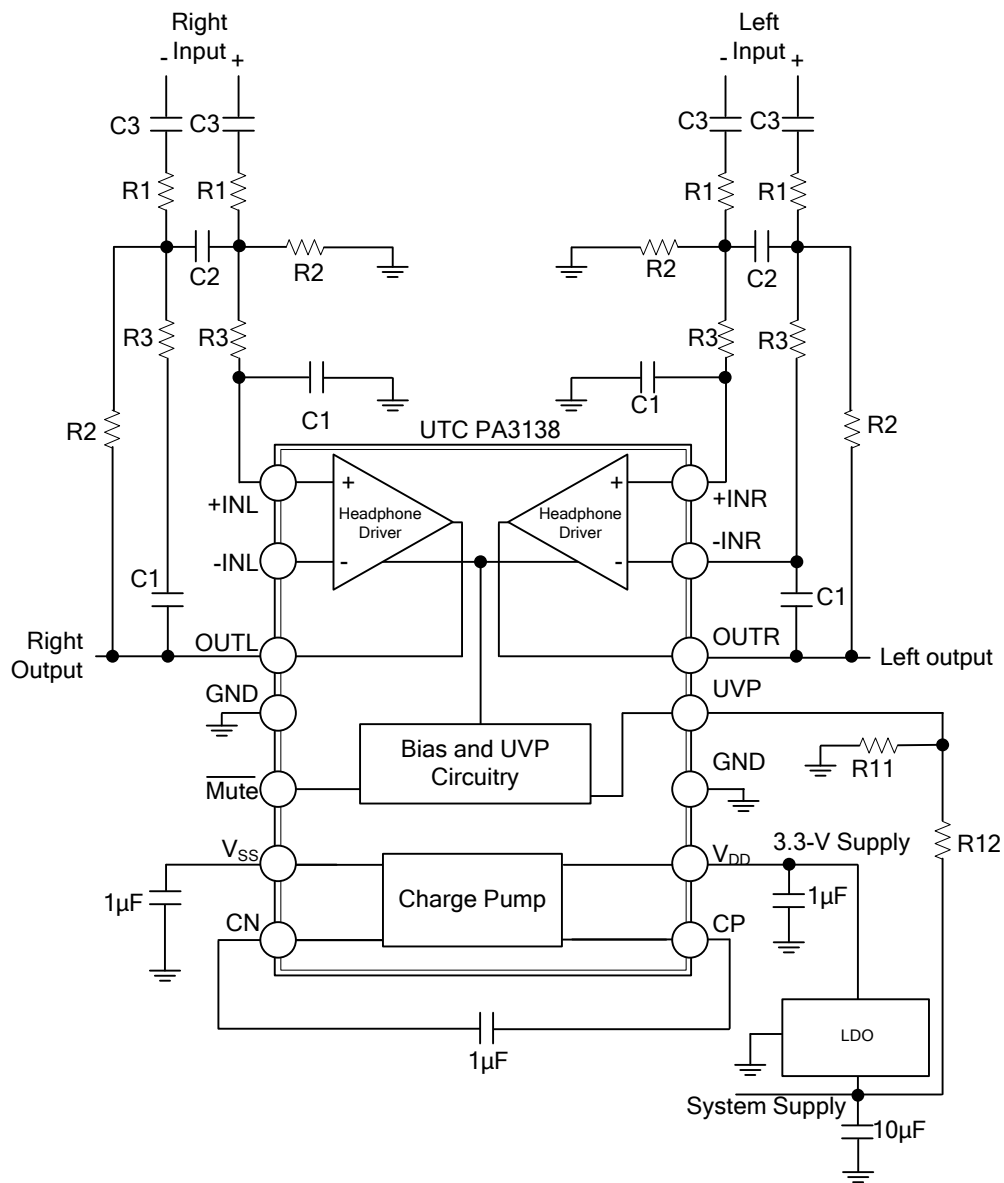
$V_{DD}=3.3V$, $R_{DL}=32\Omega$, $R_{fb}=30k\Omega$, $R_{IN}=15k\Omega$, $T_A=25^\circ C$, Charge pump: $C_P=1\mu F$ (unless otherwise noted)

PARAMETER	SYMBOL	TEST CONDITIONS	MIN	TYP	MAX	UNIT
Output Power, Outputs in Phase	P_O	THD+N=1%, $V_{DD}=3.3V$, $f=1kHz$, $R_L=32\Omega$		30		mW
Total Harmonic Distortion Plus Noise	THD+N	$V_{DD}=3.3V$, $f=1kHz$, $R_{LD}=32\Omega$, $P_O=10mW$		0.01%		
Signal-to-Noise Ratio (Note 1)	SNR	A-weighted		96		dB
Dynamic Range (Note 2)	DNR	A-weighted	90	100		dB
Noise Voltage	V_N	A-weighted		13		μV
Output Impedance When Muted	Z_O	Mute =GND		110		Ω
Input-to-Output Attenuation When Muted		Mute =GND		80		dB
Crosstalk-L to R, R to L		$P_O=20mW$		-65		dB
Current Limit	I_{LIMIT}	$PV_{DD}=3.3V$		50		mA

Notes: 1. SNR is calculated relative to 25-mW output.

2. DNR is calculated relative to output at 1% THD+N.

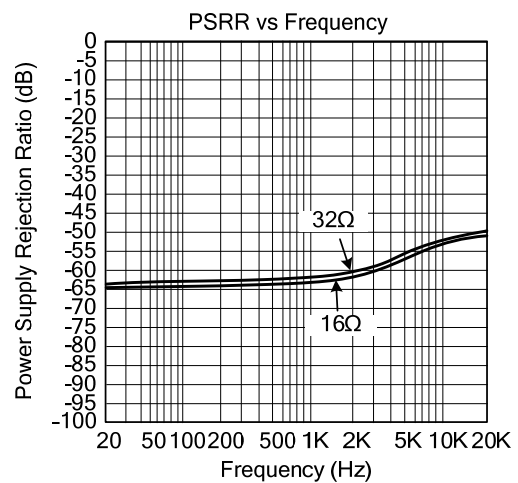
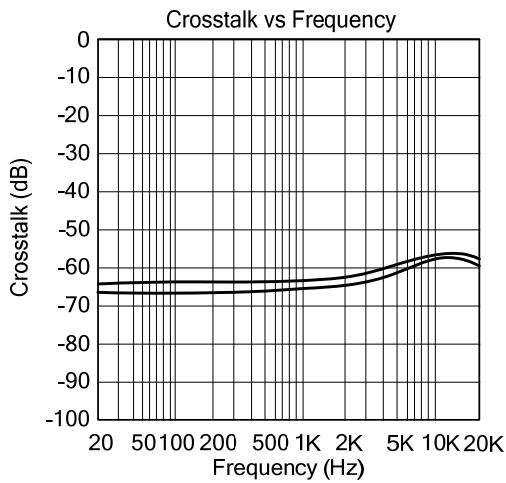
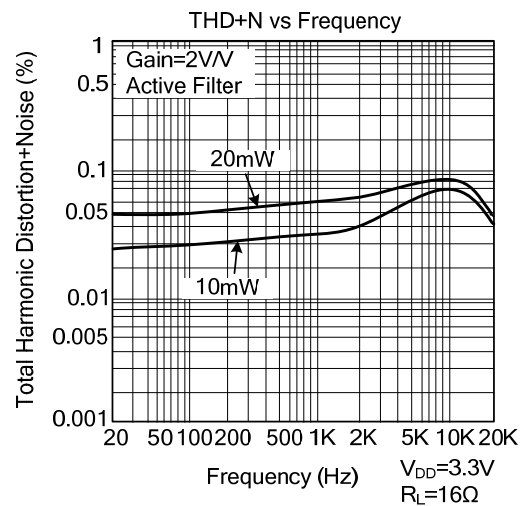
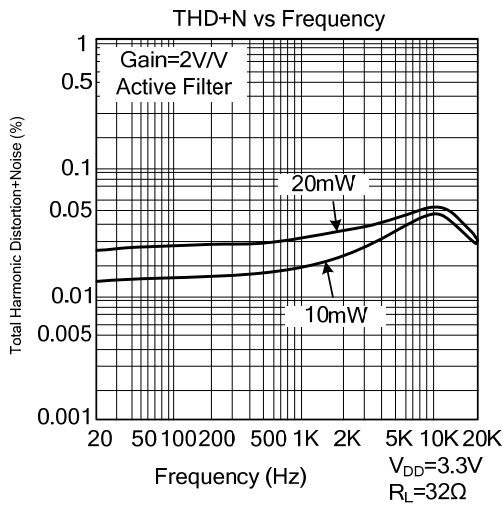
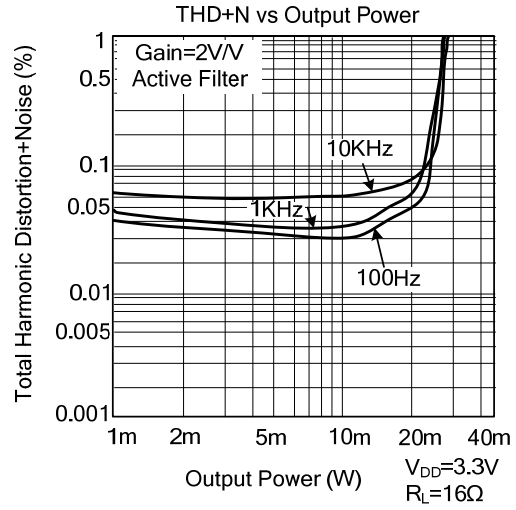
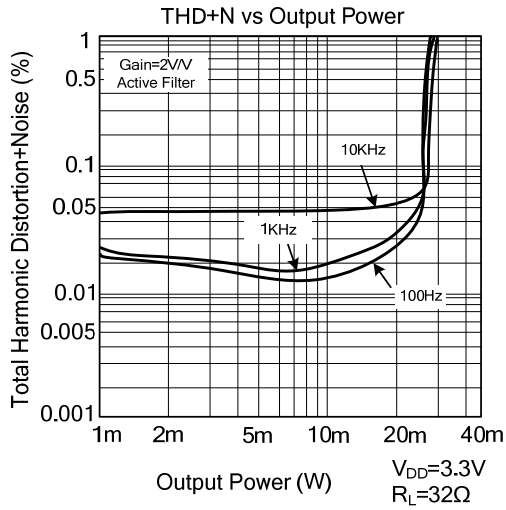
■ TYPICAL APPLICATION CIRCUIT



R1=15k Ω , R2=30k Ω , R3=43k Ω , C1=47pF, C2=180pF

■ TYPICAL CHARACTERISTICS

$V_{DD}=3.3\text{ V}$, $T_A=25^\circ\text{C}$, $C(\text{PUMP})=C(V_{SS})=1\mu\text{F}$, $C_{IN}=2.2\mu\text{F}$, $R_{IN}=15\text{k}\Omega$, $R_{FB}=30\text{k}\Omega$ (unless otherwise noted)



UTC assumes no responsibility for equipment failures that result from using products at values that exceed, even momentarily, rated values (such as maximum ratings, operating condition ranges, or other parameters) listed in products specifications of any and all UTC products described or contained herein. UTC products are not designed for use in life support appliances, devices or systems where malfunction of these products can be reasonably expected to result in personal injury. Reproduction in whole or in part is prohibited without the prior written consent of the copyright owner. The information presented in this document does not form part of any quotation or contract, is believed to be accurate and reliable and may be changed without notice.