



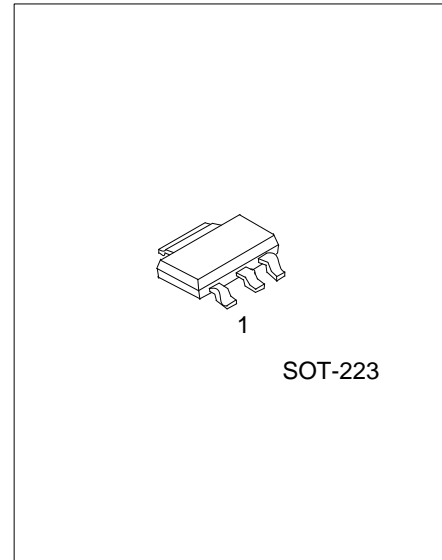
PZT5551

NPN SILICON TRANSISTOR

HIGH VOLTAGE SWITCHING TRANSISTOR

■ **FEATURES**

- * High Collector-Emitter Voltage:
V_{CEO}=160V
- * High current gain



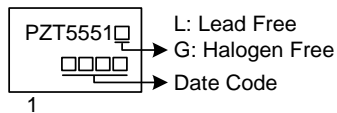
■ **ORDERING INFORMATION**

| Ordering Number | | Package | Pin Assignment | | | Packing |
|------------------|------------------|---------|----------------|---|---|-----------|
| Lead Free | Halogen Free | | 1 | 2 | 3 | |
| PZT5551L-x-AA3-R | PZT5551G-x-AA3-R | SOT-223 | B | C | E | Tape Reel |

Note: Pin Assignment: B: Base C: Collector E: Emitter

| | |
|-------------------------|--|
| <p>PZT5551G-x-AA3-R</p> | <p>(1) R: Tape Reel (2) AA3: SOT-223 (3) xx: refer to Classification of h_{FE} (4) G: Halogen Free and Lead Free, L: Lead Free</p> |
|-------------------------|--|

■ **MARKING**



■ **ABSOLUTE MAXIMUM RATINGS** ($T_A = 25^\circ\text{C}$, unless otherwise specified)

| PARAMETER | SYMBOL | RATINGS | UNIT |
|--------------------------------|-----------|------------|------------------|
| Collector-Base Voltage | V_{CBO} | 180 | V |
| Collector-Emitter Voltage | V_{CEO} | 160 | V |
| Emitter-Base Voltage | V_{EBO} | 6 | V |
| DC Collector Current | I_C | 600 | mA |
| Power Dissipation | P_C | 2 | W |
| Operating Junction Temperature | T_J | +150 | $^\circ\text{C}$ |
| Storage Temperature | T_{STG} | -65 ~ +150 | $^\circ\text{C}$ |

Note Absolute maximum ratings are those values beyond which the device could be permanently damaged. Absolute maximum ratings are stress ratings only and functional device operation is not implied.

■ **THERMAL DATA**

| PARAMETER | SYMBOL | RATINGS | UNIT |
|---------------------|---------------|---------|--------------------|
| Junction to Ambient | θ_{JA} | 62.5 | $^\circ\text{C/W}$ |

■ **ELECTRICAL CHARACTERISTICS** ($T_A = 25^\circ\text{C}$, unless otherwise specified)

| PARAMETER | SYMBOL | TEST CONDITIONS | MIN | TYP | MAX | UNIT |
|--------------------------------------|---------------|---|-----|-----|------|------|
| Collector-Base Breakdown Voltage | BV_{CBO} | $I_C=100\mu\text{A}, I_E=0$ | 180 | | | V |
| Collector-Emitter Breakdown Voltage | BV_{CEO} | $I_C=1\text{mA}, I_B=0$ | 160 | | | V |
| Emitter-Base Breakdown Voltage | BV_{EBO} | $I_E=10\mu\text{A}, I_C=0$ | 6 | | | V |
| Collector Cut-off Current | I_{CBO} | $V_{CB}=120\text{V}, I_E=0$ | | | 50 | nA |
| Emitter Cut-off Current | I_{EBO} | $V_{BE}=4\text{V}, I_C=0$ | | | 50 | nA |
| DC Current Gain (Note) | h_{FE} | $V_{CE}=5\text{V}, I_C=1\text{mA}$ | 80 | | | |
| | | $V_{CE}=5\text{V}, I_C=10\text{mA}$ | 80 | 160 | 400 | |
| | | $V_{CE}=5\text{V}, I_C=50\text{mA}$ | 80 | | | |
| Collector-Emitter Saturation Voltage | $V_{CE(SAT)}$ | $I_C=10\text{mA}, I_B=1\text{mA}$ | | | 0.15 | V |
| | | $I_C=50\text{mA}, I_B=5\text{mA}$ | | | 0.2 | |
| Base-Emitter Saturation Voltage | $V_{BE(SAT)}$ | $I_C=10\text{mA}, I_B=1\text{mA}$ | | | 1 | V |
| | | $I_C=50\text{mA}, I_B=5\text{mA}$ | | | 1 | |
| Current Gain Bandwidth Product | f_T | $V_{CE}=10\text{V}, I_C=10\text{mA}, f=100\text{MHz}$ | 100 | | 300 | MHz |
| Output Capacitance | C_{ob} | $V_{CB}=10\text{V}, I_E=0, f=1\text{MHz}$ | | | 6.0 | pF |
| Noise Figure | NF | $I_C=0.25\text{mA}, V_{CE}=5\text{V}$ $R_S=1\text{k}\Omega, f=10\text{Hz} \sim 15.7\text{kHz}$ | | | 8 | dB |

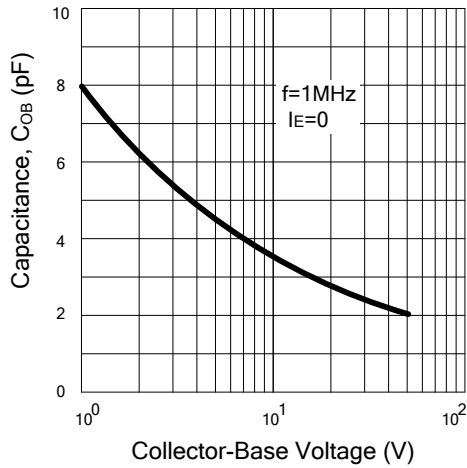
Note: Pulse test: $P_W < 300\mu\text{s}$, Duty Cycle $< 2\%$

■ **CLASSIFICATION OF h_{FE}**

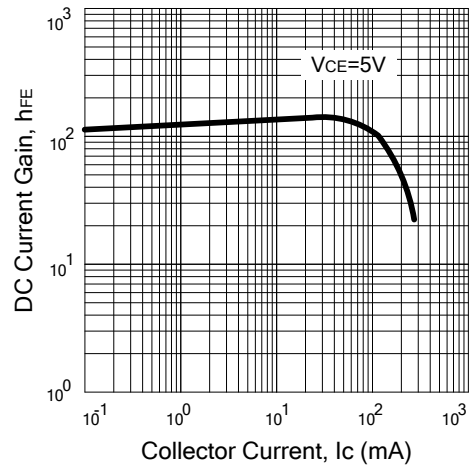
| RANK | A | B | C |
|-------|--------|---------|---------|
| RANGE | 80-170 | 150-240 | 200-400 |

■ TYPICAL CHARACTERISTICS

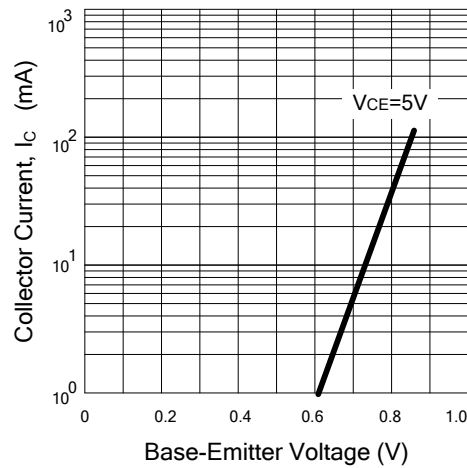
Capacitance vs. Collector-Base Voltage



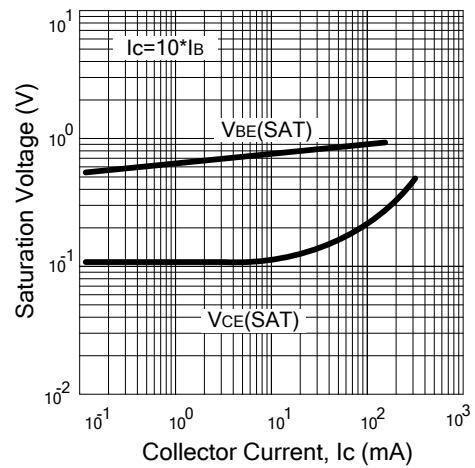
DC Current Gain vs. Collector Current



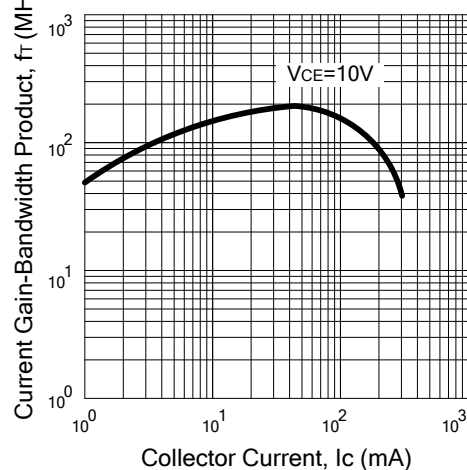
Collector Current vs. Base-Emitter Voltage



Saturation Voltage vs. Collector Current



Current Gain-Bandwidth product vs. Collector Current



UTC assumes no responsibility for equipment failures that result from using products at values that exceed, even momentarily, rated values (such as maximum ratings, operating condition ranges, or other parameters) listed in products specifications of any and all UTC products described or contained herein. UTC products are not designed for use in life support appliances, devices or systems where malfunction of these products can be reasonably expected to result in personal injury. Reproduction in whole or in part is prohibited without the prior written consent of the copyright owner. UTC reserves the right to make changes to information published in this document, including without limitation specifications and product descriptions, at any time and without notice. This document supersedes and replaces all information supplied prior to the publication hereof.