



RBA5104

Preliminary

LINEAR INTEGRATED CIRCUIT

FAN REMOTE CONTROL ENCODER

DESCRIPTION

UTC RBA5104 is a remote control encoder mainly used for Fan remote control, air cleaner, humidifier, heater and other electrical home appliance remote control application. 2 bits custom code options and maximum 8 input channels offers great freedom in application. **UTC RBA5104** uses a special coding technique to increase noise immunity to a very great extent.

FEATURES

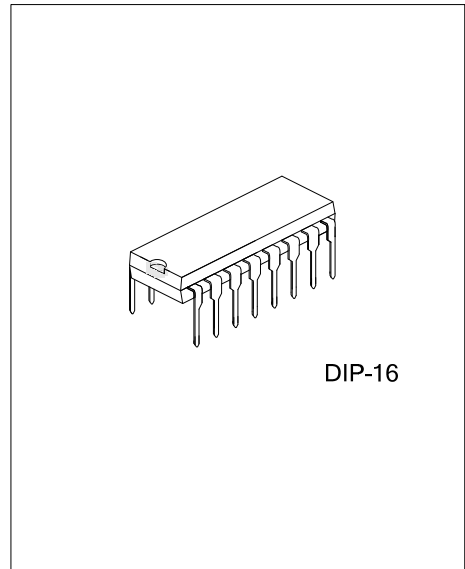
- * Wide operation voltage: $V_{CC}=2.2\sim 4.0V$
- * Noise immunity technique
- * 2 bits custom code
- * 8 input channels maximum
- * Uses 455kHz crystal oscillator
- * Key-in oscillation, reduce static current dissipation.
- * 38kHz carrier transmits output.
- * LED indicates work state

ORDERING INFORMATION

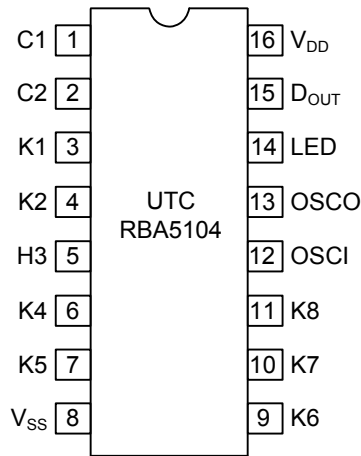
Ordering Number		Package	Packing
Lead Free	Halogen Free		
RBA5104L-D16-T	RBA5104G-D16-T	DIP-16	Tube

Note: xx: Output Voltage, refer to Marking Information.

<p>RBA5104G-D16-T</p>	<p>(1) T: Tube</p> <p>(2) D16: DIP-16</p> <p>(3) L: Lead Free, G: Halogen Free</p>
-----------------------	--



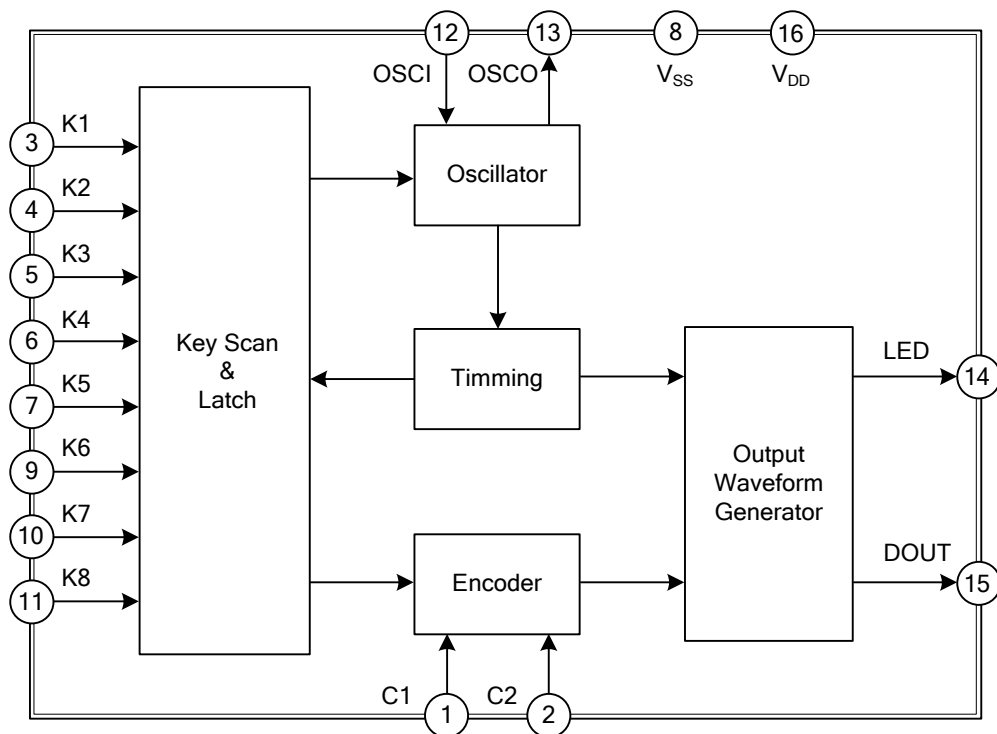
■ PIN CONFIGURATION



■ PIN DESCRIPTION

PIN NO.	PIN NAME	DESCRIPTION
1~2	C1, C2	Custom Code Option: Built In Pull-Up Resistor, Grounding Denote "0", Floating Denote "1".
3~7	K1~K5	Key Input Pins, Built In Pull-Up Resistor.
8	V _{SS}	Negative Power Supply.
9~11	K6~K8	Key Input Pins, Built In Pull-Up Resistor.
12	OSCI	455kHz Oscillator Input Pin.
13	OSCO	455kHz Oscillator Output Pin.
14	LED	LED Driver Output Indication
15	DOUT	Code Data Output (Contain 38kHz Carrier Signal)
16	V _{DD}	Positive Power Supply.

■ BLOCK DIAGRAM



■ ABSOLUTE MAXIMUM RATING ($T_A=25^{\circ}\text{C}$)

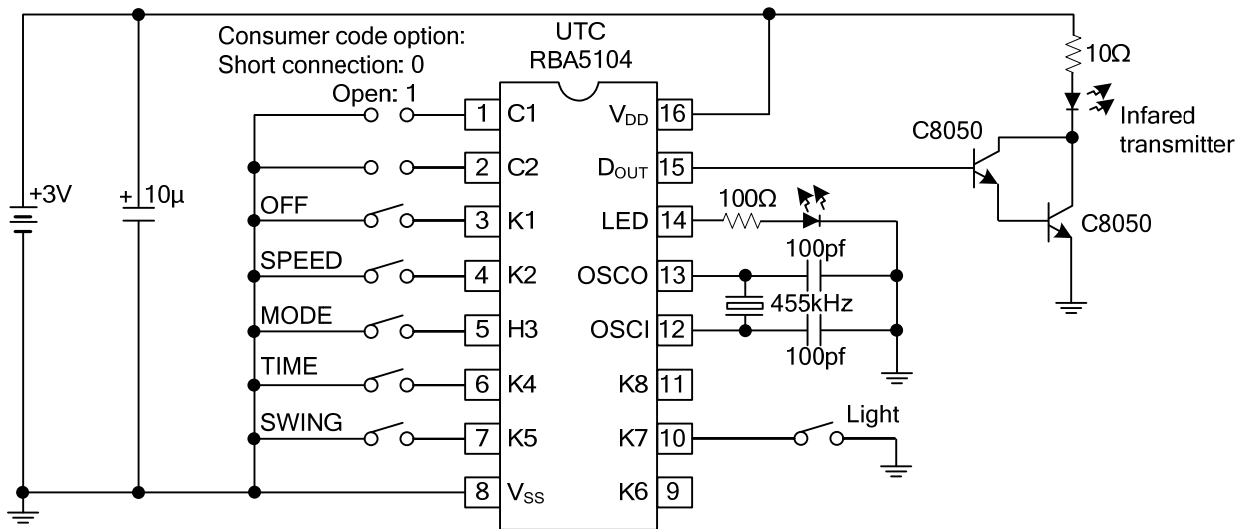
PARAMETER	SYMBOL	RATINGS	UNIT
Supply Voltage	V_{DD}	-0.3~6.0	V
Input/Output Voltage	V_{IN}	$V_{SS}-0.3V\sim V_{DD}+0.3V$	V
Power Dissipation	P_D	500	mW
Operating Temperature	T_{OPR}	-10 ~ +70	$^{\circ}\text{C}$
Storage Temperature	T_{STG}	-40~+125	$^{\circ}\text{C}$

Note: Absolute maximum ratings are those values beyond which the device could be permanently damaged. Absolute maximum ratings are stress ratings only and functional device operation is not implied.

■ DC ELECTRICAL CHARACTERISTICS ($T_A=25^{\circ}\text{C}$, $V_{DD}=3\text{V}$, unless other specified)

PARAMETER	SYMBOL	TEST CONDITIONS	MIN	TYP	MAX	UNIT
Supply Voltage	V_{DD}		2.0	3.0	4.0	V
Static Power Dissipation	I_{SB}	no load, oscillation is stopped, $C1=C2=1$		0.1		μA
		no load, oscillation is stopped, $C1=C2=0$		1.8		μA
DOUT Output High Current	I_{OH}	$V_{OH}=2.7\text{V}$		2.5		mA
DOUT Output Low Current	I_{OL}	$V_{OL}=0.3\text{V}$		-0.74		mA
High Input Voltage	V_{IH}		$0.7V_{DD}$		V_{DD}	V
Low Input Voltage	V_{IL}		0		$0.3V_{DD}$	V
LED High Output Current	I_{OH}	$V_{OH}=2.7\text{V}$		2.5	10	mA
LED Low Output Current	I_{OL}	$V_{OL}=0.3\text{V}$		-1.0		mA
Oscillation Frequency	f_{OSC}			455		kHz
Pull-up resistor at C1, C2	R_C	$V_{IN}=0\text{V}$		4		M Ω
Pull-up resistor at K1~K8	R_i	$V_{IN}=0\text{V}$		250		K Ω

■ TYPICAL APPLICATION CIRCUIT



UTC assumes no responsibility for equipment failures that result from using products at values that exceed, even momentarily, rated values (such as maximum ratings, operating condition ranges, or other parameters) listed in products specifications of any and all UTC products described or contained herein. UTC products are not designed for use in life support appliances, devices or systems where malfunction of these products can be reasonably expected to result in personal injury. Reproduction in whole or in part is prohibited without the prior written consent of the copyright owner. The information presented in this document does not form part of any quotation or contract, is believed to be accurate and reliable and may be changed without notice.