



# TF202

## N-CHANNEL JFET

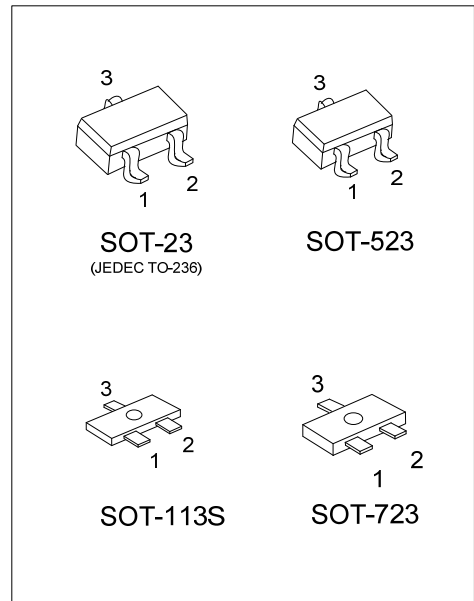
### N-CHANNEL JFET CAPACITOR MICROPHONE APPLICATIONS

■ DESCRIPTION

The UTC **TF202** uses advanced trench technology to provide excellent  $R_{DS(ON)}$ , low gate charge and operation with low gate voltages. This device is suitable for use in capacitor microphone applications.

■ FEATURES

- \*Suited for use in audio, telephone capacitor microphones.
- \*Good voltage characteristic.
- \*Good transient characteristic.



■ ORDERING INFORMATION

Ordering Number		Package	Pin Assignment			Packing
Lead Free	Halogen Free		1	2	3	
TF202L-xx-AE3-R	TF202G-xx-AE3-R	SOT-23	D	S	G	Tape Reel
TF202L-xx-AN3-R	TF202G-xx-AN3-R	SOT-523	D	S	G	Tape Reel
TF202L-xx-A3C-R	TF202G-xx-A3C-R	SOT-113S	D	S	G	Tape Reel
TF202L-xx-AQ3-R	TF202G-xx-AQ3-R	SOT-723	D	S	G	Tape Reel

Note: Pin Assignment: D: Drain S: Source G: Gate

<p>TF202G-xx-AE3-R</p> <p>(1)Packing Type (2)Package Type (3)Rank (4)Green Package</p>	<p>(1) R: Tape Reel (2) A3C: SOT-113S, AE3: SOT-23, AN3: SOT-523, AQ3: SOT-723 (3) x: refer to CLASSIFICATION OF <math>I_{DSS}</math> (4) G: Halogen Free and Lead Free, L: Lead Free</p>
--	---

■ MARKING

TF202-E3	TF202-E4	TF202-E5

■ ABSOLUTE MAXIMUM RATINGS (  $T_A=25^{\circ}\text{C}$ , unless otherwise specified )

PARAMETER	SYMBOL	RATING	UNIT
Gate Drain Voltage	$V_{GDO}$	-20	V
Gate Current	$I_G$	10	mA
Drain Current	$I_D$	10	mA
Power Dissipation	$P_D$	100	mW
Junction Temperature	$T_J$	+150	$^{\circ}\text{C}$
Storage Temperature	$T_{STG}$	-55 ~ +150	$^{\circ}\text{C}$

Note: Absolute maximum ratings are those values beyond which the device could be permanently damaged. Absolute maximum ratings are stress ratings only and functional device operation is not implied.

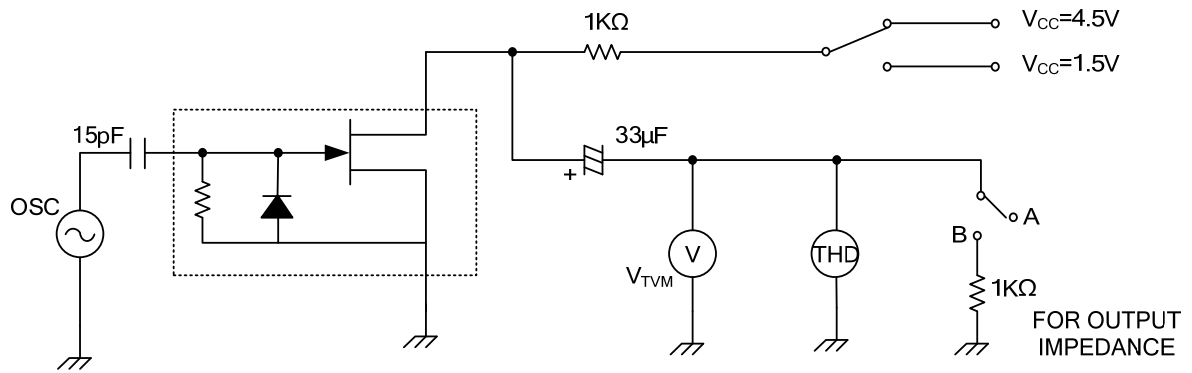
■ ELECTRICAL CHARACTERISTICS (  $T_A=25^{\circ}\text{C}$ , unless otherwise specified )

PARAMETER	SYMBOL	TEST CONDITIONS	MIN	TYP	MAX	UNIT
Gate Drain Breakdown Voltage	$BV_{GDO}$	$I_G=-100\mu\text{A}$	-20			V
Gate Source Cut off Voltage	$V_{GS(OFF)}$	$V_{DS}=2\text{V}, I_D=1\mu\text{A}$		-0.38		V
Zero-Gate Voltage Drain Current	$I_{DSS}$	$V_{DS}=2\text{V}, V_{GS}=0\text{V}$	100		350	$\mu\text{A}$
Drain Current	$I_D$	$V_{DD}=2\text{V}, R_L=2.2\text{k}\Omega, C_g=5\text{pF}$	$I_{DSS}=100\mu\text{A}$	98		$\mu\text{A}$
			$I_{DSS}=250\mu\text{A}$	244		$\mu\text{A}$
			$I_{DSS}=350\mu\text{A}$	337		$\mu\text{A}$
Forward Transfer Admittance	$Y_{fs}$	$V_{DS}=2\text{V}, V_{GS}=0\text{V}$		1.43		mS
Input Capacitance	$C_{ISS}$	$V_{DS}=2, V_{GS}=0, f=1\text{MHz}$		5.0		pF
Voltage Gain	$G_V$	$V_{DD}=2\text{V}, R_L=2.2\text{k}\Omega, C_g=5\text{pF}, f=1\text{kHz}, V_{IN}=10\text{mV}$	$I_{DSS}=100\mu\text{A}$	0.1		dB
			$I_{DSS}=250\mu\text{A}$	1.95		dB
			$I_{DSS}=350\mu\text{A}$	2.25		dB
Delta Voltage Gain	$\Delta G_V$	$V_{IN}=10\text{mV}, R_L=2.2\text{k}\Omega, C_g=5\text{pF}, f=1\text{kHz}, V_{DD}=2\text{V to }1.5\text{V}$		-0.5		dB
Frequency Characteristic	$\Delta G_V(f)$	$V_{IN}=10\text{mV}, R_L=2.2\text{k}\Omega, C_g=5\text{pF}, V_{DD}=2\text{V}, f=1\text{kHz to }110\text{kHz}$		-0.2		dB
Output Noise Voltage	$V_{NO}$	$V_{DD}=2\text{V}, C_g=5\text{pF}, A\text{-curve filter}$	$R_L=1\text{k}\Omega$	-107		dB
			$R_L=2.2\text{k}\Omega$	-102		dB
Total Harmonic distortion	THD	$V_{DD}=2\text{V}, R_L=2.2\text{k}\Omega, C_g=5\text{pF}, f=1\text{kHz}, V_{IN}=50\text{mV}$		0.9		%

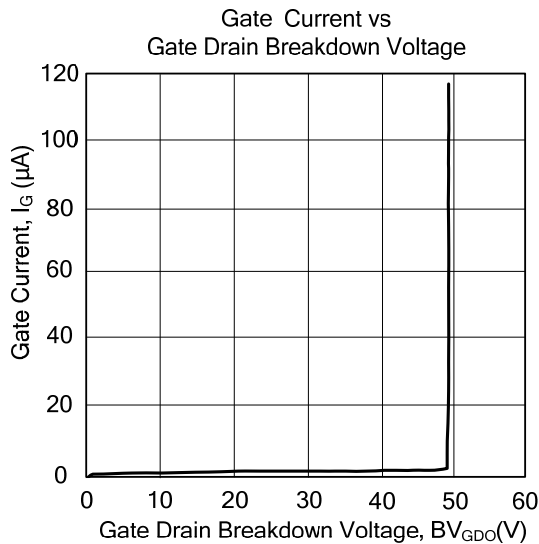
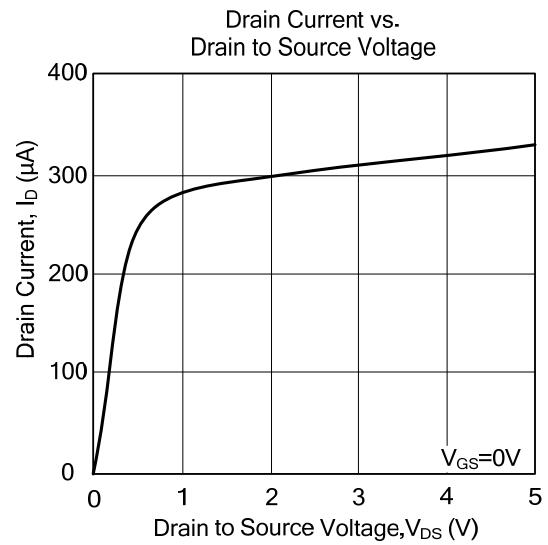
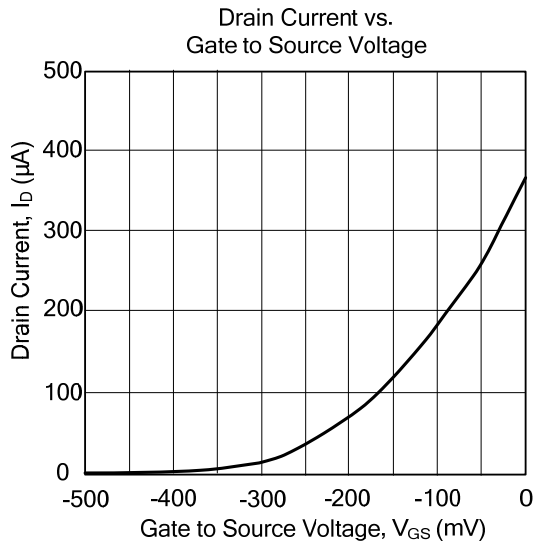
■ CLASSIFICATION OF  $I_{DSS}$

RANK	E3	E4	E5
RANGE	100-170	140-240	210-350

■ TEST CIRCUIT ( $T_A=25^\circ\text{C}$ )



■ TYPICAL CHARACTERISTICS



UTC assumes no responsibility for equipment failures that result from using products at values that exceed, even momentarily, rated values (such as maximum ratings, operating condition ranges, or other parameters) listed in products specifications of any and all UTC products described or contained herein. UTC products are not designed for use in life support appliances, devices or systems where malfunction of these products can be reasonably expected to result in personal injury. Reproduction in whole or in part is prohibited without the prior written consent of the copyright owner. UTC reserves the right to make changes to information published in this document, including without limitation specifications and product descriptions, at any time and without notice. This document supersedes and replaces all information supplied prior to the publication hereof.