



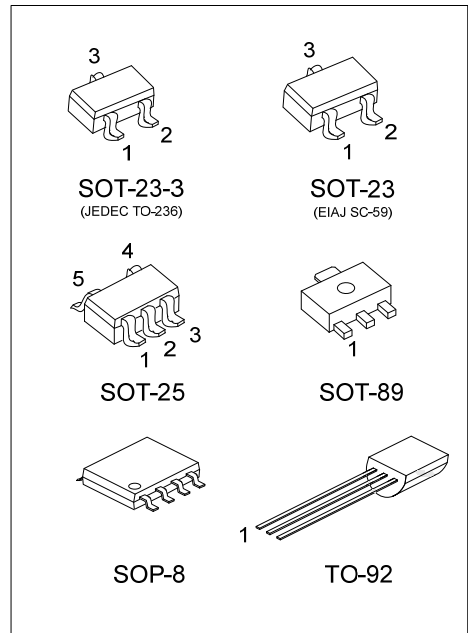
TL432

LINEAR INTEGRATED CIRCUIT

1.25V PRECISION ADJUSTABLE SHUNT REFERENCE REGULATORS

DESCRIPTION

The UTC **TL432** is a three-terminal adjustable shunt regulator highly accurate 1.25V band gap reference with 0.5%, 1% tolerance. The device offers thermal stability, wide operating current (50mA) and an extended temperature range of 0° to 85°C for operation in power supply applications. The UTC **TL432** offers a wide operating voltage range of up to 12V and is an excellent choice for voltage reference requirements in an isolated feedback circuit for 3.0V ~ 3.3V switching mode power supplies. The tight tolerance guarantees a lower design cost for the power supply manufacturer by virtually eliminating the need for an extra power supply manufacturing process of the power supply.



FEATURES

- *Temperature-Compensated: 50ppm/°C
- *Internal amplifier with 50mA capability
- *Nominal temperature range extended to 85°C
- *Low frequency dynamic output impedance: <150Ω
- *Low output noise

ORDERING INFORMATION

Ordering Number		Package	Pin Assignment								Packing	
Lead Free	Halogen Free		1	2	3	4	5	6	7	8		
TL432L-AE2-R	TL432G-AE2-R	SOT-23-3	R	K	A	-	-	-	-	-	-	Tape Reel
TL432L-AE3-R	TL432G-AE3-R	SOT-23	R	K	A	-	-	-	-	-	-	Tape Reel
TL432L-AB3-R	TL432G-AB3-R	SOT-89	R	A	K	-	-	-	-	-	-	Tape Reel
TL432L-AF5-R	TL432G-AF5-R	SOT-25	X	X	K	R	A	-	-	-	-	Tape Reel
TL432L-T92-B	TL432G-T92-B	TO-92	R	A	K	-	-	-	-	-	-	Tape Box
TL432L-T92-K	TL432G-T92-K	TO-92	R	A	K	-	-	-	-	-	-	Bulk
TL432L-S08-R	TL432G-S08-R	SOP-8	K	A	A	X	X	A	A	R	-	Tape Reel

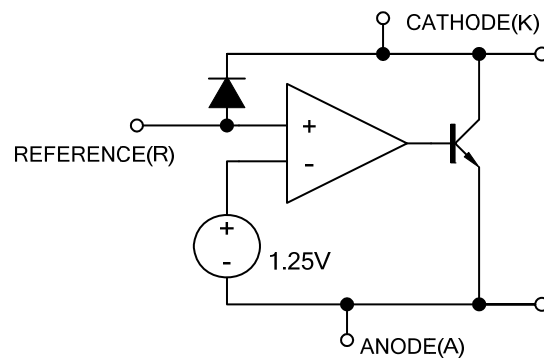
Note: Pin Code: R: Reference K: Cathode A: Anode X: No Connection

<p>TL432G-AE2-R</p> <p>(1) Packing Type</p> <p>(2) Package Type</p> <p>(3) Green Package</p>	<p>(1) B: Tape Box, K: Bulk, R: Tape Reel</p> <p>(2) AE2: SOT-23-3, AE3: SOT-23, AB3: SOT-89, AF5: SOT-25, T92: TO-92, S08: SOP-8</p> <p>(3) G: Halogen Free and Lead Free, L: Lead Free</p>
--	--

MARKING

PACKAGE	MARKING
SOT-89	<p> Date Code L: Lead Free G: Halogen Free </p>
SOT-23-3 SOT-23	<p> L: Lead Free G: Halogen Free </p>
SOT-25	<p> L: Lead Free G: Halogen Free </p>
SOP-8	<p> Date Code L: Lead Free G: Halogen Free Lot Code </p>
TO-92	<p> L: Lead Free G: Halogen Free Date Code </p>

BLOCK DIAGRAM



■ ABSOLUTE MAXIMUM RATINGS

PARAMETER	SYMBOL	RATING	UNIT
Cathode-Anode Reverse Breakdown	V_{KA}	15	V
Operating Cathode Current	I_{KA}	50	mA
Reference Input Current	I_{REF}	1	mA
Junction Temperature	T_J	+125	°C
Operating Temperature	T_{OPR}	-40 ~ +85	°C
Storage Temperature	T_{STG}	-40 ~ +150	°C

Note: Absolute maximum ratings are those values beyond which the device could be permanently damaged. Absolute maximum ratings are stress ratings only and functional device operation is not implied.

■ THERMAL DATA

PARAMETER	SYMBOL	RATING	UNIT	
Junction to Ambient	SOT-23-3/SOT-23 SOT-25	θ_{JA}	350	°C/W
	TO-92		100	°C/W
	SOP-8		150	°C/W
	SOT-89		220	°C/W

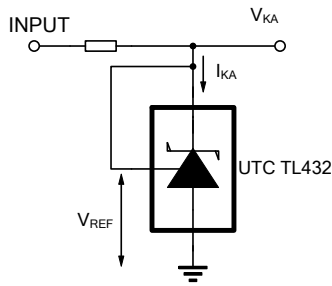
■ RECOMMENDED OPERATING CONDITIONS

PARAMETER	SYMBOL	MIN	TYP	MAX	UNIT
Cathode Voltage	V_{KA}	V_{REF}		15	V
Cathode Current	I_K	5	10		mA

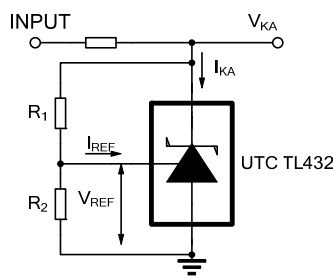
■ ELECTRICAL CHARACTERISTICS ($T_J=25^\circ\text{C}$, $V_{KA}=V_{REF}$, $I_K=10\text{mA}$, unless otherwise specified.)

PARAMETER	SYMBOL	TEST CONDITIONS	MIN	TYP	MAX	UNIT
Refer Input Voltage	V_{REF}	$I_K=10\text{mA}$, $V_K=V_{REF}$	1.243	1.250	1.256	V
			1.237	1.250	1.263	V
			1.263		1.275	V
			1.225		1.237	V
Line Regulation	ΔV_{REF}	$V_K=1.25 \sim 15\text{V}$		10	26	mV
Load Regulation	ΔV_{REF}	$I_K=5 \sim 50\text{mA}$		6	15	mV
Temperature Deviation	ΔV_{REF}	$0 < T_J < 85^\circ\text{C}$		2	6	mV
Reference Input Current	I_{REF}			3	6	μA
Reference Input Current Temperature Coefficient	ΔI_{REF}	$0 < T_J < 85^\circ\text{C}$		0.3	0.6	μA
Minimum Cathode Current for Regulation	$I_{K(MIN)}$			0.6	1	mA
Off State Leakage	$I_{KA(OFF)}$	$V_{REF}=0\text{V}$, $V_{KA}=15\text{V}$			500	nA

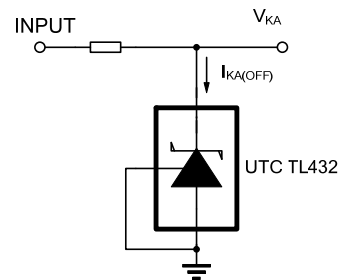
TEST CIRCUIT



For $V_{KA} = V_{REF}$

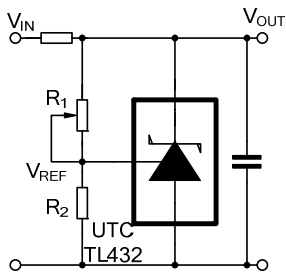


$V_{KA} = V_{REF} \times (1 + R_1/R_2) + I_{REF} \times R_1$
For $V_{KA} \geq V_{REF}$



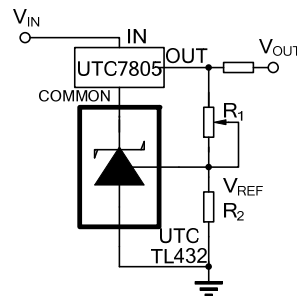
For $I_{KA(OFF)}$

APPLICATION CIRCUIT



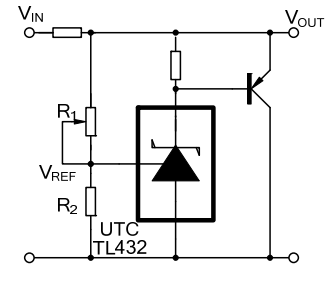
$$V_{OUT} = (1 + R_1/R_2) \times V_{REF}$$

Shutdown Regulator



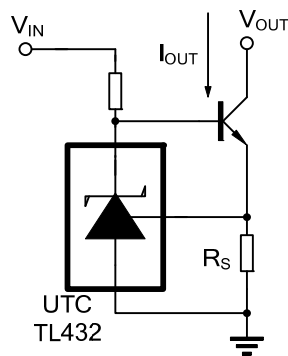
$$V_{OUT} = (1 + R_1/R_2) \times V_{REF}$$

Minimum $V_{OUT} = V_{REF} + 5V$
Output Control of a Three-Terminal Fixed Regulator



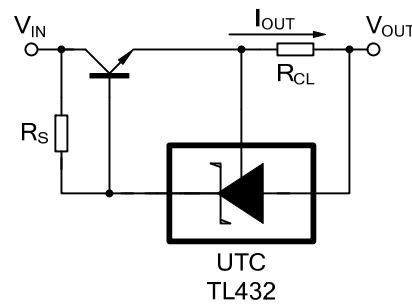
$$V_{OUT} = (1 + R_1/R_2) \times V_{REF}$$

Higher-current Shunt Regulator



$$I_{OUT} = V_{REF}/R_S$$

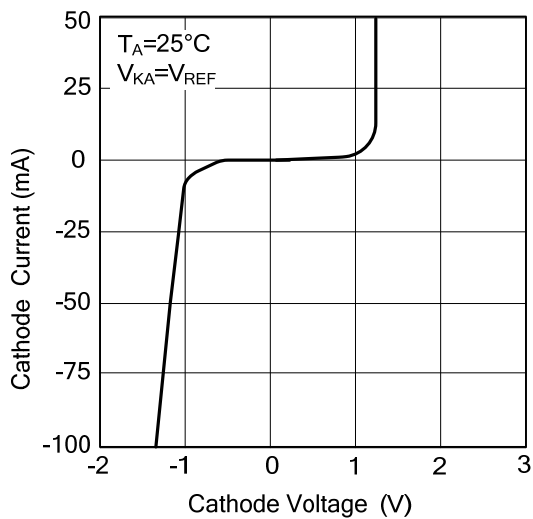
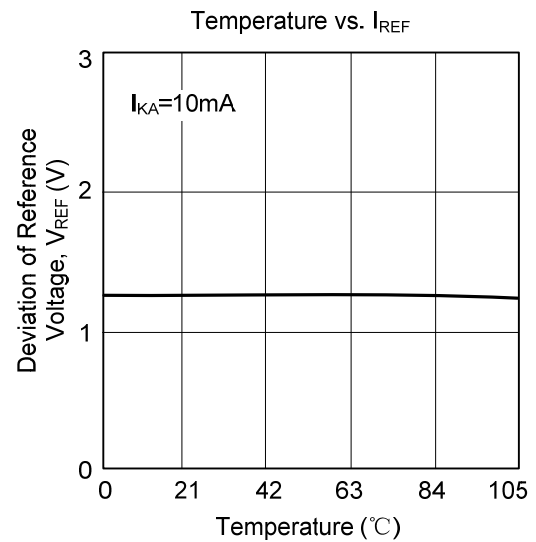
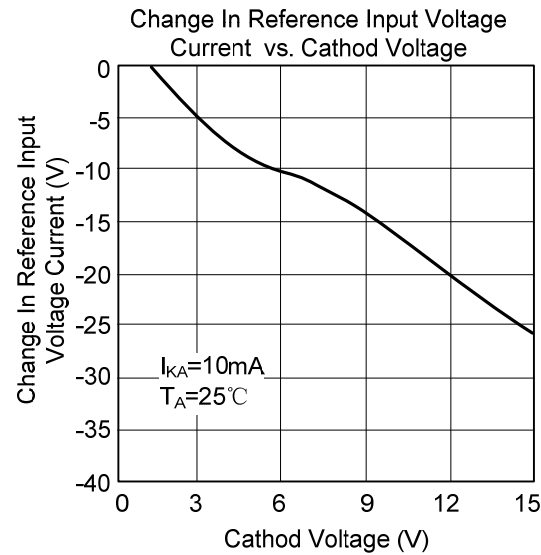
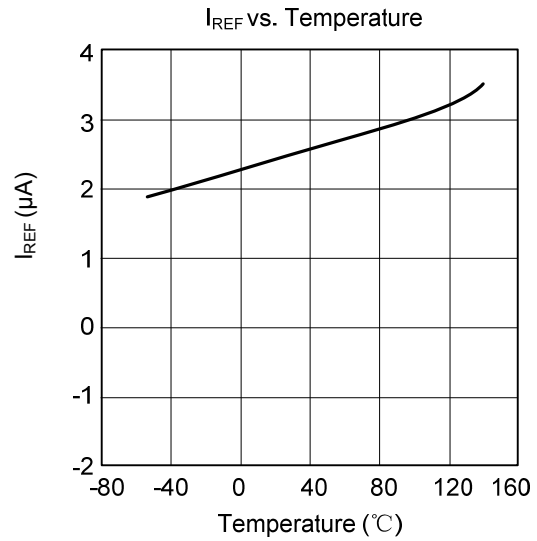
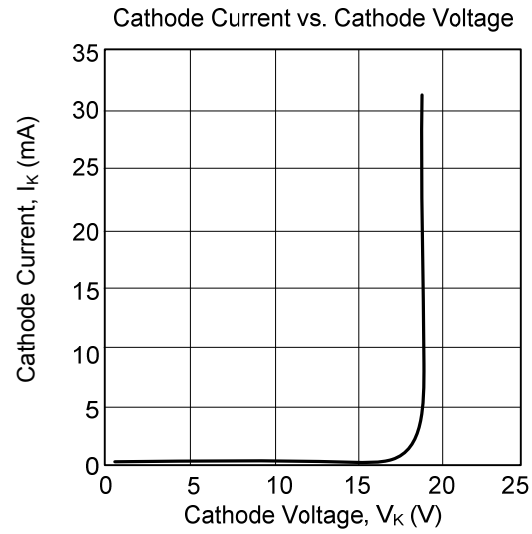
Constant-current Sink



$$I_{OUT} = V_{REF}/R_{CL}$$

Current Limiting or Current Source

■ TYPICAL CHARACTERISTICS



UTC assumes no responsibility for equipment failures that result from using products at values that exceed, even momentarily, rated values (such as maximum ratings, operating condition ranges, or other parameters) listed in products specifications of any and all UTC products described or contained herein. UTC products are not designed for use in life support appliances, devices or systems where malfunction of these products can be reasonably expected to result in personal injury. Reproduction in whole or in part is prohibited without the prior written consent of the copyright owner. UTC reserves the right to make changes to information published in this document, including without limitation specifications and product descriptions, at any time and without notice. This document supersedes and replaces all information supplied prior to the publication hereof.