



## U3144

Preliminary

LINEAR INTEGRATED CIRCUIT

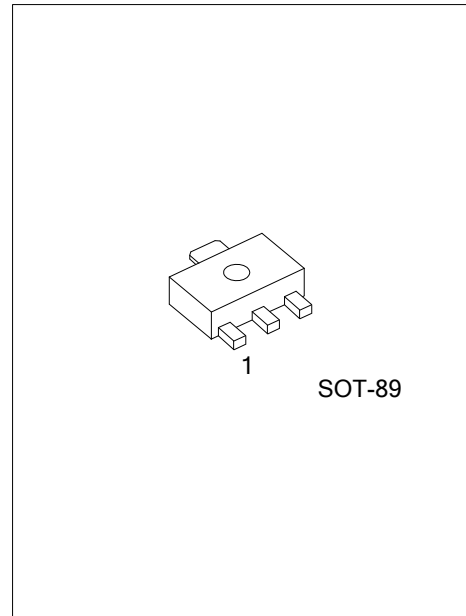
### SENSITIVE HALL-EFFECT SWITCHES FOR HIGH-TEMPERATURE OPERATION

#### DESCRIPTION

UTC **U3144** is a semiconductor integrated circuit utilizing the Hall effect. It has been so designed as to operate in the alternating magnetic field especially at low supply voltage and operation over extended temperature ranges to +85°C. This Hall IC is suitable for application to various kinds of sensors, contact-less switches, and the like.

#### FEATURES

- \* Wide temperature operation range of -20°C ~ +85°C
- \* Wide supply voltage range of 4.5V to 24V
- \* TTL and MOS IC are directly drivable by the output
- \* Reverse Battery Protection
- \* Activate with Small, Commercially Available Permanent Magnets
- \* Solid-State Reliability
- \* SOT-89 package
- \* Resistant to Physical Stress

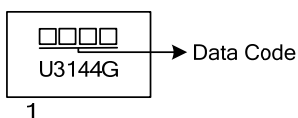


#### ORDERING INFORMATION

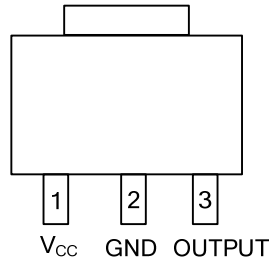
Ordering Number	Package	Packing
U3144G-AB3-R	SOT-89	Tape Reel

<p>U3144G-AB3-R</p> <p>(1) Packing Type (2) Package Type (3) Green Package</p>	<p>(1) R: Tape Reel (2) AB3: SOT-89 (3) G: Halogen Free and Lead Free</p>
--	---

#### MARKING



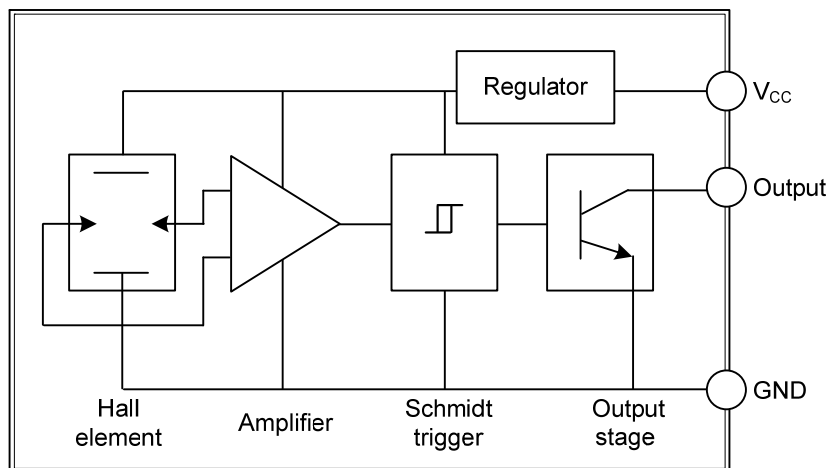
■ PIN CONFIGURATION



■ PIN DESCRIPTION

PIN NO.	PIN NAME	DESCRIPTION
1	V <sub>CC</sub>	Power supply
2	GND	Ground pin
3	OUTPUT	Output pin

■ BLOCK DIAGRAM



■ ABSOLUTE MAXIMUM RATING ( $T_A = 25^\circ\text{C}$ , unless otherwise specified)

PARAMETER	SYMBOL	RATINGS	UNIT
Supply Voltage	$V_{CC}$	28	V
Reverse Battery Voltage	$V_{RCC}$	-35	V
Magnetic Flux Density	B	Unlimited	
Output OFF Voltage	$V_{OUT}$	28	V
Reverse Output Voltage	$V_{OUT}$	-0.5	V
Continuous Output Current	$I_{OUT}$	25	mA
Operating Temperature Range	$T_A$	-40 ~ +85	$^\circ\text{C}$
Storage Temperature Range,	$T_{STG}$	-65 ~ +170	$^\circ\text{C}$

Note: Absolute maximum ratings are those values beyond which the device could be permanently damaged. Absolute maximum ratings are stress ratings only and functional device operation is not implied.

■ ELECTRICAL RESISTANCES CHARACTERISTICS ( $V_{CC}=8\text{ V}$  over operating temperature range)

PARAMETER	SYMBOL	TEST CONDITIONS	MIN	TYP	MAX	UNIT
Supply Voltage	$V_{CC}$	Operating	4.5		24	V
Output Saturation Voltage	$V_{OUT(SAT)}$	$I_{OUT}=20\text{mA}$ , $B>BOP$		175	400	mV
Output Leakage Current	$I_{OFF}$	$V_{OUT}=24\text{V}$ , $B<BRP$		<1.0	10	$\mu\text{A}$
Supply Current	$I_{CC}$	$B<BRP$ (Output OFF)		4.4	9.0	mA
Output Rise Time	$t_r$	$R_L=820\Omega$ , $C_L=20\text{pF}$		0.04	2.0	$\mu\text{s}$
Output Fall Time	$t_f$	$R_L=820\Omega$ , $C_L=20\text{pF}$		0.18	2.0	$\mu\text{s}$

■ MAGNETIC CHARACTERISTICS IN GAUSS OVER OPERATING SUPPLY VOLTAGE RANGE

( $T_A = 25^\circ\text{C}$ , unless otherwise specified)

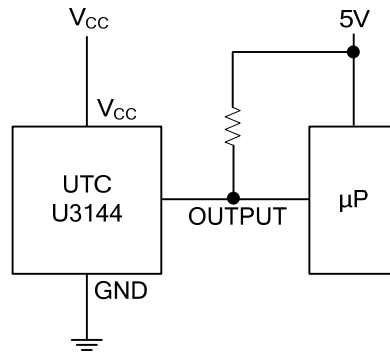
PARAMETER	SYMBOL	TEST CONDITIONS	MIN	TYP	MAX	UNIT
Operate Point	$B_{OP}$		70		350	G
Release Point	$B_{RP}$		50		330	G
Hysteresis	$B_{hys}$			25		G

Notes: 1. Typical values are at  $T_A=+25^\circ\text{C}$  and  $V_{CC}=8\text{ V}$

2.  $B_{OP}$ =operate point (output turns ON);  $B_{RP}$ =release point (output turns OFF);  $B_{hys}$ =hysteresis ( $B_{OP}-B_{RP}$ )

3. 1 gauss (G) is exactly equal to 0.1 millitesla (mT)

## ■ TYPICAL APPLICATION CIRCUIT



UTC assumes no responsibility for equipment failures that result from using products at values that exceed, even momentarily, rated values (such as maximum ratings, operating condition ranges, or other parameters) listed in products specifications of any and all UTC products described or contained herein. UTC products are not designed for use in life support appliances, devices or systems where malfunction of these products can be reasonably expected to result in personal injury. Reproduction in whole or in part is prohibited without the prior written consent of the copyright owner. The information presented in this document does not form part of any quotation or contract, is believed to be accurate and reliable and may be changed without notice.