



U74ACT125

CMOS IC

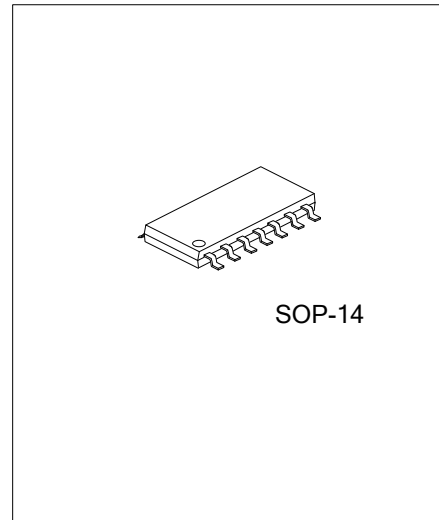
QUAD BUFFER WITH 3-STATE OUTPUTS

DESCRIPTION

The **U74ACT125** contains four independent non-inverting buffers with 3-STATE outputs.

FEATURES

- * Outputs source/sink 24mA
- *ACT125 has TTL-compatible outputs



ORDERING INFORMATION

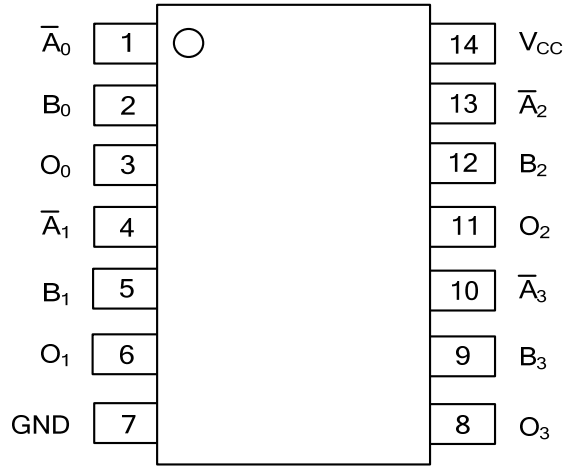
Ordering Number		Package	Packing
Lead Free	Halogen Free		
U74ACT125L-S14-R	U74ACT125G-S14-R	SOP-14	Tape Reel

<p>U74ACT125L-S14-R</p> <p>(1)Packing Type (2)Package Type (3)Lead Plating</p>	<p>(1) R: Tape Reel (2) S14: SOP-14 (3) L: Lead Free, G: Halogen Free</p>
--	---

U74ACT125

CMOS IC

■ PIN CONFIGURATION

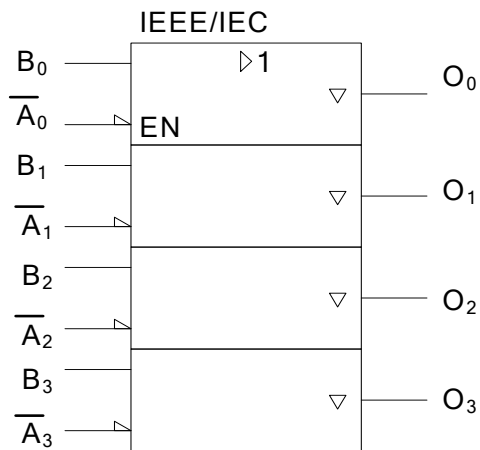
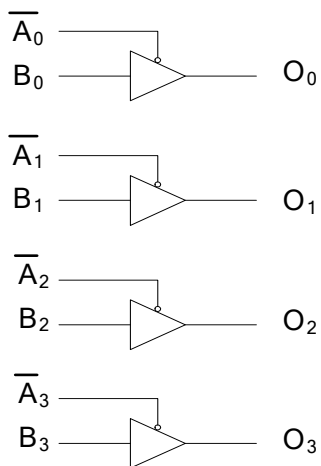


■ FUNCTION TABLE (each gate)

INPUTS		OUTPUT
A _n	B _n	O _n
L	L	L
L	H	H
H	X	Z

H=HIGH Voltage Level; L=LOW Voltage Level
Z=HIGH Impedance; X=Immaterial

■ LOGIC DIAGRAM (positive logic)



■ ABSOLUTE MAXIMUM RATING (unless otherwise specified)(Note 1)

PARAMETER	SYMBOL	RATINGS	UNIT
Supply Voltage	V_{CC}	-0.5~7	V
Input Voltage	V_{IN}	-0.5~ $V_{CC}+0.5$	V
Output Voltage(active mode)	V_{OUT}	-0.5~ $V_{CC}+0.5$	V
Input Diode Current($V_{IN}=-0.5V$)	I_{IK}	-20	mA
Input Diode Current($V_{IN}=V_{CC}+0.5V$)	I_{IK}	+20	mA
Output Diode Current($V_{IN}=-0.5V$)	I_{OK}	-20	mA
Output Diode Current($V_{IN}=V_{CC}+0.5V$)	I_{OK}	+20	mA
Output Current	I_{OUT}	±50	mA
V_{CC} or GND Current	I_{CC}	±100	mA
Storage Temperature	T_{STG}	-65 ~ +150	°C

Notes: 1. The input and output voltage ratings may be exceeded if the input and output current ratings are observed.
 2. Absolute maximum ratings are those values beyond which the device could be permanently damaged.
 Absolute maximum ratings are stress ratings only and functional device operation is not implied.

■ RECOMMENDED OPERATING COMDITIONS

PARAMETER	SYMBOL	CONDITIONS	MIN	TYP	MAX	UNIT
Supply Voltage	V_{CC}		4.5		5.5	V
Input Voltage	V_{IN}		0		V_{CC}	V
Output Voltage	V_{OUT}		0		V_{CC}	V
Minimum Input Edge Rate	$\Delta v/\Delta t$	V_{IN} from 0.8V to 2.0V V_{CC} @ 4.5V, 5.5V			125	mV/ns
Operating Temperature	T_A		-40		+85	°C

■ STATIC CHARACTERISTICS ($T_A=25^\circ C$, unless otherwise specified)

PARAMETER	SYMBOL	TEST CONDITIONS	MIN	TYP	MAX	UNIT	
HIGH Level Input Voltage	V_{IH}	$V_{CC}=4.5V$	2	1.5		V	
		$V_{CC}=5.5V$	2	1.5			
LOW Level Input Voltage	V_{IL}	$V_{CC}=4.5V$		1.5	0.8	V	
		$V_{CC}=5.5V$		1.5	0.8		
High-Level Output Voltage	V_{OH}	$I_{OH}=-50\mu A$	$V_{CC}=4.5V$	4.4	4.49	V	
			$V_{CC}=5.5V$	5.4	5.49		
		$I_{OH}=-24mA$	$V_{CC}=4.5V$	3.86			
			$V_{CC}=5.5V$	4.86			
Low-Level Output Voltage	V_{OL}	$I_{OL}=50\mu A$	$V_{CC}=4.5V$		0.001	0.1	V
			$V_{CC}=5.5V$		0.001	0.1	
		$I_{OL}=24mA$	$V_{CC}=4.5V$			0.36	
			$V_{CC}=5.5V$			0.36	
Input Leakage Current	$I_{I(LEAK)}$	$V_{CC} = 5.5V, V_{IN}=V_{CC}$ or GND			±0.1	μA	
Quiescent Supply Current	I_{CC}	$V_{CC} = 5.5V, V_{IN}=5.5V$ or GND $I_{OUT}=0$			4	μA	
Maximum I_{CC} /Input	I_{CCT}	$V_{CC} = 5.5V, V_I=V_{CC}-2.1V$		0.6		mA	
Input Capacitance	C_{IN}	$V_{CC} = OPEN$		4.5		pF	
3-STATE Current	I_{OZ}	$V_{CC}=5.5V, V_I=V_{IL}, V_{IH}$ $V_O=V_{CC}, GND$			±0.5	μA	

■ DYNAMIC CHARACTERISTICS (T_A=25°C, unless otherwise specified)

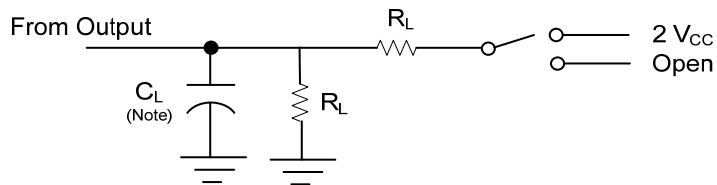
See Fig. 1 and Fig. 2 for test circuit and waveforms.

PARAMETER	SYMBOL	TEST CONDITIONS	MIN	TYP	MAX	UNIT
Propagation Delay Data to Output	t _{PLH}	V _{CC} =5V, t _r = t _f =3ns, C _L =50pF, R _L =500Ω, f=1MHz	1	6.5	9	ns
	t _{PHL}		1	7	9	
Output Enable Time	t _{PZH}		1	6.0	8.5	ns
	t _{PZL}		1	7.0	9.5	ns
Output disable Time	t _{PHZ}		1	7.0	9.5	ns
	t _{PLZ}		1	7.5	10	ns

■ OPERATING CHARACTERISTICS

PARAMETER	SYMBOL	TEST CONDITIONS	MIN	TYP	MAX	UNIT
Power Dissipation Capacitance	C _{PD}	V _{CC} =5V		45		pF

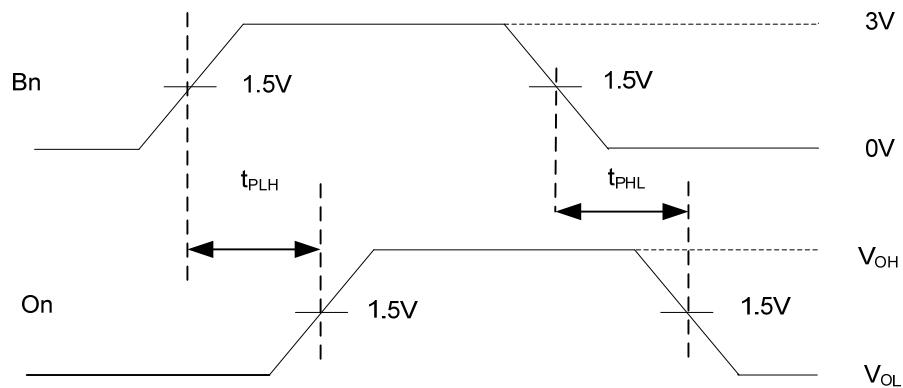
■ TEST CIRCUIT AND WAVEFORMS



Note: C_L includes probe and jig capacitance.

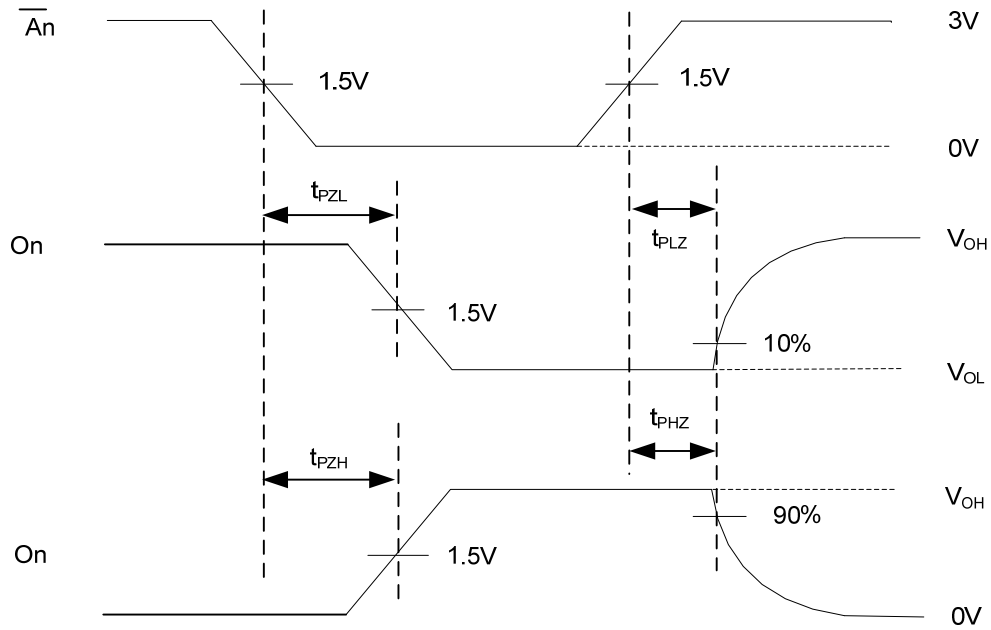
TEST	SWITCH
t_{PLH} , t_{PHL}	Open
t_{PLZ} , t_{PZL}	$2V_{CC}$
t_{PZH} , t_{PHZ}	Open

Fig. 1 Load circuitry for switching times.



PROPAGATION DELAY TIMES

■ TEST CIRCUIT AND WAVEFORMS (Cont.)



ENABLE AND DISABLE TIMES

Fig. 2 Propagation delay from input to output and Output transition time

UTC assumes no responsibility for equipment failures that result from using products at values that exceed, even momentarily, rated values (such as maximum ratings, operating condition ranges, or other parameters) listed in products specifications of any and all UTC products described or contained herein. UTC products are not designed for use in life support appliances, devices or systems where malfunction of these products can be reasonably expected to result in personal injury. Reproduction in whole or in part is prohibited without the prior written consent of the copyright owner. The information presented in this document does not form part of any quotation or contract, is believed to be accurate and reliable and may be changed without notice.