



U74AHC1G126

CMOS IC

SINGLE BUS BUFFER GATE WITH 3-STATE OUTPUT

DESCRIPTION

The **U74AHC1G126** is a single bus buffer gate/line driver with 3-state output. When OE is low, the Y output are in a high-impedance state. When OE is high, the device passes noninverted data from the A input to the Y output.

To ensure the high-impedance state during power up or power down, OE should be tied to GND through a pull-down resistor; the minimum value of the resistor is determined by the current-sinking capability of the driver.

FEATURES

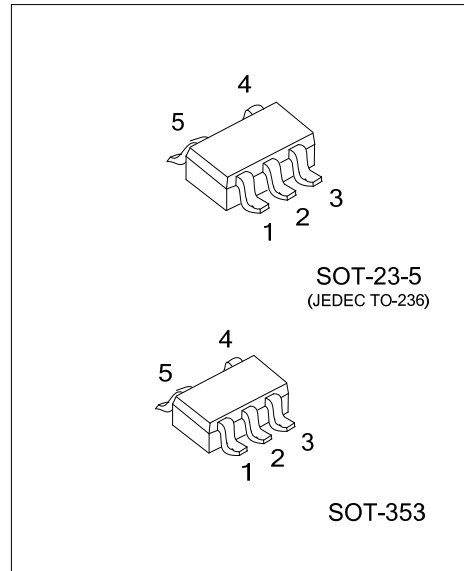
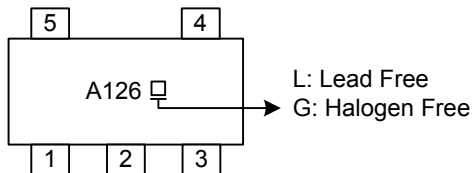
- * Wide supply voltage range from 2V to 5.5V
- * Max t_{pd} of 6 ns from A to Y at 5V
- * Low power consumption, $I_{CC} = 1 \mu A$ (Max.) at 5.5V
- * ± 8 mA output driver at 5V

ORDERING INFORMATION

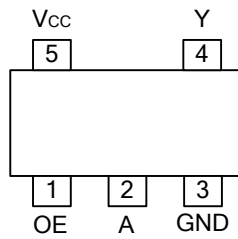
Ordering Number		Package	Packing
Lead Free	Halogen Free		
U74AHC1G126L-AE5-R	U74AHC1G126G-AE5-R	SOT-23-5	Tape Reel
U74AHC1G126L-AL5-R	U74AHC1G126G-AL5-R	SOT-353	Tape Reel

<p>U74AHC1G126G-AE5-R</p> <p>(1) Packing Type (2) Package Type (3) Green Package</p>	<p>(1) R: Tape Reel (2) AE5: SOT-23-5, AL5: SOT-353 (3) G: Halogen Free and Lead Free, L: Lead Free</p>
--	---

MARKING



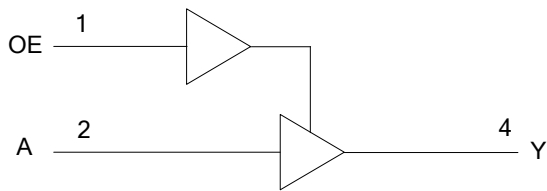
■ PIN CONFIGURATION



■ FUNCTION TABLE

INPUT		OUTPUT
OE	A	Y
H	H	H
H	L	L
L	X	Z

■ LOGIC DIAGRAM (positive logic)



■ ABSOLUTE MAXIMUM RATING

PARAMETER	SYMBOL	RATINGS	UNIT
Supply Voltage Range	V_{CC}	-0.5~7	V
Input Voltage Range	V_{IN}	-0.5~7	V
Output Voltage Range	V_{OUT}	-0.5~ V_{CC} +0.5	V
Input Clamp Current ($V_{IN}<0$)	I_{IK}	-20	mA
Output Clamp Current ($V_{OUT}<0$, or $V_{OUT}>V_{CC}$)	I_{OK}	± 20	mA
Output Current	I_{OUT}	± 25	mA
V_{CC} or GND Current	I_{CC}	± 50	mA
Storage Temperature	T_{STG}	-65 ~ +150	°C

Notes: 1. The input and output voltage ratings may be exceeded if the input and output current ratings are observed.

2. Absolute maximum ratings are those values beyond which the device could be permanently damaged.

Absolute maximum ratings are stress ratings only and functional device operation is not implied.

■ RECOMMENDED OPERATING CONDITIONS

PARAMETER	SYMBOL	CONDITIONS	MIN	TYP	MAX	UNIT
Supply Voltage	V_{CC}		2		5.5	V
High-Level Input Voltage	V_{IH}	$V_{CC} = 2V$	1.5			V
		$V_{CC} = 3V$	2.1			V
		$V_{CC} = 5.5V$	3.85			V
Low-Level Input Voltage	V_{IL}	$V_{CC} = 2V$			0.5	V
		$V_{CC} = 3V$			0.9	V
		$V_{CC} = 5.5V$			1.65	V
Input Voltage	V_{IN}		0		5.5	V
Output Voltage	V_{OUT}		0		V_{CC}	V
High-level Output Current	I_{OH}	$V_{CC} = 2V$			-50	μA
		$V_{CC} = 3.3\pm 0.3V$			-4	mA
		$V_{CC} = 5\pm 0.5V$			-8	mA
Low-level Output Current	I_{OL}	$V_{CC} = 2V$			50	μA
		$V_{CC} = 3.3\pm 0.3V$			4	mA
		$V_{CC} = 5\pm 0.5V$			8	mA
Input Transition Rise or Fall Rate	$\Delta t/\Delta v$	$V_{CC} = 3.3\pm 0.3V$			100	ns/V
		$V_{CC} = 5\pm 0.5V$			20	ns/V
Operating Temperature	T_A		-40		+85	°C

■ THERMAL DATA

PARAMETER	SYMBOL	RATING	UNIT
Junction to Ambient	SOT-23-5	280	°C/W
	SOT-353	350	

■ ELECTRICAL CHARACTERISTICS (T_A =25°C , unless otherwise specified)

PARAMETER	SYMBOL	TEST CONDITIONS	MIN	TYP	MAX	UNIT
High-Level Output Voltage	V _{OH}	I _{OH} = -50 μA, V _{CC} = 2V	1.9	2		V
		I _{OH} = -50 μA, V _{CC} = 3V	2.9	3		
		I _{OH} = -50 μA, V _{CC} = 4.5V	4.4	4.5		
		I _{OH} = -4 mA, V _{CC} = 3V	2.58			
		I _{OH} = -8 mA, V _{CC} = 4.5V	3.94			
Low-Level Output Voltage	V _{OL}	I _{OL} = 50 μA, V _{CC} = 2V			0.1	V
		I _{OL} = 50 μA, V _{CC} = 3V			0.1	
		I _{OL} = 50 μA, V _{CC} = 4.5V			0.1	
		I _{OL} = 4 mA, V _{CC} = 3V			0.36	
		I _{OL} = 8 mA, V _{CC} = 4.5V			0.36	
Input Leakage Current (A or OE input)	I _{I(LEAK)}	V _{IN} = 5.5V or GND, V _{CC} = 0 to 5.5V			±0.1	μA
High-impedance state Current	I _{OZ}	V _{IN} = V _{CC} or GND, V _{CC} = 5.5V			±0.25	μA
Quiescent Supply Current	I _{CC}	V _{IN} = V _{CC} or GND, I _{OUT} = 0, V _{CC} = 5.5V			1	μA
Input Capacitance	C _{IN}	V _{IN} = V _{CC} or GND, V _{CC} =5V		4	10	pF
Output Capacitance	C _{OUT}	V _O = V _{CC} or GND, V _{CC} =5V		10		pF

■ SWITCHING CHARACTERISTICS (V_{CC} = 3.3V ± 0.3V, T_A =25°C)

PARAMETER	SYMBOL	TEST CONDITIONS	MIN	TYP	MAX	UNIT
Propagation delay from input A to output Y, t _{pd}	t _{PLH}	C _L =15pF, R _L =1kΩ		5.6	8	ns
		C _L =50pF, R _L =1kΩ		8.1	11.5	
	t _{PHL}	C _L =15pF, R _L =1kΩ		5.6	8	ns
		C _L =50pF, R _L =1kΩ		8.1	11.5	
Propagation delay from input OE to output Y, t _{en}	t _{PZH}	C _L =15pF, R _L =1kΩ		5.4	8	ns
		C _L =50pF, R _L =1kΩ		7.9	11.5	
	t _{PZL}	C _L =15pF, R _L =1kΩ		5.4	8	ns
		C _L =50pF, R _L =1kΩ		7.9	11.5	
Propagation delay from input OE to output Y, t _{dis}	t _{PHZ}	C _L =15pF, R _L =1kΩ		7	9.7	ns
		C _L =50pF, R _L =1kΩ		9.5	13.2	
	t _{PLZ}	C _L =15pF, R _L =1kΩ		7	9.7	ns
		C _L =50pF, R _L =1kΩ		9.5	13.2	

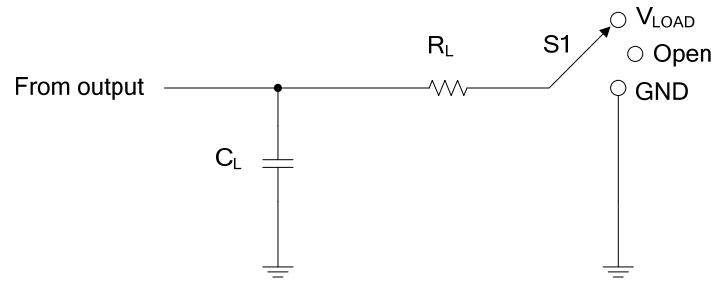
■ SWITCHING CHARACTERISTICS (V_{CC} = 5V ± 0.5V, T_A =25°C)

PARAMETER	SYMBOL	TEST CONDITIONS	MIN	TYP	MAX	UNIT
Propagation delay from input A to output Y, t _{pd}	t _{PLH}	C _L =15pF, R _L =1kΩ		3.8	5.5	ns
		C _L =50pF, R _L =1kΩ		5.3	7.5	
	t _{PHL}	C _L =15pF, R _L =1kΩ		3.8	5.5	ns
		C _L =50pF, R _L =1kΩ		5.3	7.5	
Propagation delay from input OE to output Y, t _{en}	t _{PZH}	C _L =15pF, R _L =1kΩ		3.6	5.1	ns
		C _L =50pF, R _L =1kΩ		5.1	7.1	
	t _{PZL}	C _L =15pF, R _L =1kΩ		3.6	5.1	ns
		C _L =50pF, R _L =1kΩ		5.1	7.1	
Propagation delay from input OE to output Y, t _{dis}	t _{PHZ}	C _L =15pF, R _L =1kΩ		4.6	6.8	ns
		C _L =50pF, R _L =1kΩ		6.1	8.8	
	t _{PLZ}	C _L =15pF, R _L =1kΩ		4.6	6.8	ns
		C _L =50pF, R _L =1kΩ		6.1	8.8	

■ OPERATING CHARACTERISTICS (T_A =25°C , unless otherwise specified)

PARAMETER	SYMBOL	TEST CONDITIONS	TYP	UNIT
Power dissipation capacitance	C _{pd}	V _{CC} = 5V, f=1MHz, No load	14	pF

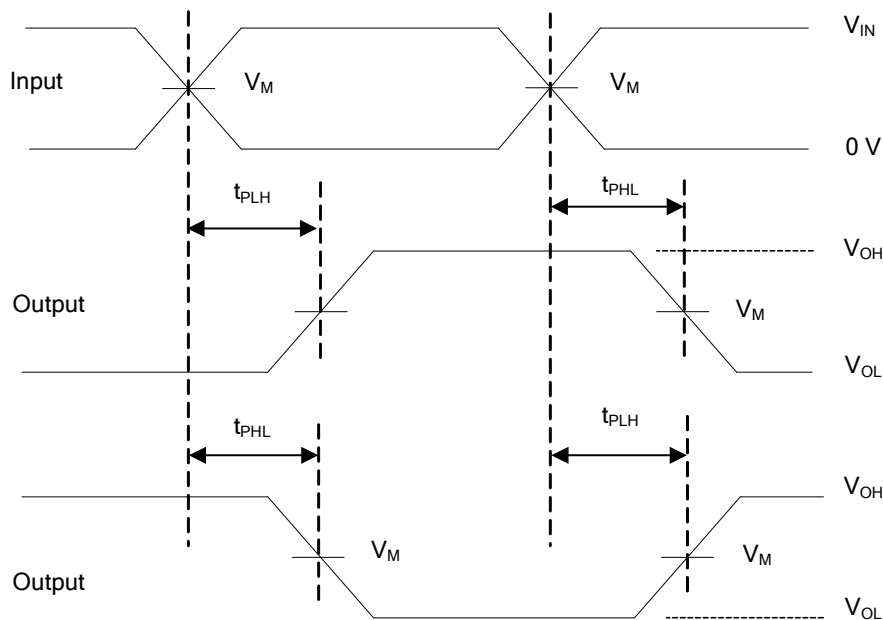
■ TEST CIRCUIT AND WAVEFORMS



TEST CIRCUIT

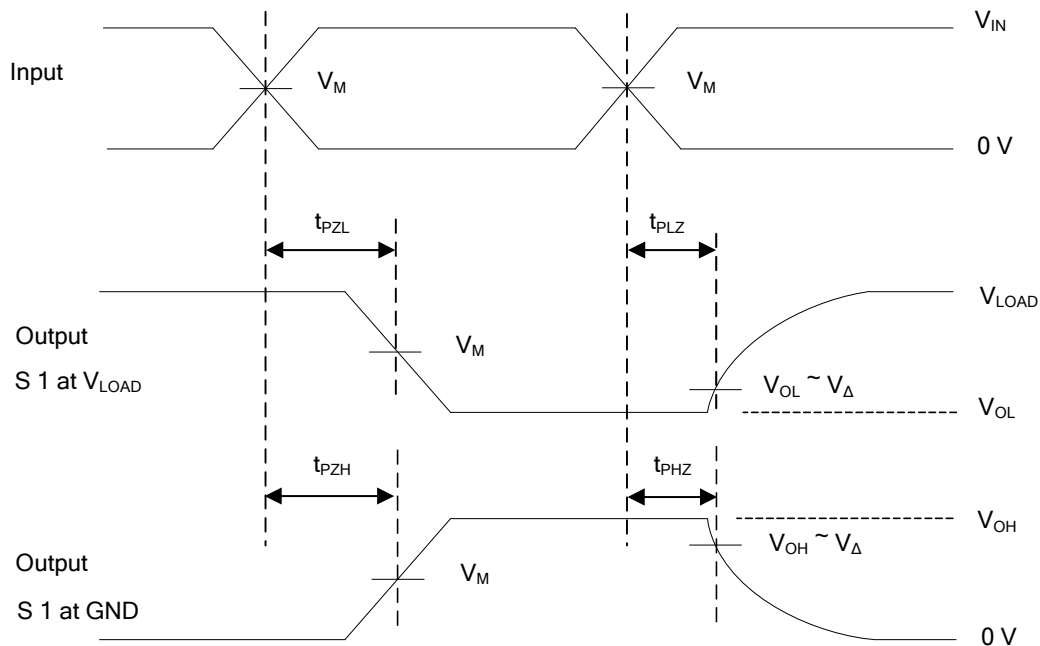
TEST	S1
t_{PLH}/t_{PHL}	Open
t_{PLZ}/t_{PZL}	V_{LOAD}
t_{PHZ}/t_{PZH}	GND

V_{CC}	Input		V_M	V_{LOAD}	C_L	R_L	V_{Δ}
	V_{IN}	t_r, t_f					
$3.3V \pm 0.3V$	V_{CC}	$\leq 3ns$	$V_{CC}/2$	V_{CC}	15pF	1kΩ	0.3V
					50pF		
$5V \pm 0.5V$	V_{CC}	$\leq 3ns$	$V_{CC}/2$	V_{CC}	15pF	1kΩ	0.5V
					50pF		



VOLTAGE WAVEFORMS PROPAGATION DELAY TIMES

■ TEST CIRCUIT AND WAVEFORMS(Cont.)



VOLTAGE WAVEFORMS ENABLE AND DISABLE TIMES

- NoteS: 1. C_L includes probe and jig capacitance.
 2. All input pulses are supplied by generators having the following characteristics: PRR ≤1MHz, Z_O = 50Ω.

UTC assumes no responsibility for equipment failures that result from using products at values that exceed, even momentarily, rated values (such as maximum ratings, operating condition ranges, or other parameters) listed in products specifications of any and all UTC products described or contained herein. UTC products are not designed for use in life support appliances, devices or systems where malfunction of these products can be reasonably expected to result in personal injury. Reproduction in whole or in part is prohibited without the prior written consent of the copyright owner. UTC reserves the right to make changes to information published in this document, including without limitation specifications and product descriptions, at any time and without notice. This document supersedes and replaces all information supplied prior to the publication hereof.