



U74AHC1G34

CMOS IC

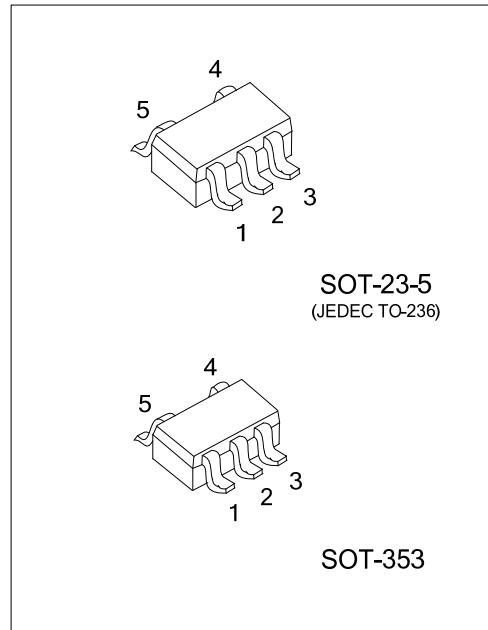
SINGLE NON-INVERTING GATE

DESCRIPTION

The **U74AHC1G34** are high-speed Si-gate CMOS devices. The U74AHC1G34 provide the non-inverting buffer with function $Y=A$.

FEATURES

- * Operation Voltage Range: 2V~5.5V
- * Low Power Dissipation: $I_{CC}=10\mu A(\text{Max})$
- * High Speed: $t_{pd}=3.8\text{ns}(\text{Typ})$
- * Balanced propagation delays
- * High noise immunity
- * Typical $V_{OL} < 0.36\text{V}$ at $V_{CC}=4.5\text{V}, I_o=8\text{mA}, T_A=25^\circ\text{C}$
- * Typical $V_{OH} > 3.94\text{V}$ at $V_{CC}=4.5\text{V}, I_o=-8\text{mA}, T_A=25^\circ\text{C}$

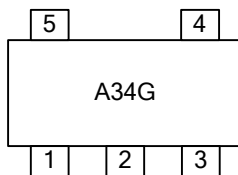


ORDERING INFORMATION

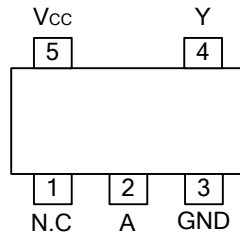
Ordering Number	Package	Packing
U74AHC1G34G-AE5-R	SOT-23-5	Tape Reel
U74AHC1G34G-AL5-R	SOT-353	Tape Reel

<p>U74AHC1G34G-AE5-R</p> <p>(1) Packing Type (2) Package Type (3) Green Package</p>	<p>(1) R: Tape Reel (2) AE5: SOT-23-5, AL5: SOT-353 (3) G: Halogen Free and Lead Free</p>
---	---

MARKING



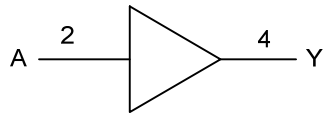
■ PIN CONFIGURATION



■ FUNCTION TABLE (each gate)

INPUT	OUTPUT
A	Y
H	H
L	L

■ LOGIC DIAGRAM (positive logic)



Logic symbol

■ ABSOLUTE MAXIMUM RATING (T_A=25°C, unless otherwise specified)(Note1)

PARAMETER	SYMBOL	RATINGS	UNIT
Supply Voltage	V _{CC}	-0.5~+7.0	V
Input Voltage	V _{IN}	-0.5~+7.0	V
Input Clamp Current	I _{IK}	-20	mA
Output Clamp Current	I _{OK}	±20	mA
Output Current	I _{OUT}	±25	mA
V _{CC} or GND Current	I _{CC}	±50	mA
Storage Temperature	T _{STG}	-65 ~ +150	°C

Note: 1. The input and output voltage ratings may be exceeded if the input and output current ratings are observed.
 2. Absolute maximum ratings are those values beyond which the device could be permanently damaged.
 Absolute maximum ratings are stress ratings only and functional device operation is not implied.

■ RECOMMENDED OPERATING CONDITIONS

PARAMETER	SYMBOL	TEST CONDITIONS	MIN	TYP	MAX	UNIT
Supply Voltage	V _{CC}		2.0		5.5	V
Input Voltage	V _{IN}		0		5.5	V
Output Voltage	V _{OUT}		0		V _{CC}	V
High-level Output Current	I _{OH}	V _{CC} =2V			-50	mA
		V _{CC} =3.3V±0.3V			-4	mA
		V _{CC} =5V±0.5V			-8	mA
Low-level Output Current	I _{OL}	V _{CC} =2V			50	mA
		V _{CC} =3.3V±0.3V			4	mA
		V _{CC} =5V±0.5V			8	mA
Input Transition Rise or Fall Rate	Δt/ΔV	V _{CC} =3.3+0.3V			100	ns/V
		V _{CC} =5.0+0.5V			20	
Operating Temperature	T _A		-40	+25	+85	°C

■ STATIC CHARACTERISTICS

PARAMETER	SYMBOL	TEST CONDITIONS	MIN	TYP	MAX	UNIT
High-Level Input Voltage	V _{IH}	V _{CC} =2.0V	1.5			V
		V _{CC} =3.0V	2.1			
		V _{CC} =5.5V	3.85			
Low-Level Input Voltage	V _{IL}	V _{CC} =2.0V			0.5	V
		V _{CC} =3.0V			0.9	
		V _{CC} =5.5V			1.65	
High-Level Output Voltage	V _{OH}	I _{OH} =-50μA, V _{CC} =2.0V	1.9	2.0		V
		I _{OH} =-50μA, V _{CC} =3.0V	2.9	3.0		
		I _{OH} =-50μA, V _{CC} =5.5V	4.4	4.5		
		I _{OH} =-4mA, V _{CC} =3.0V	2.58			
		I _{OH} =-8mA, V _{CC} =4.5V	3.94			
Low-Level Output Voltage	V _{OL}	I _{OL} =50μA, V _{CC} =2.0V			0.1	V
		I _{OL} =50μA, V _{CC} =3.0V			0.1	
		I _{OL} =50μA, V _{CC} =4.5V			0.1	
		I _{OL} =4mA, V _{CC} =3.0V			0.36	
		I _{OL} =8mA, V _{CC} =4.5V			0.36	
Input Leakage Current	I _{I(LEAK)}	V _{IN} =V _{CC} or GND, V _{CC} =0V~5.5V			±0.1	μA
Quiescent Supply Current	I _Q	V _{IN} =V _{CC} or GND I _{OUT} =0, V _{CC} =5.5V			10	μA
Input Capacitance	C _{IN}	V _{IN} =V _{CC} or GND		2	10	pF

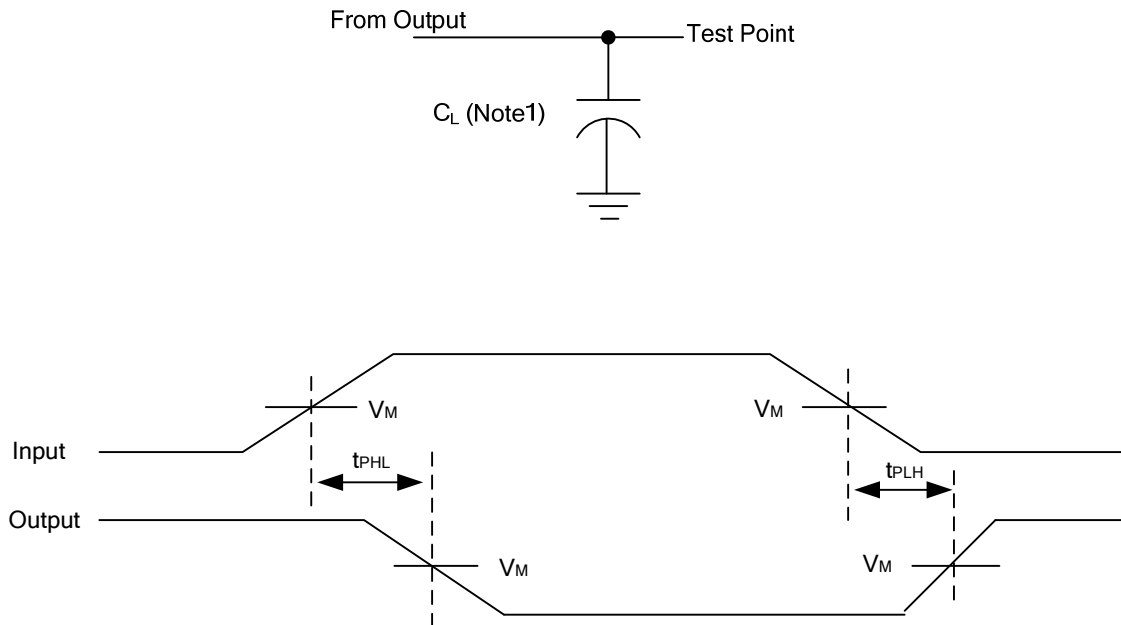
■ DYNAMIC CHARACTERISTICS (Input: $t_r, t_f \leq 3\text{ns}$; $\text{PRR} \leq 1\text{MHz}$)

PARAMETER	SYMBOL	TEST CONDITIONS	MIN	TYP	MAX	UNIT
From A to Y	t_{PHL}/t_{PLH}	$V_{CC}=3.3 \pm 0.3\text{V}, C_L=15\text{pF}$		5	7.1	ns
	t_{PHL}/t_{PLH}	$V_{CC}=3.3 \pm 0.3\text{V}, C_L=50\text{pF}$		7.5	10.6	
	t_{PHL}/t_{PLH}	$V_{CC}=5 \pm 0.5\text{V}, C_L=15\text{pF}$		3.8	5.5	ns
	t_{PHL}/t_{PLH}	$V_{CC}=5 \pm 0.5\text{V}, C_L=50\text{pF}$		5.3	7.5	

■ OPERATING CHARACTERISTICS ($V_{CC}=5\text{V}$; $T_A=25^\circ\text{C}$, unless otherwise specified)

PARAMETER	SYMBOL	TEST CONDITIONS	TYP	UNIT
Power Dissipation Capacitance	Cpd	No load, $f=1\text{MHz}$	12	pF

■ TEST CIRCUIT AND WAVEFORMS



Note: C_L includes probe and jig capacitance.

UTC assumes no responsibility for equipment failures that result from using products at values that exceed, even momentarily, rated values (such as maximum ratings, operating condition ranges, or other parameters) listed in products specifications of any and all UTC products described or contained herein. UTC products are not designed for use in life support appliances, devices or systems where malfunction of these products can be reasonably expected to result in personal injury. Reproduction in whole or in part is prohibited without the prior written consent of the copyright owner. The information presented in this document does not form part of any quotation or contract, is believed to be accurate and reliable and may be changed without notice.