



U74AHC245

CMOS IC

OCTAL BUS TRANSCEIVERS WITH 3-STATE OUTPUTS

DESCRIPTION

The **U74AHC245** octal bus transceivers is designed for asynchronous two-way communication between data buses. The control-function implementation minimizes external timing requirements.

The device allows data transmission from the A bus to the B bus or from the B bus to the A bus, depending on the logic level at the direction-control (DIR) input. The output-enable (\overline{OE}) input can be used to disable the device so that the buses are effectively isolated.

To ensure the high-impedance state during power up or power down, \overline{OE} should be tied to V_{CC} through a pullup resistor; the minimum value of the resistor is determined by the current-sinking capability of the driver.

FEATURES

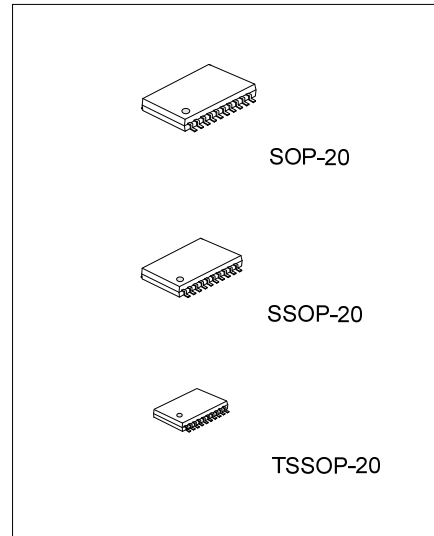
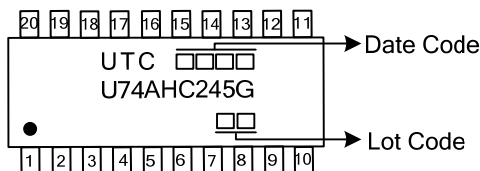
* Operating range 2V to 5.5V V_{CC}

ORDERING INFORMATION

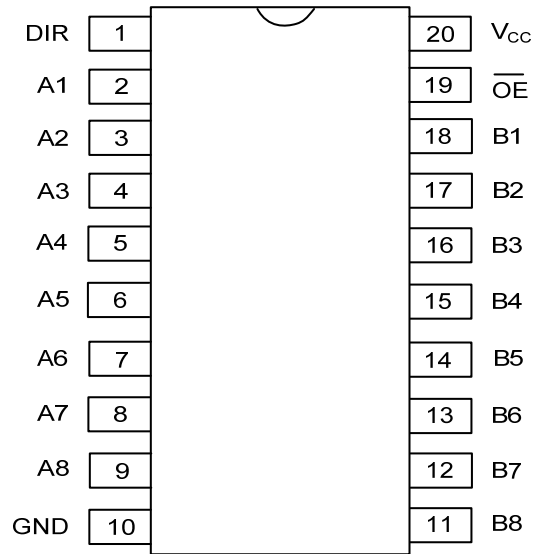
Ordering Number	Package	Packing
U74AHC245G-P20-R	TSSOP-20	Tape Reel
U74AHC245G-R20-R	SSOP-20	Tape Reel
U74AHC245G-S20-R	SOP-20	Tape Reel

<p>U74AHC245G-R20-T</p> <p>(1)Packing Type</p> <p>(2)Package Type</p> <p>(3)Green Package</p>	<p>(1) T: Tube, R: Tape Reel</p> <p>(2) R20: SSOP-20</p> <p>(3) G: Halogen Free and Lead Free</p>
---	---

MARKING



■ PIN CONFIGURATION

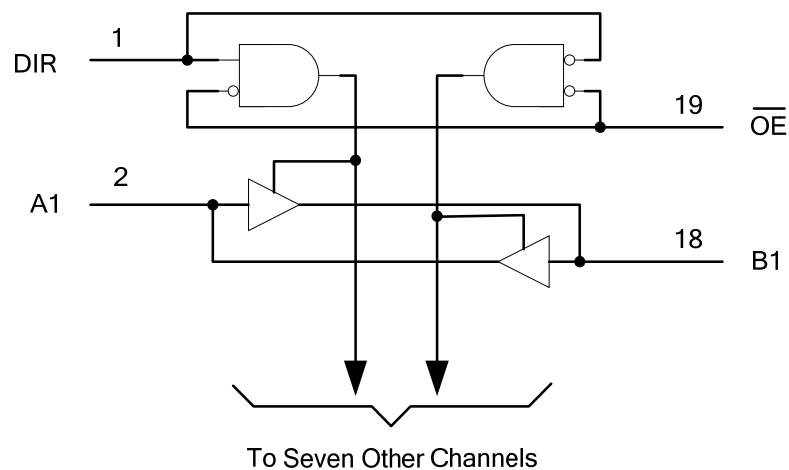


■ FUNCTION TABLE

INPUT		FUNCTION
\overline{OE}	DIR	
H	X	Isolation
L	H	Transmit data from A bus to B bus
L	L	Transmit data from B bus to A bus

Note: H: HIGH voltage level;
 L: LOW voltage level;
 X: Don't care

■ LOGIC DIAGRAM



■ ABSOLUTE MAXIMUM RATING ($T_A=25^{\circ}\text{C}$, unless otherwise specified)

PARAMETER	SYMBOL	RATINGS	UNIT
Supply Voltage	V_{CC}	-0.5~7.0	V
Input Voltage Range	V_I	-0.5~7.0	V
Output Voltage Range	V_O	-0.5~ $V_{CC}+0.5$	V
Input Clamp Current ($V_{IN}<0$)	I_{IK}	-20	mA
Output Clamp Current ($V_O<0$ or $V_O>V_{CC}$)	I_{OK}	± 20	mA
Output Current	I_{OUT}	± 25	mA
V_{CC} or GND Current	I_{CC}	± 75	mA
Storage Temperature	T_{STG}	-65 ~ +150	$^{\circ}\text{C}$

Notes: 1. Absolute maximum ratings are those values beyond which the device could be permanently damaged.

Absolute maximum ratings are stress ratings only and functional device operation is not implied.

2. The input and output voltage ratings may be exceeded if the input and output current ratings are observed.

■ RECOMMENDED OPERATING CONDITIONS ($T_A=25^{\circ}\text{C}$, unless otherwise specified)

PARAMETER	SYMBOL	MIN	TYP	MAX	UNIT
Supply Voltage	V_{CC}	2		5.5	V
Input Voltage	V_{IN}	0		5.5	V
Output Voltage	V_{OUT}	0		V_{CC}	V
Operating Temperature	T_{OPR}	-40		85	$^{\circ}\text{C}$
Input Transition Rise or Fall Rate	$\Delta t/\Delta v$			100	ns/V
				$V_{CC}=3.3\text{V}\pm 0.3\text{V}$	
				20	
Operating Free-air Temperature	T_A	-40		85	$^{\circ}\text{C}$

■ THERMAL CHARACTERISTICS

PARAMETER	SYMBOL	RATINGS	UNIT
Junction to Ambient	θ_{JA}	80	$^{\circ}\text{C}/\text{W}$
		96	$^{\circ}\text{C}/\text{W}$
		103	$^{\circ}\text{C}/\text{W}$

■ ELECTRICAL CHARACTERISTICS (T_A=25°C, unless otherwise specified)

PARAMETER	SYMBOL	TEST CONDITIONS	MIN	TYP	MAX	UNIT
HIGH-level input voltage	V _{IH}	V _{CC} =2V	1.5			V
		V _{CC} =3V	2.1			
		V _{CC} =5.5V	3.85			
LOW-level output voltage	V _{IL}	V _{CC} =2V			0.5	V
		V _{CC} =3V			0.9	
		V _{CC} =5.5V			1.65	
High-Level Output Voltage	V _{OH}	V _{CC} =2V, I _{OH} =-50μA	1.9	2		V
		V _{CC} =3V, I _{OH} =-50μA	2.9	3		
		V _{CC} =4.5V, I _{OH} =-50μA	4.4	4.5		
		V _{CC} =3V, I _{OH} =-4mA	2.58			
		V _{CC} =4.5V, I _{OH} =-8mA	3.94			
Low-Level Output Voltage	V _{OL}	V _{CC} =2V, I _{OL} =50μA			0.1	V
		V _{CC} =3V, I _{OL} =50μA			0.1	
		V _{CC} =4.5V, I _{OL} =50μA			0.1	
		V _{CC} =3V, I _{OL} =4mA			0.36	
		V _{CC} =4.5V, I _{OL} =8mA			0.36	
Input Leakage Current	A or B inputs	I _{I(LEAK)}	V _{CC} =5.5V, V _{IN} =V _{CC} or GND		±0.1	μA
	$\overline{\text{OE}}$ or DIR		V _{CC} =0 to 5.5V, V _{IN} =V _{CC} or GND			
Output OFF-state current	I _{OZ}	V _{CC} =5.5V, V _{OUT} =V _{CC} or GND			±0.25	μA
Quiescent Supply Current	I _Q	V _{CC} =5.5V, V _{IN} =V _{CC} or GND, I _{OUT} =0			4	μA
Input Capacitance($\overline{\text{OE}}$ or DIR)	C _I	V _{CC} =5V, V _{IN} =V _{CC} or GND		2.5	10	pF
Input Capacitance(A or B inputs)	C _{IO}	V _{CC} =5V, V _{IN} =V _{CC} or GND		4		pF

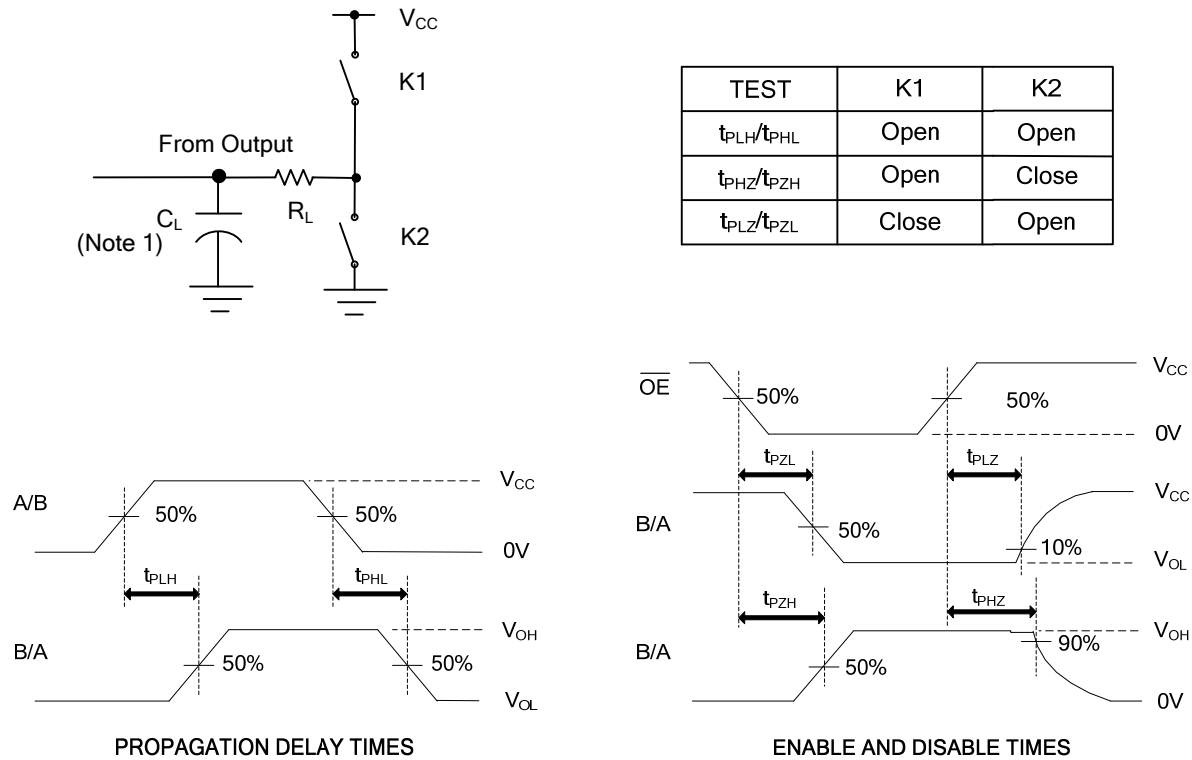
■ SWITCHING CHARACTERISTICS (R_L=1kΩ, T_A=25°C, unless otherwise specified)

PARAMETER	SYMBOL	TEST CONDITIONS	MIN	TYP	MAX	UNIT
Propagation delay from input (A or B) to output (B or A)	t _{pd} (t _{PLH} /t _{PHL})	V _{CC} =3.3V±0.3V, C _L =15pF		5.8	8.4	ns
		V _{CC} =3.3V±0.3V, C _L =50pF		8.3	11.9	
		V _{CC} =5V±0.5V, C _L =15pF		4	5.5	
		V _{CC} =5V±0.5V, C _L =50pF		5.5	7.5	
3-state output enable time from input ($\overline{\text{OE}}$) to output (A or B)	t _{en} (t _{PZL} /t _{PZH})	V _{CC} =3.3V±0.3V, C _L =15pF		8.5	13.2	ns
		V _{CC} =3.3V±0.3V, C _L =50pF		11	16.7	
		V _{CC} =5V±0.5V, C _L =15pF		5.8	8.5	
		V _{CC} =5V±0.5V, C _L =50pF		7.3	10.6	
3-state output disable time from input ($\overline{\text{OE}}$) to output (A or B)	t _{dis} (t _{PLZ} /t _{PHZ})	V _{CC} =3.3V±0.3V, C _L =15pF		8.9	12.5	ns
		V _{CC} =3.3V±0.3V, C _L =50pF		11.5	15.8	
		V _{CC} =5V±0.5V, C _L =15pF		5.6	7.8	
		V _{CC} =5V±0.5V, C _L =50pF		7	9.7	

■ OPERATING CHARACTERISTICS(V_{CC}=5V, T_A=25°C, unless otherwise specified)

PARAMETER	SYMBOL	TEST CONDITIONS	MIN	TYP	MAX	UNIT
Power Dissipation Capacitance	C _{PD}	No load, f=1MHz		14		pF

■ TEST CIRCUIT AND WAVEFORMS



- Notes: 1. C_L includes probe and jig capacitance.
- 2. All input pulses are supplied by generators having the following characteristics:
 $PRR \leq 1\text{MHz}$, $Z_0 = 50\Omega$, $t_r \leq 3\text{ns}$, $t_f \leq 3\text{ns}$.
- 3. The outputs are measured one at a time with one input transition per measurement.

Figure 1. Load Circuit and Voltage Waveforms

UTC assumes no responsibility for equipment failures that result from using products at values that exceed, even momentarily, rated values (such as maximum ratings, operating condition ranges, or other parameters) listed in products specifications of any and all UTC products described or contained herein. UTC products are not designed for use in life support appliances, devices or systems where malfunction of these products can be reasonably expected to result in personal injury. Reproduction in whole or in part is prohibited without the prior written consent of the copyright owner. The information presented in this document does not form part of any quotation or contract, is believed to be accurate and reliable and may be changed without notice.