



U74AHCT00

CMOS IC

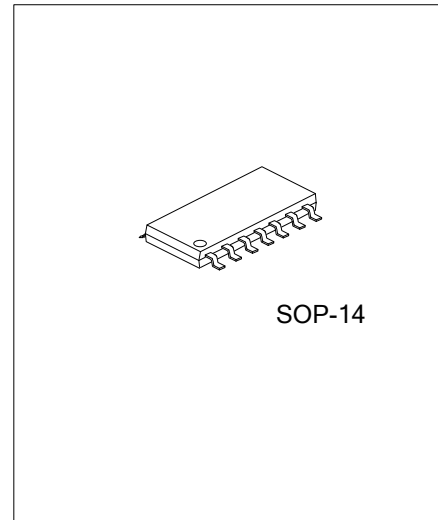
QUADRUPLE 2-INPUT POSITIVE-NAND GATE

DESCRIPTION

The **U74AHCT00** is a quadruple 2-input NAND gate which performs the function $Y=A \cdot B$ or $Y=A + B$.

FEATURES

- * Low Power Dissipation: $I_{CC} = 2.0 \mu A$ (Max.)
- * High Speed: $t_{PD} = 5ns$ (Typ.)
- * High Noise Immunity

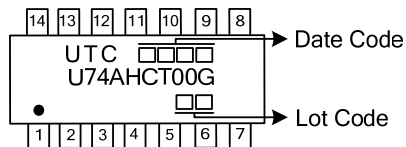


ORDERING INFORMATION

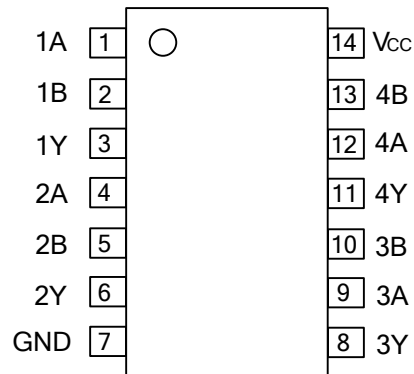
Ordering Number	Package	Packing
U74AHCT00G-S14-R	SOP-14	Tape Reel

<p>U74AHCT00G-S14-R</p> <ul style="list-style-type: none"> (1) Packing Type (2) Package Type (3) Green Package 	<ul style="list-style-type: none"> (1) R: Tape Reel (2) S14: SOP-14 (3) G: Halogen Free and Lead Free
-------------------------------------------------------------------------------------------------------------------------------------------------	----------------------------------------------------------------------------------------------------------------------------------------

MARKING



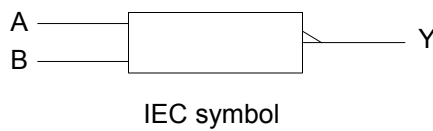
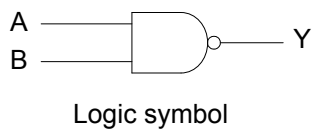
■ PIN CONFIGURATION



■ FUNCTION TABLE (Each Gate)

INPUTS		OUTPUT
A	B	Y
L	L	H
L	H	H
H	L	H
H	H	L

■ LOGIC DIAGRAM (Positive Logic)



■ ABSOLUTE MAXIMUM RATING (Note)

PARAMETER	SYMBOL	RATINGS	UNIT
Supply Voltage	V_{CC}	-0.5~7	V
Input Voltage	V_{IN}	-0.5~7	V
Output Voltage	V_{OUT}	-0.5~ $V_{CC}+0.5$	V
Input Clamp Current	I_{IK}	-20	mA
Output Clamp Current	I_{OK}	±20	mA
Output Current	I_{OUT}	±25	mA
V_{CC} or GND Current	I_{CC}	±50	mA
Storage Temperature	T_{STG}	-65 ~ +150	°C

Note: 1. The input and output voltage ratings may be exceeded if the input and output current ratings are observed.

2. Absolute maximum ratings are those values beyond which the device could be permanently damaged.

Absolute maximum ratings are stress ratings only and functional device operation is not implied.

■ RECOMMENDED OPERATING CONDITIONS

PARAMETER	SYMBOL	CONDITIONS	MIN	TYP	MAX	UNIT
Supply Voltage	V_{CC}		4.5		5.5	V
Input Voltage	V_{IN}		0		5.5	V
Output Voltage	V_{OUT}		0		V_{CC}	V
Input Transition Rise or Fall Rate	t_R / t_F	$V_{CC}=5.0+0.5V$			20	ns/V
Operating Temperature	T_A		-40		85	°C

■ STATIC CHARACTERISTICS

PARAMETER	SYMBOL	TEST CONDITIONS	MIN	TYP	MAX	UNIT
High-Level Input Voltage	V_{IH}	$V_{CC} = 4.5\sim 5.5 V$	2.0			V
Low-Level Input Voltage	V_{IL}	$V_{CC} = 4.5\sim 5.5 V$			0.8	V
High-Level Output Voltage	V_{OH}	$V_{CC} = 4.5V, I_{OH} = -50 \mu A$	4.4	4.5		V
		$V_{CC} = 4.5V, I_{OH} = -8 mA$	3.94			
Low-Level Output Voltage	V_{OL}	$V_{CC} = 4.5V, I_{OL} = 50\mu A$			0.1	V
		$V_{CC} = 4.5V, I_{OL} = 8 mA$			0.36	
Input Leakage Current	$I_{I(LEAK)}$	$V_{CC} = 0\sim 5.5V, V_{IN} = V_{CC}$ or GND			±0.1	µA
Quiescent Supply Current	I_Q	$V_{CC} = 5.5V, V_{IN} = V_{CC}$ or GND, $I_{OUT} = 0$			2	µA
Additional quiescent Supply Current	ΔI_Q	$V_{CC} = 5.5V, V_{IN} = 3.4V$; other input at V_{CC} or GND; $I_{OUT}=0$			1.35	mA
Input Capacitance	C_{IN}	$V_{CC} = 5V, V_{IN} = V_{CC}$ or GND		2	10	pF

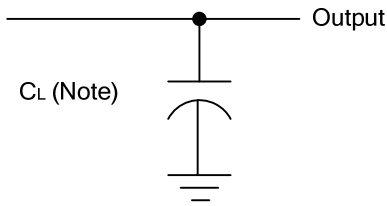
■ DYNAMIC CHARACTERISTICS ($t_R, t_F \leq 3 ns$)

PARAMETER	SYMBOL	TEST CONDITIONS	MIN	TYP	MAX	UNIT
Propagation delay from input (A and B) to output (Y)	t_{PLH}	$V_{CC} = 5\pm 0.5 V, C_L = 15 pF$		5	6.9	ns
	t_{PHL}			5	6.9	
	t_{PLH}	$V_{CC} = 5\pm 0.5 V, C_L = 50 pF$		5.5	7.9	
	t_{PHL}			5.5	7.9	

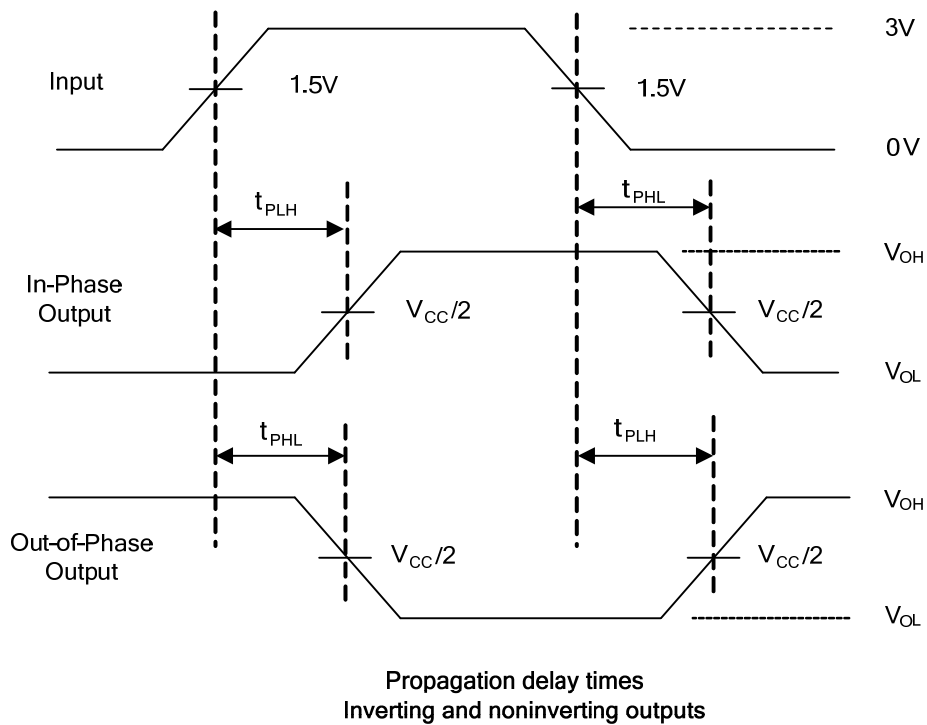
■ OPERATING CHARACTERISTICS ($V_{CC} = 5V; T_A = 25^\circ C$)

PARAMETER	SYMBOL	TEST CONDITIONS	TYP	UNIT
Power Dissipation Capacitance	C_{PD}	No load, $f=1MHz$	10.5	pF

■ TEST CIRCUIT AND WAVEFORM



Note: C_L includes probe and jig capacitance.



UTC assumes no responsibility for equipment failures that result from using products at values that exceed, even momentarily, rated values (such as maximum ratings, operating condition ranges, or other parameters) listed in products specifications of any and all UTC products described or contained herein. UTC products are not designed for use in life support appliances, devices or systems where malfunction of these products can be reasonably expected to result in personal injury. Reproduction in whole or in part is prohibited without the prior written consent of the copyright owner. The information presented in this document does not form part of any quotation or contract, is believed to be accurate and reliable and may be changed without notice.