



U74AHCT1G126

CMOS IC

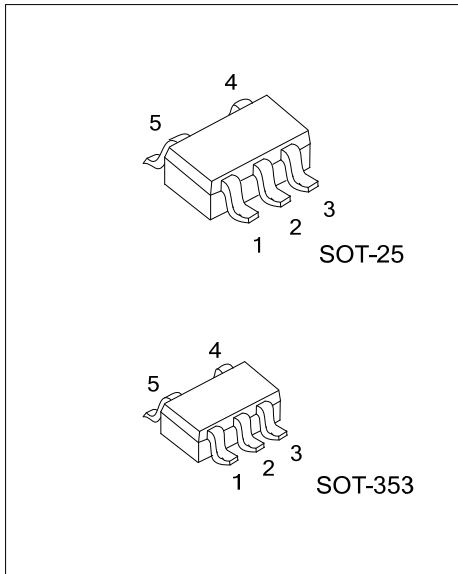
SINGLE BUS BUFFER GATE WITH 3-STATE OUTPUT

DESCRIPTION

The UTC **U74AHCT1G126** is a single bus buffer gate with 3-state output controlled by enable input (OE). When OE is LOW and the output is disabled.

FEATURES

- * Operation Voltage Range: 4.5~5.5V
- * Low Power Dissipation: $I_{CC}=1\mu A$ (Max.) @25°C
- * Inputs are TTL-Voltage Compatible

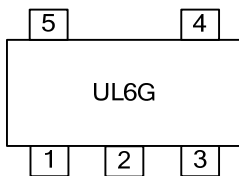


ORDERING INFORMATION

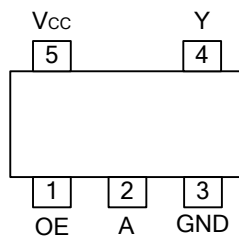
Ordering Number	Package	Packing
U74AHCT1G126G-AF5-R	SOT-25	Tape Reel
U74AHCT1G126G-AL5-R	SOT-353	Tape Reel

<p>U74AHCT1G126G-AF5-R</p> <p>(1) Packing Type (2) Package Type (3) Green Package</p>	<p>(1) R: Tape Reel (2) AF5: SOT-25, AL5: SOT-353 (3) G: Halogen Free and Lead Free</p>
---	---

MARKING



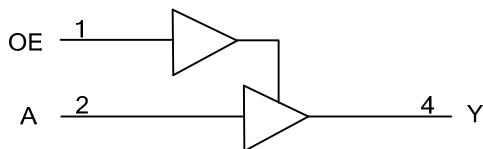
■ PIN CONFIGURATION



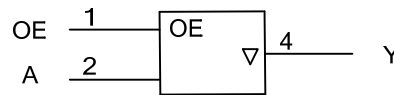
■ FUNCTION TABLE (each gate)

INPUT		OUTPUT
OE	A	Y
H	L	L
H	H	H
L	X	Z

■ LOGIC DIAGRAM (positive logic)



Logic symbol



IEC logic symbol

■ ABSOLUTE MAXIMUM RATINGS (unless otherwise specified)(Note 1)

PARAMETER	SYMBOL	RATINGS	UNIT
Supply Voltage	V_{CC}	-0.5~7	V
Input Voltage	V_{IN}	-0.5~7	V
Output Voltage	V_{OUT}	-0.5~ $V_{CC}+0.5$	V
Input Clamp Current	I_{IK}	-20	mA
Output Clamp Current	I_{OK}	± 20	mA
Output Current	I_{OUT}	± 25	mA
V_{CC} or GND Current	I_{CC}	± 50	mA
Storage Temperature	T_{STG}	-65 ~ +150	°C

Notes: 1. The input and output voltage ratings may be exceeded if the input and output current ratings are observed.

2. Absolute maximum ratings are those values beyond which the device could be permanently damaged.

Absolute maximum ratings are stress ratings only and functional device operation is not implied.

■ RECOMMENDED OPERATING CONDITIONS

PARAMETER	SYMBOL	CONDITIONS	MIN	TYP	MAX	UNIT
Supply Voltage	V_{CC}		4.5		5.5	V
Input Voltage	V_{IN}		0		5.5	V
Output Voltage	V_{OUT}		0		V_{CC}	V
Input Transition Rise or Fall Rate	$\Delta t/\Delta V$	$V_{CC}=5.0\pm 0.5V$			20	ns/V
Operating Temperature	T_A		-40		85	°C

■ STATIC CHARACTERISTICS ($T_A=25^\circ C$, unless otherwise specified)

PARAMETER	SYMBOL	TEST CONDITIONS	MIN	TYP	MAX	UNIT
Input Voltage	High-Level	V_{IH}	$V_{CC}=4.5V\sim 5.5V$	2		V
	Low-Level	V_{IL}	$V_{CC}=4.5V\sim 5.5V$		0.8	V
Output Voltage	High-Level	V_{OH}	$V_{CC}=4.5V, I_{OH}=-50\mu A$ $V_{CC}=4.5V, I_{OH}=-8mA$	4.4 3.94	4.5	V
	Low-Level	V_{OL}	$V_{CC}=4.5V, I_{OL}=50\mu A$ $V_{CC}=4.5V, I_{OH}=8mA$		0.1 0.36	V
Input Leakage Current	$I_{I(LEAK)}$	$V_{CC}=0V\sim 5.5V, V_{IN}=V_{CC}$ or GND			± 0.1	μA
Output Current, OFF-state	I_{OZ}	$V_{CC}=5.5V, V_{OUT}=V_{CC}$ or GND			± 0.25	μA
Quiescent Supply Current	I_Q	$V_{CC}=5.5V, V_{IN}=V_{CC}$ or GND $I_{OUT}=0$			1	μA
Additional Quiescent Supply Current	ΔI_{CC}	$V_{CC}=5.5V$, One input at 3.4V, Other input at V_{CC} or GND			1.35	mA
Input Capacitance	C_{IN}	$V_{CC}=5V, V_{IN}=V_{CC}$ or GND		4	10	pF
Output Capacitance	C_{OUT}	$V_{CC}=5V, V_{OUT}=V_{CC}$ or GND		10		pF

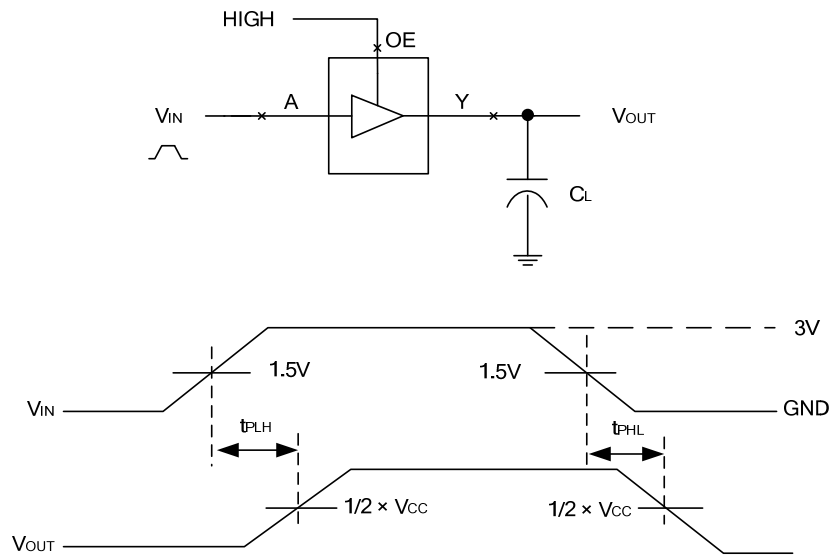
■ DYNAMIC CHARACTERISTICS ($T_A=25^\circ C$, Input: $t_r, t_f \leq 3ns$; $P_{RR} \leq 1MHz$, unless otherwise specified)

PARAMETER	SYMBOL	TEST CONDITIONS	MIN	TYP	MAX	UNIT		
Propagation delay from A to Y	t_{PLH}	$V_{CC}=5V\pm 0.5V, C_L=15pF$		3.8	5.5	ns		
	t_{PHL}			3.8	5.5			
Turn-on time OE to Y	t_{PZH}			3.6	5.1	ns		
	t_{PZL}			3.6	5.1			
Turn-off time OE to Y	t_{PHZ}			4.6	6.8	ns		
	t_{PLZ}			4.6	6.8			
Propagation delay from A to Y	t_{PLH}			$V_{CC}=5V\pm 0.5V, C_L=50pF$		5.3	7.5	ns
	t_{PHL}					5.3	7.5	
Turn-on time OE to Y	t_{PZH}	5.1	7.1			ns		
	t_{PZL}	5.1	7.1					
Turn-off time OE to Y	t_{PHZ}	6.1	8.8			ns		
	t_{PLZ}	6.1	8.8					

OPERATING CHARACTERISTICS

Power Dissipation Capacitance	C_{PD}	No load, $f=1MHz, V_{CC}=5V$		14		pF
-------------------------------	----------	------------------------------	--	----	--	----

■ TEST CIRCUIT AND WAVEFORMS



Note: C_L includes probe and jig capacitance.

Fig-1 Propagation delay from A to Y

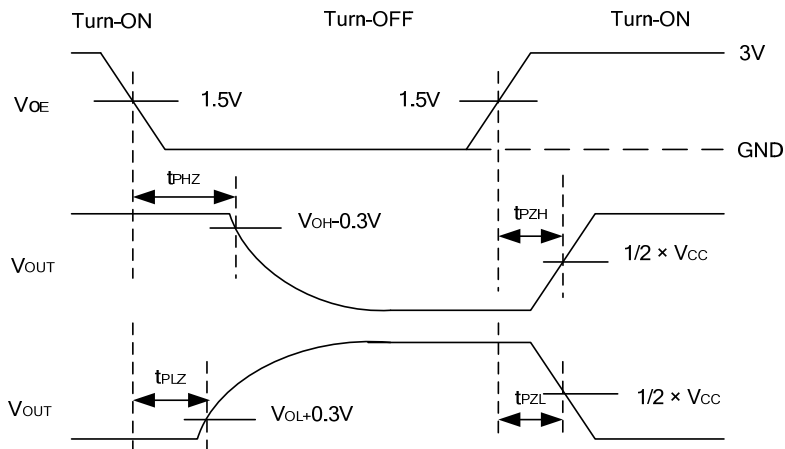
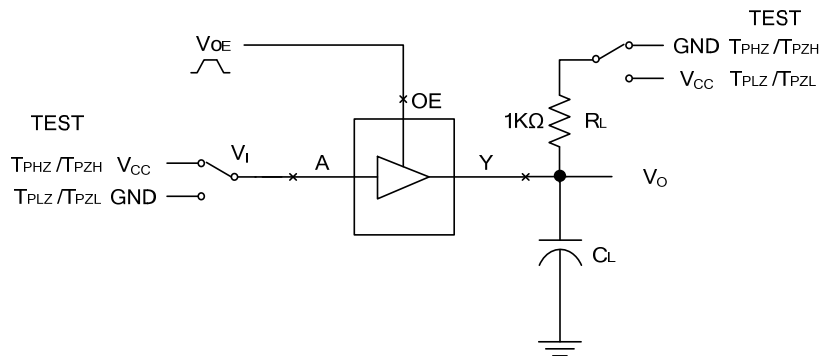


Fig-2 The turn-on and turn-off times.

UTC assumes no responsibility for equipment failures that result from using products at values that exceed, even momentarily, rated values (such as maximum ratings, operating condition ranges, or other parameters) listed in products specifications of any and all UTC products described or contained herein. UTC products are not designed for use in life support appliances, devices or systems where malfunction of these products can be reasonably expected to result in personal injury. Reproduction in whole or in part is prohibited without the prior written consent of the copyright owner. The information presented in this document does not form part of any quotation or contract, is believed to be accurate and reliable and may be changed without notice.