



U74HC20

CMOS IC

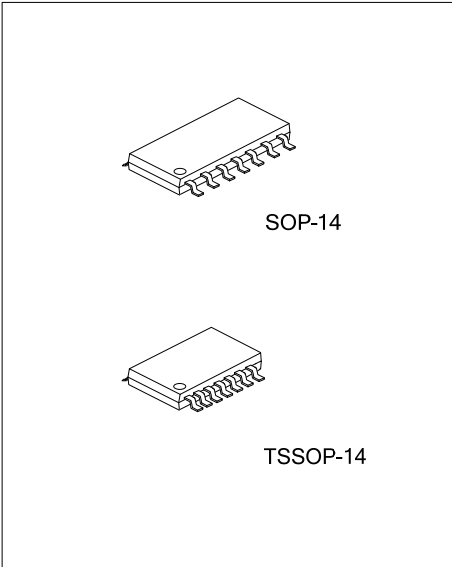
DUAL 4-INPUT NAND GATES

DESCRIPTION

The **U74HC20** contains two independent 4-input NAND gates. They perform the Boolean function $Y = \overline{A \cdot B \cdot C \cdot D}$ or $Y = \overline{A} + \overline{B} + \overline{C} + \overline{D}$ in positive logic.

FEATURES

- * Operation voltage range: 2~6V
- * Low Quiescent Current: $I_{CC} = 2\mu A$ (Max)
- * High speed: $t_{PD} = 11ns$ (Typ)
- * Low input current: 100nA (Max)



ORDERING INFORMATION

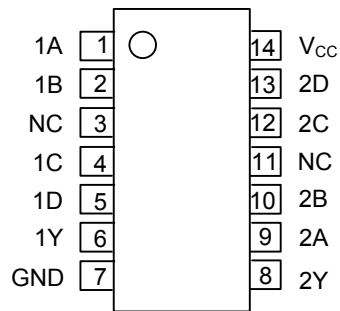
Ordering Number	Package	Packing
U74HC20G-S14-R	SOP-14	Tape Reel
U74HC20G-P14-R	TSSOP-14	Tape Reel

<p>U74HC20G-P14-R</p> <ul style="list-style-type: none"> (1) Packing Type (2) Package Type (3) Green Package 	<ul style="list-style-type: none"> (1) R: Tape Reel (2) S14: SOP-14, P14: TSSOP-14 (3) G: Halogen Free and Lead Free
---	---

MARKING

SOP-14	TSSOP-14

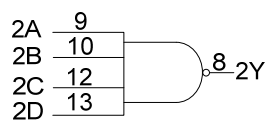
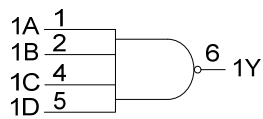
■ PIN CONFIGURATION



■ FUNCTION TABLE (each gate)

INPUT(A)	INPUT(B)	INPUT(C)	INPUT(D)	OUTPUT(Y)
H	H	H	H	L
L	X	X	X	H
X	L	X	X	H
X	X	L	X	H
X	X	X	L	H

■ LOGIC DIAGRAM



■ ABSOLUTE MAXIMUM RATING (unless otherwise specified)

PARAMETER	SYMBOL	RATINGS	UNIT
Supply Voltage	V_{CC}	-0.5~7	V
Input Clamp Current	I_{IK}	-20	mA
Output Clamp Current	I_{OK}	± 20	mA
Output Current	I_{OUT}	± 25	mA
V_{CC} or GND Current	I_{CC}	± 50	mA
Storage Temperature	T_{STG}	-65 ~ +150	$^{\circ}C$

Note: Absolute maximum ratings are those values beyond which the device could be permanently damaged.
 Absolute maximum ratings are stress ratings only and functional device operation is not implied.

■ THERMAL DATA

PARAMETER	SYMBOL	RATINGS	UNIT	
Junction to Ambient	SOP-14	θ_{JA}	76	$^{\circ}C/W$
	TSSOP-14		113	$^{\circ}C/W$

■ RECOMMENDED OPERATING CONDITIONS

PARAMETER	SYMBOL	CONDITIONS	MIN	TYP	MAX	UNIT
Supply Voltage	V_{CC}		2		6	V
Input Voltage	V_{IN}		0		V_{CC}	V
Output Voltage	V_{OUT}		0		V_{CC}	V
Input Transition Rise or Fall Rate	t_R, t_F	$V_{CC}=2V$			1000	ns
		$V_{CC}=4.5V$			500	
		$V_{CC}=6V$			400	
Operating Temperature	T_A		-40		85	$^{\circ}C$

■ STATIC CHARACTERISTICS ($T_A = 25^{\circ}C$)

PARAMETER	SYMBOL	TEST CONDITIONS	MIN	TYP	MAX	UNIT
High-Level Input Voltage	V_{IH}	$V_{CC} = 2V$	1.5			V
		$V_{CC} = 4.5V$	3.15			
		$V_{CC} = 6V$	4.2			
Low-Level Input Voltage	V_{IL}	$V_{CC} = 2V$			0.5	V
		$V_{CC} = 4.5V$			1.35	
		$V_{CC} = 6V$			1.8	
High-Level Output Voltage	V_{OH}	$V_{CC} = 2V, I_{OH} = 20\mu A$	1.9	1.998		V
		$V_{CC} = 4.5V, I_{OH} = 20\mu A$	4.4	4.999		
		$V_{CC} = 6V, I_{OH} = 20\mu A$	5.9	5.999		
		$V_{CC} = 4.5V, I_{OH} = 4mA$	3.98	4.3		
		$V_{CC} = 6V, I_{OH} = 5.2mA$	5.48	5.8		
Low-Level Output Voltage	V_{OL}	$V_{CC} = 2V, I_{OL} = 20\mu A$		0.002	0.1	V
		$V_{CC} = 4.5V, I_{OL} = 20\mu A$		0.001	0.1	
		$V_{CC} = 6V, I_{OL} = 20\mu A$		0.001	0.1	
		$V_{CC} = 4.5V, I_{OL} = 4mA$		0.17	0.26	
		$V_{CC} = 6V, I_{OL} = 5.2mA$		0.15	0.26	
Input Leakage Current	$I_{I(LEAK)}$	$V_{CC} = 6V, V_{IN} = V_{CC}$ or GND		± 0.1	± 100	nA
Quiescent Supply Current	I_Q	$V_{CC} = 6V, V_{IN} = V_{CC}$ or GND, $I_{OUT} = 0$			2	μA
Input Capacitance	C_{IN}	$V_{CC} = 2V \sim 6V$		3	10	pF

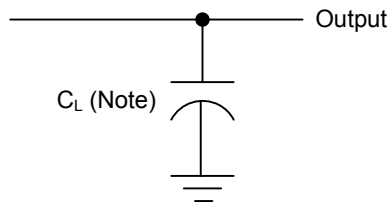
■ DYNAMIC CHARACTERISTICS ($T_A=25^\circ\text{C}$, Input: $t_R=t_F=6\text{ns}$, unless otherwise specified)

PARAMETER	SYMBOL	TEST CONDITIONS	MIN	TYP	MAX	UNIT
Propagation delay from Input(A, B, C or D) to Output(Y)	t_{PLH}, t_{PHL}	$V_{CC}=2\text{V}, C_L=50\text{pF}$		45	110	ns
		$V_{CC}=4.5\text{V}, C_L=50\text{pF}$		14	22	
		$V_{CC}=6\text{V}, C_L=50\text{pF}$		11	19	
Output Transition Time	t_T	$V_{CC}=2\text{V}, C_L=50\text{pF}$		27	75	ns
		$V_{CC}=4.5\text{V}, C_L=50\text{pF}$		9	15	
		$V_{CC}=6\text{V}, C_L=50\text{pF}$		7	13	

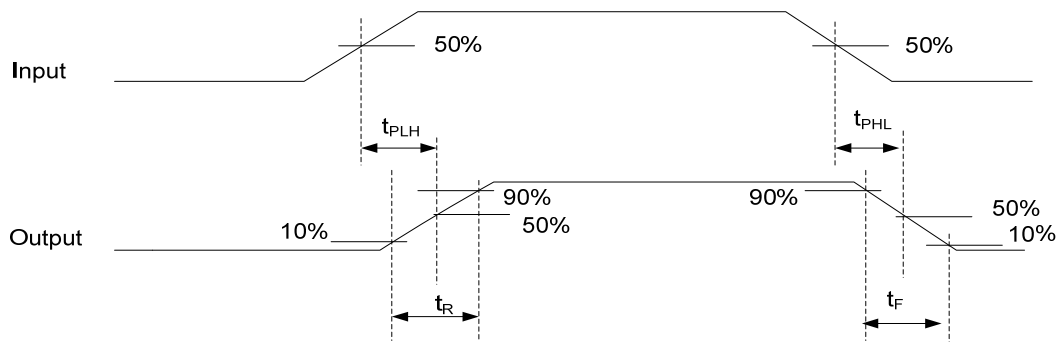
■ OPERATING CHARACTERISTICS ($T_A=25^\circ\text{C}$, unless otherwise specified)

PARAMETER	SYMBOL	TEST CONDITION	MIN	TYP	MAX	UNIT
Power Dissipation Capacitance	C_{PD}	No load		25		pF

TEST CIRCUIT AND WAVEFORMS



Note : C_L includes probe and jig capacitance.



UTC assumes no responsibility for equipment failures that result from using products at values that exceed, even momentarily, rated values (such as maximum ratings, operating condition ranges, or other parameters) listed in products specifications of any and all UTC products described or contained herein. UTC products are not designed for use in life support appliances, devices or systems where malfunction of these products can be reasonably expected to result in personal injury. Reproduction in whole or in part is prohibited without the prior written consent of the copyright owner. The information presented in this document does not form part of any quotation or contract, is believed to be accurate and reliable and may be changed without notice.