



U74HCT3G04

CMOS IC

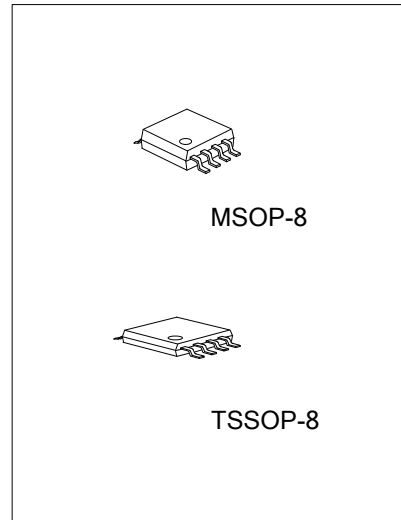
INVERTER

DESCRIPTION

The **U74HCT3G04** provides three inverters, it is compatible with TTL.

FEATURES

- * Low power dissipation
- * High speed
- * High noise immunity



ORDERING INFORMATION

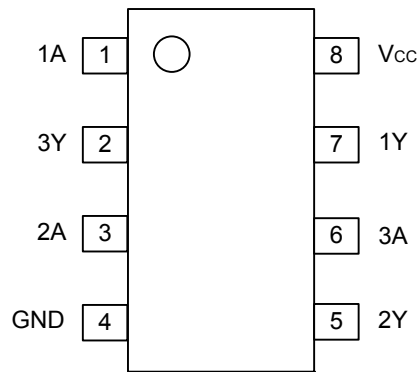
Ordering Number		Package	Packing
Lead Free	Halogen Free		
U74HCT3G04L-SM1-R	U74HCT3G04G-SM1-R	MSOP-8	Tape Reel
U74HCT3G04L-P08-R	U74HCT3G04G-P08-R	TSSOP-8	Tape Reel

<p>U74HCT3G04G-SM1-R</p> <p>(1) Packing Type (2) Package Type (3) Green Package</p>	<p>(1) R: Tape Reel (2) SM1: MSOP-8, P08: TSSOP-8 (3) G: Halogen Free and Lead Free, L: Lead Free</p>
---	---

MARKING

MSOP-8	TSSOP-8
<p>8 7 6 5 UTC □□□□ → Date Code HCT3G04 □ → L: Lead Free □ → G: Halogen Free ● □□ → Lot Code 1 2 3 4</p>	<p>1 2 3 4 UTC □□□□ → Date Code 3G04 □ → L: Lead Free □ → G: Halogen Free □□ → Lot Code 5 6 7 8</p>

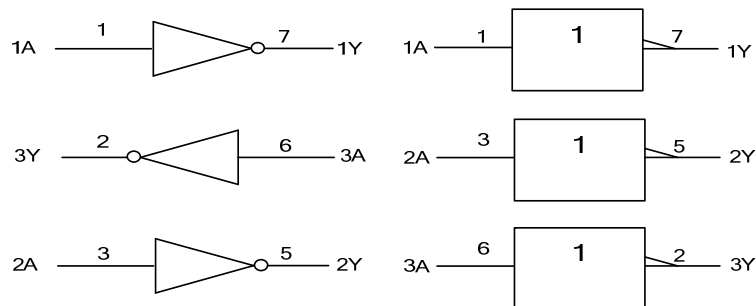
■ PIN CONFIGURATION



■ FUNCTION TABLE (each gate)

INPUT	OUTPUT
A	Y
L	H
H	L

■ LOGIC DIAGRAM (positive logic)



■ ABSOLUTE MAXIMUM RATINGS (unless otherwise specified)

PARAMETER	SYMBOL	RATINGS	UNIT
Supply Voltage	V_{CC}	-0.5~ 7	V
Input Voltage	V_{IN}	-0.5~ 7	V
Output Voltage	V_{OUT}	-0.5 ~ $V_{CC}+0.5$	V
Output Current	I_{OUT}	25	mA
V_{CC} or GND Current	I_{CC}	50	mA
Input Clamp Current	I_{IK}	±20	mA
Output Clamp Current	I_{OK}	±20	mA
Power Dissipation	P_D	300	mW
Storage Temperature	T_{STG}	-65 ~ +150	°C

Note: Absolute maximum ratings are those values beyond which the device could be permanently damaged.

Absolute maximum ratings are stress ratings only and functional device operation is not implied.

■ RECOMMENDED OPERATING CONDITIONS

PARAMETER	SYMBOL	CONDITIONS	MIN	TYP	MAX	UNIT
Supply Voltage	V_{CC}		4.5	5.0	5.5	V
Input Voltage	V_{IN}		0		V_{CC}	V
Output Voltage	V_{OUT}		0		V_{CC}	V
Input Transition Rise or Fall Rate	t_R, t_F	$V_{CC}=4.5V$		6.0	500	ns
Operating Temperature	T_A		-40		+125	°C

■ STATIC CHARACTERISTICS ($T_A=25^\circ C$, unless otherwise specified)

PARAMETER	SYMBOL	TEST CONDITIONS	MIN	TYP	MAX	UNIT
High-Level Input Voltage	V_{IH}	$V_{CC}=4.5V\sim 5.5V$	2.0	1.6		V
Low-Level Input Voltage	V_{IL}	$V_{CC}=4.5V\sim 5.5V$		1.2	0.8	V
High-Level Output Voltage	V_{OH}	$V_{CC}=4.5V, I_{OH}=-20\mu A$	4.4	4.5		V
		$V_{CC}=4.5V, I_{OH}=-4.0mA$	4.18	4.32		
Low-Level Output Voltage	V_{OL}	$V_{CC}=4.5V, I_{OL}=20\mu A$		0	0.1	V
		$V_{CC}=4.5V, I_{OL}=4.0mA$		0.15	0.26	
Input Leakage Current	$I_{I(LEAK)}$	$V_{CC}=5.5V, V_{IN}=V_{CC}$ or GND			±1.0	μA
Quiescent Supply Current	I_Q	$V_{CC}=5.5V, I_{OUT}=0, V_{IN}=V_{CC}$ or GND			10	μA
Additional Quiescent Supply Current	ΔI_Q	$V_{CC}=5.5V, I_{OUT}=0, V_{IN}=V_{CC}-2.1V$			300	μA
Input Capacitance	C_{IN}			1.5		pF

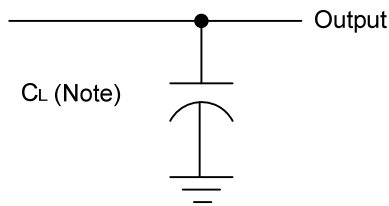
■ DYNAMIC CHARACTERISTICS ($t_R, t_F \leq 6.0ns$)

PARAMETER	SYMBOL	TEST CONDITIONS	MIN	TYP	MAX	UNIT
Propagation Delay From nA to nY	t_{PHL}/t_{PLH}	$V_{CC}=4.5V, C_L=50pF$		10	23	ns
Output Transition Time	t_{THL}/t_{TLH}	$V_{CC}=4.5V, C_L=50pF$		6	19	ns

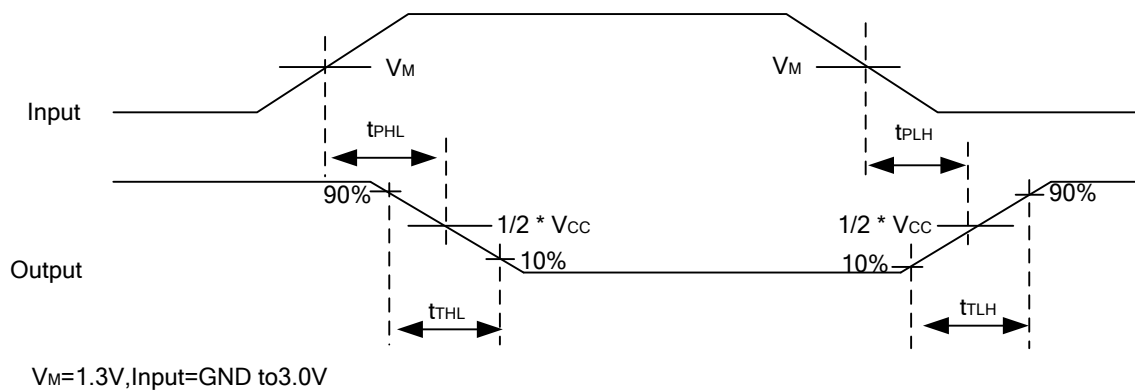
■ OPERATING CHARACTERISTIC

PARAMETER	SYMBOL	TEST CONDITIONS	MIN	TYP	MAX	UNIT
Power Dissipation Capacitance	C_{PD}			9		pF

■ TEST CIRCUIT AND WAVEFORMS



Note: C_L includes probe and jig capacitance.



UTC assumes no responsibility for equipment failures that result from using products at values that exceed, even momentarily, rated values (such as maximum ratings, operating condition ranges, or other parameters) listed in products specifications of any and all UTC products described or contained herein. UTC products are not designed for use in life support appliances, devices or systems where malfunction of these products can be reasonably expected to result in personal injury. Reproduction in whole or in part is prohibited without the prior written consent of the copyright owner. UTC reserves the right to make changes to information published in this document, including without limitation specifications and product descriptions, at any time and without notice. This document supersedes and replaces all information supplied prior to the publication hereof.