



U74LV164

CMOS IC

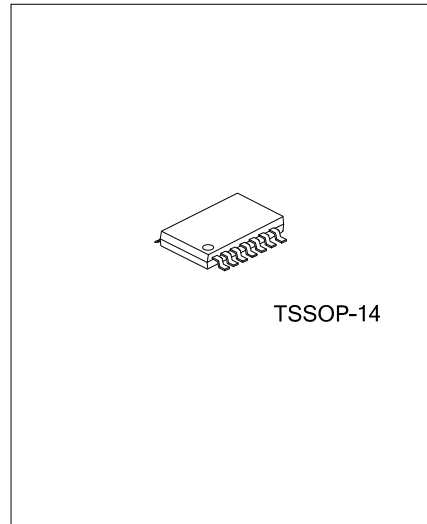
8-BIT SERIAL-IN/ PARALLEL-OUT SHIFT REGISTER

DESCRIPTION

The **U74LV164** is an 8-bit serial-in/parallel-out shift register. The logical AND of the A and B enters into Qn and shifts one place to right on each LOW-to-HIGH transition of the clock (CLK). A low level on the reset (\overline{CLR}) input clears all the register asynchronously and force all output LOW.

FEATURES

- * Wide supply voltage range from 2V to 5.5V
- * Inputs accept voltages up to 5.5V
- * Low static power consumption; $I_{CC}=20\mu A$ (Max.)
- * Optimized for 3.3V Operation
- * Support Mixed-Mode Voltage Operation on All Ports

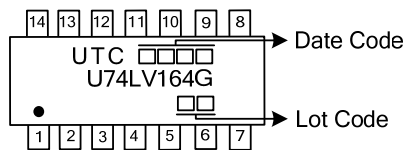


ORDERING INFORMATION

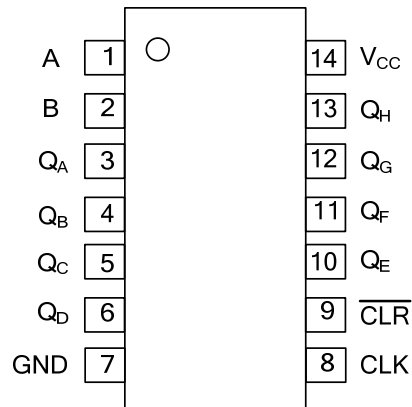
Ordering Number	Package	Packing
U74LV164G-P14-R	TSSOP-14	Tape Reel

<p>U74LV164G-P14-R</p> <ul style="list-style-type: none"> (1) Packing Type (2) Package Type (3) Green Package 	<ul style="list-style-type: none"> (1) R: Tape Reel (2) P14: TSSOP-14 (3) G: Halogen Free and Lead Free
--	--

MARKING



■ PIN CONFIGURATION

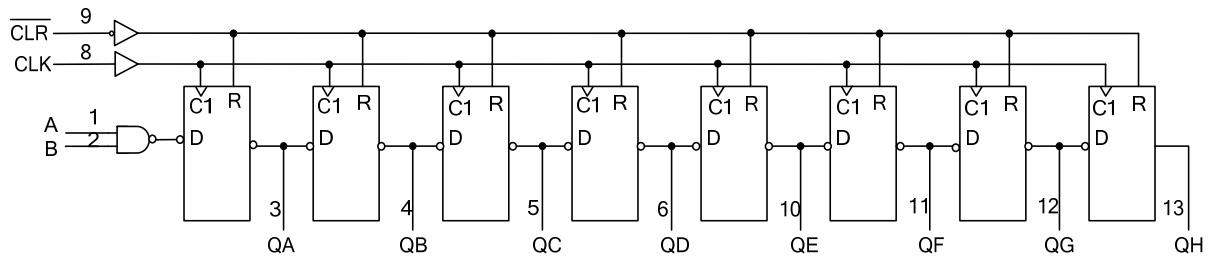


■ FUNCTION TABLE (each gate)

INPUTS				OUTPUTS		
$\overline{\text{CLR}}$	CLK	A	B	Q _A	Q _B	Q _H
L	X	X	X	L	L	L
H	L	X	X	Q _{A0}	Q _{B0}	Q _{H0}
H	↑	H	H	H	Q _{An}	Q _{Gn}
H	↑	L	X	L	Q _{An}	Q _{Gn}
H	↑	X	L	L	Q _{An}	Q _{Gn}

H = High voltage level ; L = Low voltage level ; X = Don't care

■ LOGIC DIAGRAM (positive gate)



■ ABSOLUTE MAXIMUM RATING

PARAMETER	SYMBOL	CONDITIONS	RATINGS	UNIT
Supply Voltage	V_{CC}		-0.5 ~ +7.0	V
Input Voltage (Note 2)	V_{IN}		-0.5 ~ +7.0	V
Output Voltage	V_{OUT}		-0.5 ~ +7.0	V
Continuous Output Current	I_{OUT}	$V_{OUT}=0V \sim V_{CC}$	±25	mA
Input Clamp Current	I_{IK}	$V_{IN} < 0$ or $V_{IN} > V_{CC}$	±20	mA
Output Clamp Current	I_{OK}	$V_{OUT} < 0$ or $V_{OUT} > V_{CC}$	±50	mA
Continuous Current Through V_{CC} or GND	I_{CC}		±50	mA
Storage Temperature Range	T_{STG}		-65 ~ +150	°C

Note: Absolute maximum ratings are those values beyond which the device could be permanently damaged. Absolute maximum ratings are stress ratings only and functional device operation is not implied.

■ RECOMMENDED OPERATING CONDITIONS

PARAMETER	SYMBOL	TEST CONDITIONS	MIN	TYP	MAX	UNIT
Supply Voltage	V_{CC}		2.0		5.5	V
Input Voltage	V_{IN}		0		5.5	V
Output Voltage	V_{OUT}		0		V_{CC}	V
Input Transition Rise or Fall Rate	$\Delta t/\Delta v$	$V_{CC}=2.5V\pm 0.2V$			200	ns/V
		$V_{CC}=3.3V\pm 0.3V$			100	ns/V
		$V_{CC}=5.0V\pm 0.5V$			20	ns/V
Operating Temperature	T_A		-40		+85	°C

■ ELECTRICAL CHARACTERISTICS ($T_A=25^\circ\text{C}$, unless otherwise specified)

PARAMETER	SYMBOL	TEST CONDITIONS	MIN	TYP	MAX	UNIT
High Level Input Voltage	V_{IH}	$V_{CC}=2V$	1.5			V
		$V_{CC}=2.5V\pm 0.2V$	$0.7\times V_{CC}$			V
		$V_{CC}=3.3V\pm 0.3V$	$0.7\times V_{CC}$			V
		$V_{CC}=5.0V\pm 0.5V$	$0.7\times V_{CC}$			V
Low Level Input Voltage	V_{IL}	$V_{CC}=2.0V$			0.5	V
		$V_{CC}=2.5V\pm 0.2V$			$0.3\times V_{CC}$	V
		$V_{CC}=3.3V\pm 0.3V$			$0.3\times V_{CC}$	V
		$V_{CC}=5.0V\pm 0.5V$			$0.3\times V_{CC}$	V
High-Level Output Voltage	V_{OH}	$V_{CC}=2V \sim 5.5V, I_{OH}=-50\mu A$	$V_{CC}-0.1$			V
		$V_{CC}=2.3V, I_{OH}=-2mA$	2			V
		$V_{CC}=3V, I_{OH}=-6mA$	2.48			V
		$V_{CC}=4.5V, I_{OH}=-12mA$	3.8			V
Low-Level Output Voltage	V_{OL}	$V_{CC}=2V \sim 5.5V, I_{OH}=50\mu A$			0.1	V
		$V_{CC}=2.3V, I_{OH}=2mA$			0.4	V
		$V_{CC}=3V, I_{OH}=6mA$			0.44	V
		$V_{CC}=4.5V, I_{OH}=12mA$			0.55	V
Input Leakage Current	$I_{I(LEAK)}$	$V_{CC}=0\sim 5.5V, V_{IN}=V_{CC}$ or GND			±1	μA
Quiescent Supply Current	I_{CC}	$V_{CC}=5.5V, V_{IN}=V_{CC}$ or GND, $I_{OUT}=0A$			20	μA
Additional Quiescent Supply Current Per Input Pin	ΔI_{CC}	$V_{CC}=5.5V$, One input at 0.6V, Other inputs at V_{CC} or GND			500	μA
Input Capacitance	C_I	$V_{CC}=3.3V, V_{IN}=V_{CC}$ or GND		2.2		pF

■ TIMING REQUIREMENTS

PARAMETER	SYMBOL	TEST CONDITIONS	MIN	TYP	MAX	UNIT
Pulse duration CLK High or Low	t_w	$V_{CC}=2.5\pm0.2V$	6			ns
		$V_{CC}=3.3\pm0.3V$	5			ns
		$V_{CC}=5\pm0.5V$	5			ns
Pulse duration CLR Low	t_w	$V_{CC}=2.5\pm0.2V$	6.5			ns
		$V_{CC}=3.3\pm0.3V$	5			ns
		$V_{CC}=5\pm0.5V$	5			ns
Setup Time A and B to CLK \uparrow	t_{SU}	$V_{CC}=2.5\pm0.2V$	6.5			ns
		$V_{CC}=3.3\pm0.3V$	5			ns
		$V_{CC}=5\pm0.5V$	4.5			ns
Setup Time CLR inactive	t_{SU}	$V_{CC}=2.5\pm0.2V$	3			ns
		$V_{CC}=3.3\pm0.3V$	2.5			ns
		$V_{CC}=5\pm0.5V$	2.5			ns
Hold Time A and B to CLK \uparrow	t_H	$V_{CC}=2.5\pm0.2V$	-0.5			ns
		$V_{CC}=3.3\pm0.3V$	0			ns
		$V_{CC}=5\pm0.5V$	1			ns

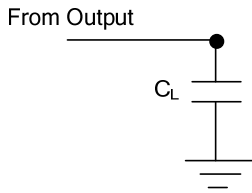
■ SWITCHING CHARACTERISTICS ($T_A = 25^\circ C$, unless otherwise specified)

PARAMETER	SYMBOL	TEST CONDITIONS	MIN	TYP	MAX	UNIT	
Maximum frequency	f_{MAX}	$C_L=15pF,$ $R_L=1M\Omega$	$V_{CC}=2.5\pm0.2V$	55	105		ns
			$V_{CC}=3.3\pm0.3V$	80	155		ns
			$V_{CC}=5\pm0.5V$	125	220		ns
		$C_L=50pF,$ $R_L=1M\Omega$	$V_{CC}=2.5\pm0.2V$	45	85		ns
			$V_{CC}=3.3\pm0.3V$	50	120		ns
			$V_{CC}=5\pm0.5V$	85	165		ns
Propagation delay from input (CLK) to output(Q)	t_{PD}	$C_L=15pF,$ $R_L=1M\Omega$	$V_{CC}=2.5\pm0.2V$		9.2	17.6	ns
			$V_{CC}=3.3\pm0.3V$		6.4	12.8	ns
			$V_{CC}=5\pm0.5V$		4.5	9	ns
		$C_L=50pF,$ $R_L=1M\Omega$	$V_{CC}=2.5\pm0.2V$		11.5	21.1	ns
			$V_{CC}=3.3\pm0.3V$		8.3	16.3	ns
			$V_{CC}=5\pm0.5V$		6	11	ns
Propagation delay from input(CLR) to output(Q)	t_{PHL}	$C_L=15pF,$ $R_L=1M\Omega$	$V_{CC}=2.5\pm0.2V$		8.6	16	ns
			$V_{CC}=3.3\pm0.3V$		6	12.8	ns
			$V_{CC}=5\pm0.5V$		4.2	8.6	ns
		$C_L=50pF,$ $R_L=1M\Omega$	$V_{CC}=2.5\pm0.2V$		10.8	19.5	ns
			$V_{CC}=3.3\pm0.3V$		7.9	16.3	ns
			$V_{CC}=5\pm0.5V$		5.8	10.6	ns

■ OPERATING CHARACTERISTICS ($T_A = 25^\circ C$, unless otherwise specified)

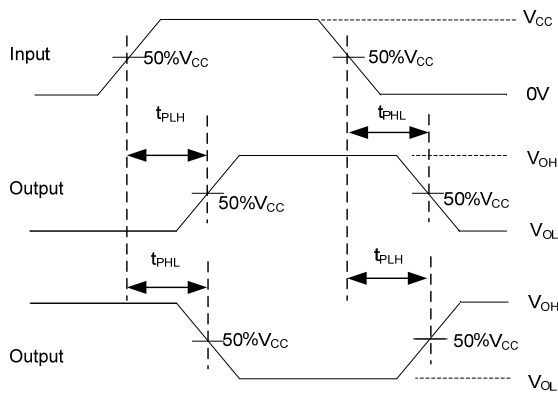
PARAMETER	SYMBOL	TEST CONDITIONS	MIN	TYP	MAX	UNIT
Power Dissipation Capacitance	C_{PD}	$V_{CC}=3.3V, f=10MHz$		48		pF

■ TEST CIRCUIT AND WAVEFORMS

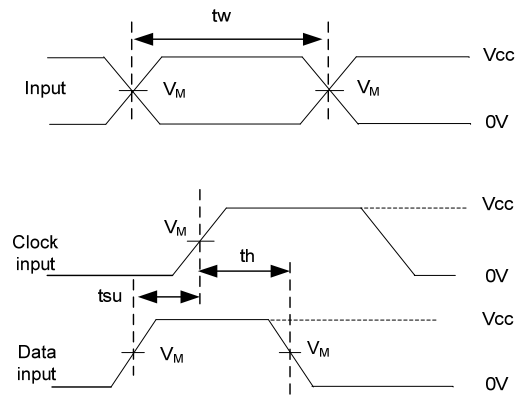


TEST CIRCUIT

Note : C_L includes probe and jig capacitance.



PROPAGATION DELAY TIMES



PROPAGATION DELAY FROM INPUT TO OUTPUT AND INPUT VOLTAGE WAVEFORMS.

- Notes: 1. C_L includes probe and jig capacitance.
 2. All input pulses are supplied by generators having the following characteristics: PRR $\leq 1\text{MHz}$, $Z_O = 50\Omega$.

UTC assumes no responsibility for equipment failures that result from using products at values that exceed, even momentarily, rated values (such as maximum ratings, operating condition ranges, or other parameters) listed in products specifications of any and all UTC products described or contained herein. UTC products are not designed for use in life support appliances, devices or systems where malfunction of these products can be reasonably expected to result in personal injury. Reproduction in whole or in part is prohibited without the prior written consent of the copyright owner. The information presented in this document does not form part of any quotation or contract, is believed to be accurate and reliable and may be changed without notice.