



U74LV4052

CMOS IC

DUAL 4-CHANNEL ANALOG MULTIPLEXERS/DEMULTIPLEXERS

DESCRIPTION

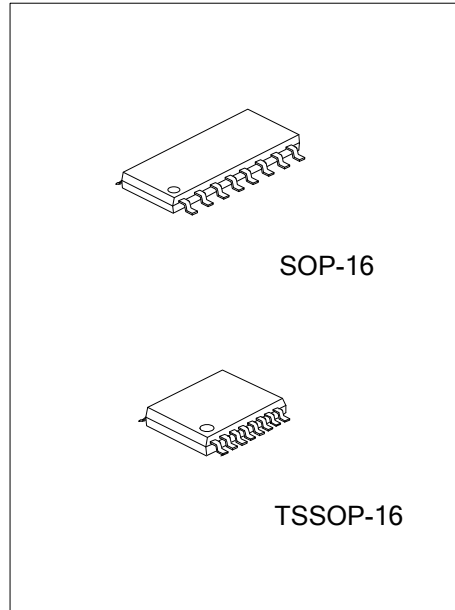
These dual 4-channel CMOS analog multiplexers/demultiplexers are designed for 2-V to 5.5-V V_{CC} operation.

The **U74LV4052** handles both analog and digital signals. Each channel permits signals with amplitudes up to 5.5V (peak) to be transmitted in either direction.

Applications include signal gating, chopping, modulation or demodulation (modem), and signal multiplexing for analog-to-digital and digital-to-analog conversion systems.

FEATURES

- * 2-V to 5.5-V V_{CC} Operation
- * Fast Switching
- * High On-Off Output-Voltage Ratio
- * Low Crosstalk Between Switches
- * Extremely Low Input Current

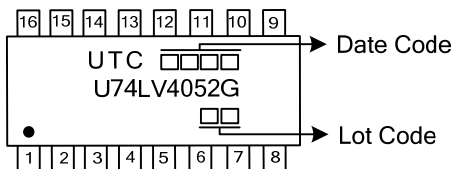


ORDERING INFORMATION

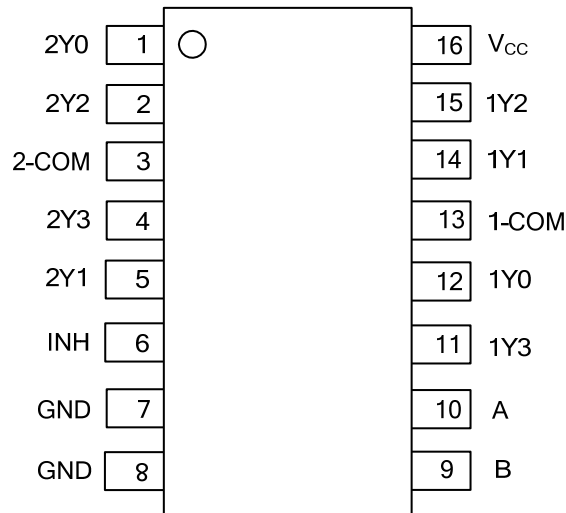
Ordering Number	Package	Packing
U74LV4052G-S16-R	SOP-16	Tape Reel
U74LV4052G-P16-R	TSSOP-16	Tape Reel

<p>U74LV4052G-S16-R</p> <p>(1) Packing Type (2) Package Type (3) Green Package</p>	<p>(1) R: Tape Reel (2) S16: SOP-16, P16: TSSOP-16 (3) G: Halogen Free and Lead Free</p>
--	--

MARKING



■ PIN CONFIGURATION

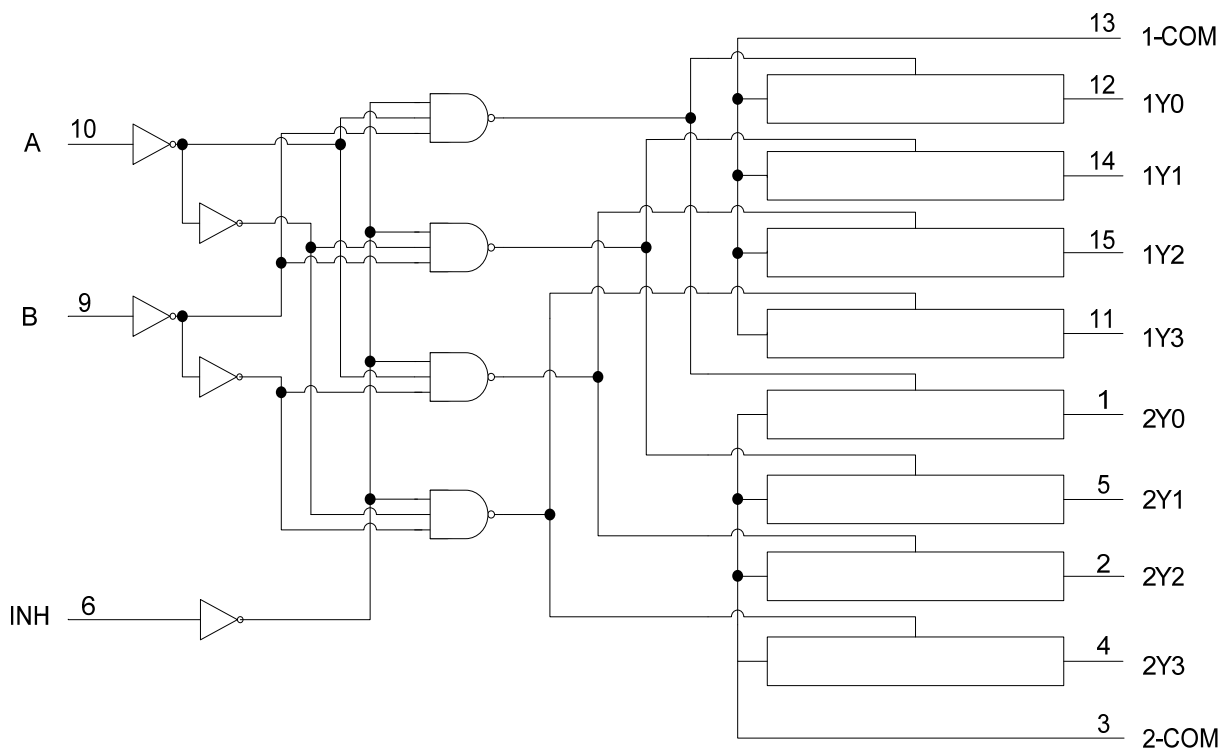


■ FUNCTION TABLE

INPUTS			ON Channel
INH	B	A	
L	L	L	1Y0, 2Y0
L	L	H	1Y1, 2Y1
L	H	L	1Y2, 2Y2
L	H	H	1Y3, 2Y3
H	X	X	None

Note: H: HIGH voltage level; L: LOW voltage level; X: Don't care

■ LOGIC DIAGRAM (positive logic)



■ ABSOLUTE MAXIMUM RATING

PARAMETER	SYMBOL	RATINGS	UNIT
Supply voltage range	V_{CC}	-0.5 ~ +7.0	V
Input voltage range	V_{IN}	-0.5 ~ +7.0	V
Switch I/O voltage range	V_{IO}	-0.5~ V_{CC} +0.5	V
Input clamp current	I_{IK}	-20	mA
I/O diode Current	I_{IOK}	-50	mA
Switch through current	I_T	±25	mA
Continuous current through V_{CC} or GND	I_{CC}	±50	mA
Storage temperature range	T_{STG}	-65 ~ +150	°C

■ THERMAL DATA

PARAMETER	SYMBOL	RATINGS	UNIT
Junction to Ambient	SOP-16	73	°C/W
	TSSOP-16	108	°C/W

■ RECOMMENDED OPERATING CONDITIONS

PARAMETER	SYMBOL	TEST CONDITIONS	MIN	TYP	MAX	UNIT
Supply Voltage	V_{CC}		2.0		5.5	V
Control Input Voltage	V_{IN}		0		5.5	V
Input/output Voltage	V_{IO}		0		V_{CC}	V
Input Transition Rise or Fall rate	$\Delta t/\Delta v$	$V_{CC}=2.3V$ to $2.7V$			200	ns/V
		$V_{CC}=3V$ to $3.6V$			100	
		$V_{CC}=4.5V$ to $5.5V$			20	
Operating free-air temperature	T_A		-40		+85	°C

Note: All unused inputs of the device must be held at V_{CC} or GND to ensure proper device operation.

■ DC ELECTRICAL CHARACTERISTICS (T_A =25°C , unless otherwise specified)

PARAMETER		SYMBOL	TEST CONDITIONS	MIN	TYP	MAX	UNIT
Input voltage	High-level	V _{IH}	V _{CC} =2V	1.5			V
			V _{CC} =2.3 ~ 2.7V	V _{CC} ×0.7			
			V _{CC} =3 ~ 3.6V	V _{CC} ×0.7			
			V _{CC} =4.5 ~ 5.5V	V _{CC} ×0.7			
	Low-level	V _{IL}	V _{CC} =2V			0.5	
			V _{CC} =2.3 ~ 2.7V			V _{CC} ×0.3	
			V _{CC} =3 ~ 3.6V			V _{CC} ×0.3	
			V _{CC} =4.5 ~ 5.5V			V _{CC} ×0.3	
ON-state switch resistance	r _{ON}	V _{INH} =V _{IL} , V _I =V _{CC} or GND, I _T =2mA	V _{CC} =2.3V		43	180	Ω
			V _{CC} =3V		34	150	
			V _{CC} =4.5V		25	75	
Peak ON-state resistance	r _{ON(p)}	V _{INH} =V _{IL} , V _I =V _{CC} or GND I _T =2mA	V _{CC} =2.3V		133	500	Ω
			V _{CC} =3V		63	180	
			V _{CC} =4.5V		35	100	
Difference in on-state resistance between switches	Δr _{ON}	V _{INH} =V _{IL} , V _I =V _{CC} or GND I _T =2mA	V _{CC} =2.3V		1.5	30	Ω
			V _{CC} =3V		1.1	20	
			V _{CC} =4.5V		0.7	15	
Off-state switch leakage current	I _{S(off)}	V _I =V _{CC} and V _O =GND, or V _I =GND and V _O =V _{CC} , V _{INH} =V _{IH}	V _{CC} =5.5V			±0.1	μA
On-state switch leakage current	I _{S(on)}	V _{INH} =V _{IL} , V _I =V _{CC} or GND	V _{CC} =5.5V			±0.1	μA
Supply Current	I _{CC}	V _I =V _{CC} or GND	V _{CC} =5.5V			20	μA
Control input current	I _I	V _{IN} =5.5V or GND	V _{CC} =0 ~ 5.5V			±0.1	μA

■ AC ELECTRICAL CHARACTERISTICS (T_A =25°C , unless otherwise specified)

PARAMETER	SYMBOL	TEST CONDITIONS	MIN	TYP	MAX	UNIT
Propagation delay time from COM or Y to Y or COM	t _{PLH} /t _{PHL}	C _L =15pF	V _{CC} =2.5±0.2	1.9	10	ns
			V _{CC} =3.3±0.3	1.2	6	
			V _{CC} =5±0.5	0.7	4	
	C _L =50pF	V _{CC} =2.5±0.2	3.8	12	ns	
		V _{CC} =3.3±0.3	2.5	9		
		V _{CC} =5±0.5	1.5	6		
Enable delay time from INH to COM or Y	t _{PZH} /t _{PZL}	C _L =15pF	V _{CC} =2.5±0.2	8	18	ns
			V _{CC} =3.3±0.3	5.7	12	
			V _{CC} =5±0.5	4	8	
	C _L =50pF	V _{CC} =2.5±0.2	9.4	28	ns	
		V _{CC} =3.3±0.3	6.7	20		
		V _{CC} =5±0.5	4.7	14		
Disable delay time from INH to COM or Y	t _{PHZ} /t _{PLZ}	C _L =15pF	V _{CC} =2.5±0.2	8.3	18	ns
			V _{CC} =3.3±0.3	6.6	12	
			V _{CC} =5±0.5	5	8	
	C _L =50pF	V _{CC} =2.5±0.2	12.4	28	ns	
		V _{CC} =3.3±0.3	9.5	20		
		V _{CC} =5±0.5	6.9	14		

■ CAPACITANCE CHARACTERISTICS ($T_A=25^\circ\text{C}$, unless otherwise specified)

PARAMETER	SYMBOL	TEST CONDITIONS	MIN	TYP	MAX	UNIT
Control input capacitance	C_{IC}	$f=10\text{MHz}$, $V_{CC}=3.3\text{V}$		2.1		pF
COMMON terminal capacitance	C_{IS}	$V_{CC}=3.3\text{V}$		13.1		pF
SWITCH terminal capacitance	C_{OS}	$V_{CC}=3.3\text{V}$		5.6		pF
Feedthrough capacitance	C_F	$V_{CC}=3.3\text{V}$		0.5		pF

■ Analog Switch CHARACTERISTICS ($\text{GND}=0\text{V}$, $T_A=25^\circ\text{C}$, unless otherwise specified)

PARAMETER	SYMBOL	TEST CONDITIONS	MIN	TYP	MAX	UNIT
Sine-Wave Distortion from COM or Y to Y or COM	THD	$R_L=10\text{k}$, $C_L=50\text{p}$, $f_{IN}=1\text{kHz}$ (sine wave)	$V_{IN}=2\text{Vp-p}$ $V_{CC}=2.3\text{V}$		0.1	%
			$V_{IN}=2.5\text{Vp-p}$ $V_{CC}=3\text{V}$		0.1	%
			$V_{IN}=4\text{Vp-p}$ $V_{CC}=4.5\text{V}$		0.1	%
Frequency response(switch on) from COM or Y to Y or COM	f_{MAX}	$R_L=600\Omega$, $C_L=50\text{pF}$, $f_{IN}=1\text{MHz}$ (sine wave)	$V_{CC}=2.3\text{V}$		30	MHz
			$V_{CC}=3\text{V}$		35	MHz
			$V_{CC}=4.5\text{V}$		50	MHz
Feedthrough attenuation from COM or Y to Y or COM (switch off)		$R_L=600\Omega$, $C_L=50\text{pF}$, $f_{IN}=1\text{MHz}$ (sine wave)	$V_{CC}=2.3\text{V}$		-45	MHz
			$V_{CC}=3\text{V}$		-45	MHz
			$V_{CC}=4.5\text{V}$		-45	MHz
Crosstalk from COM or Y to Y or COM (between any switches)		$R_L=600\Omega$, $C_L=50\text{pF}$, $f_{IN}=1\text{MHz}$ (sine wave)	$V_{CC}=2.3\text{V}$		-45	MHz
			$V_{CC}=3\text{V}$		-45	MHz
			$V_{CC}=4.5\text{V}$		-45	MHz
Crosstalk from INH to COM or Y (control input to signal output)		$R_L=600\Omega$, $C_L=50\text{pF}$, $f_{IN}=1\text{MHz}$ (sine wave)	$V_{CC}=2.3\text{V}$		20	mV
			$V_{CC}=3\text{V}$		35	mV
			$V_{CC}=4.5\text{V}$		65	mV

■ OPERATING CHARACTERISTICS ($T_A=25^\circ\text{C}$, unless otherwise specified)

PARAMETER	SYMBOL	TEST CONDITIONS	MIN	TYP	MAX	UNIT
Power Dissipation Capacitance	C_{PD}	$C_L=50\text{pF}$, $f=10\text{MHz}$		11.8		pF

Note: 1. Adjust f_{IN} voltage to obtain 0 dBm at output. Increase fin frequency until dB meter reads -3 dB.
2. Adjust f_{IN} voltage to obtain 0 dBm at input.

■ TEST CIRCUIT AND WAVEFORMS

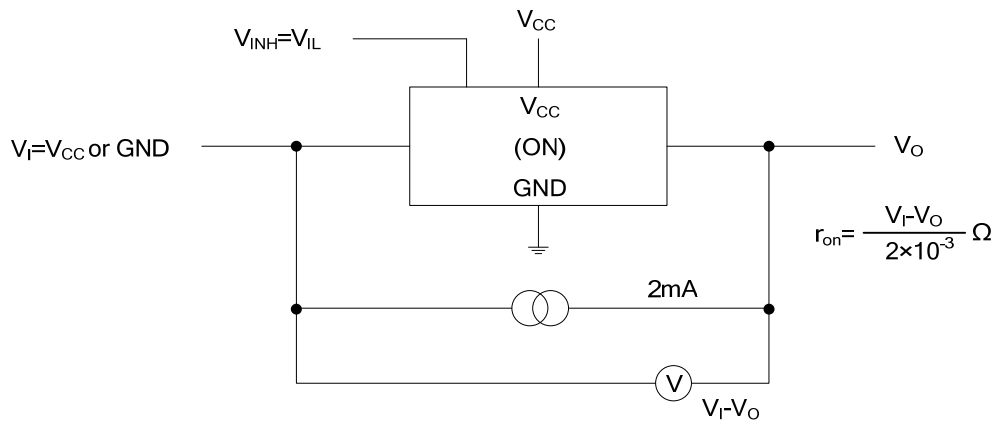


Fig. 1 On-State Resistance Test Circuit

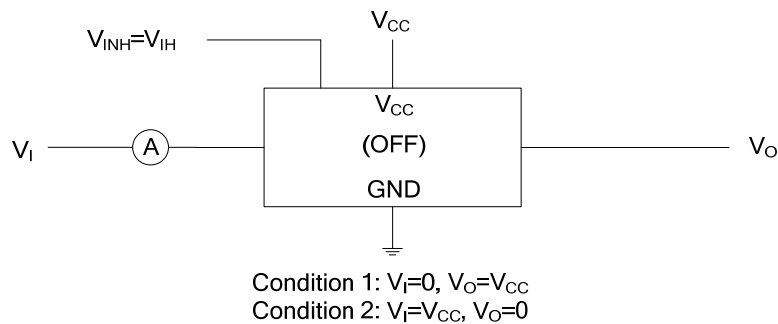


Fig. 2 Off-State Switch Leakage-Current Test Circuit

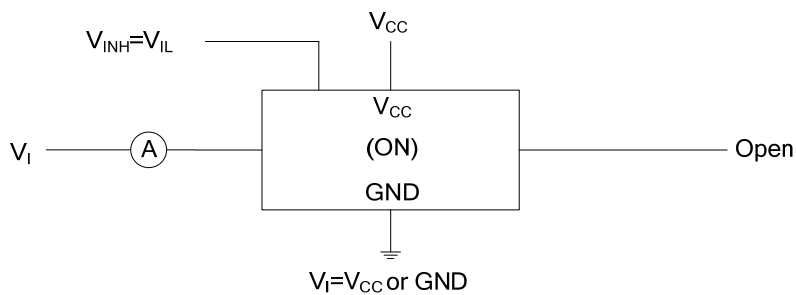


Fig. 3 On-State Switch Leakage-Current Test Circuit

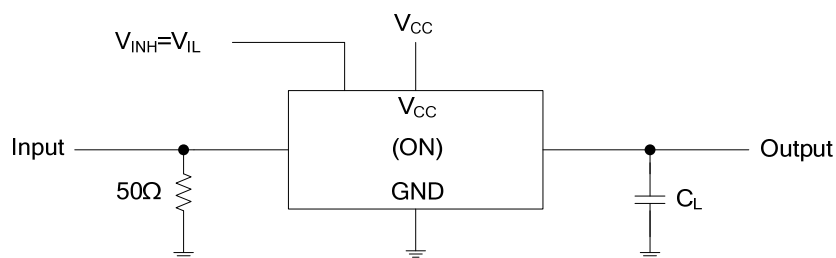


Fig. 4 Propagation Delay Time, Signal Input to Signal Output

■ TEST CIRCUIT AND WAVEFORMS (Cont.)

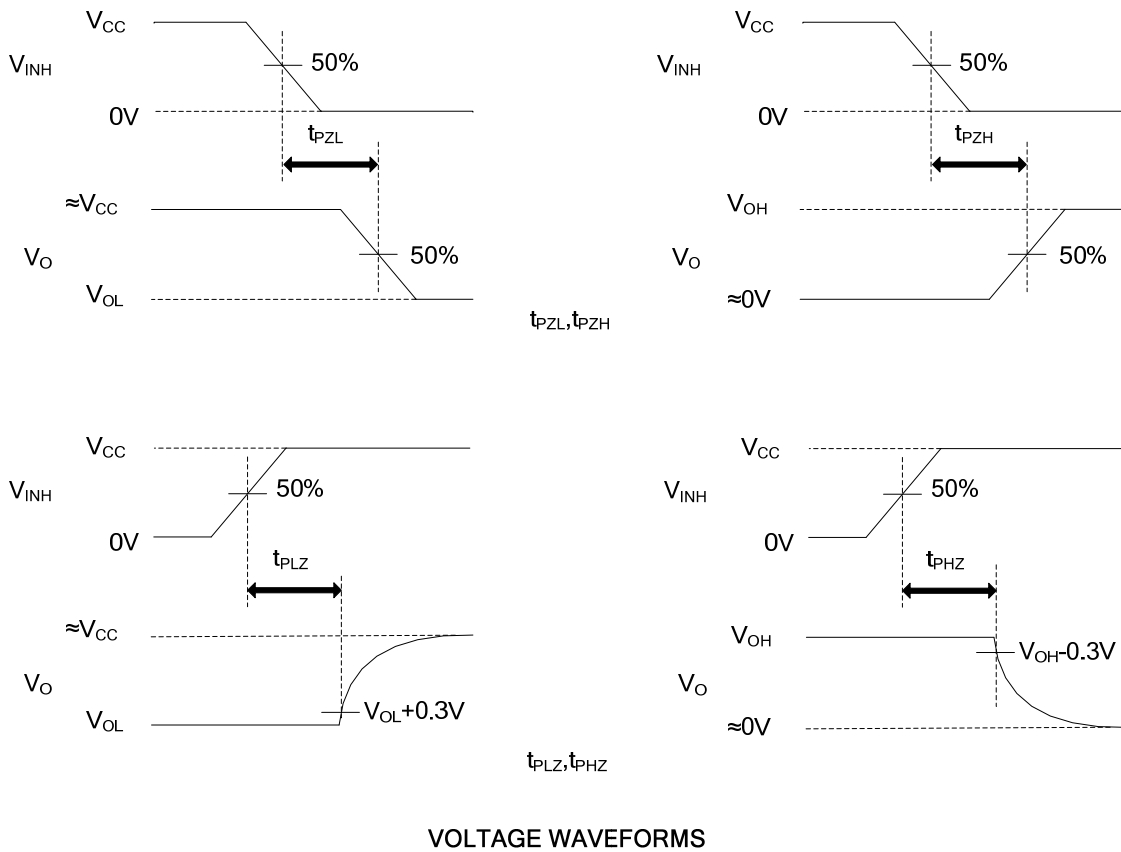
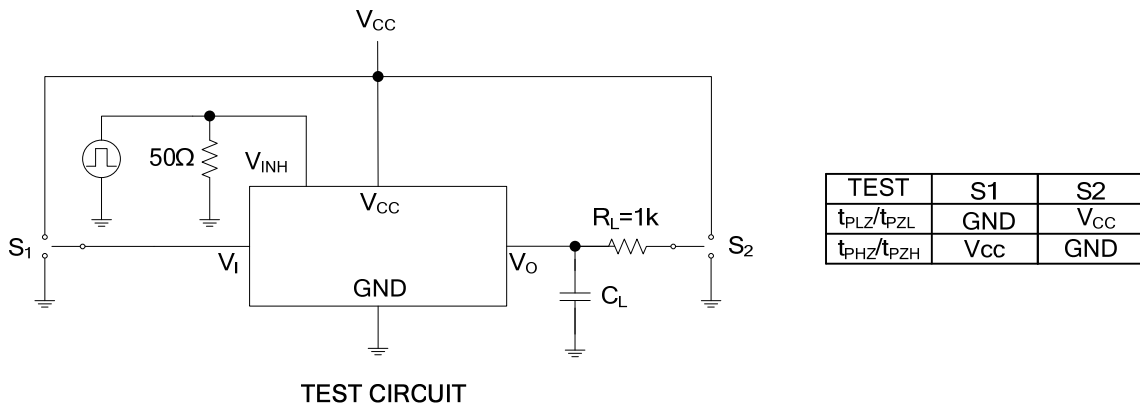
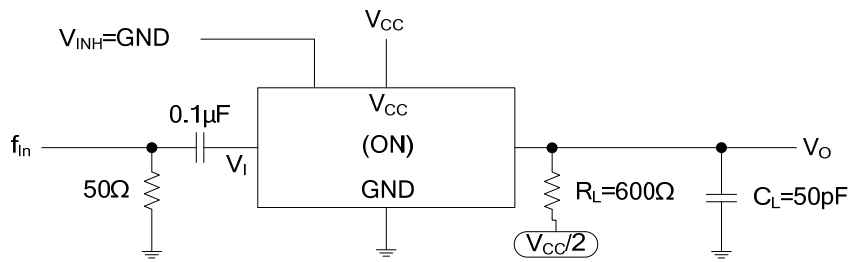


Fig. 5 Switching Time (t_{PZL} , t_{PLZ} , t_{PZH} , t_{PHZ}), Control to Signal Output

■ TEST CIRCUIT AND WAVEFORMS (Cont.)



Note: f_{in} is a sine wave.

Fig. 6 Frequency Response (Switch On)

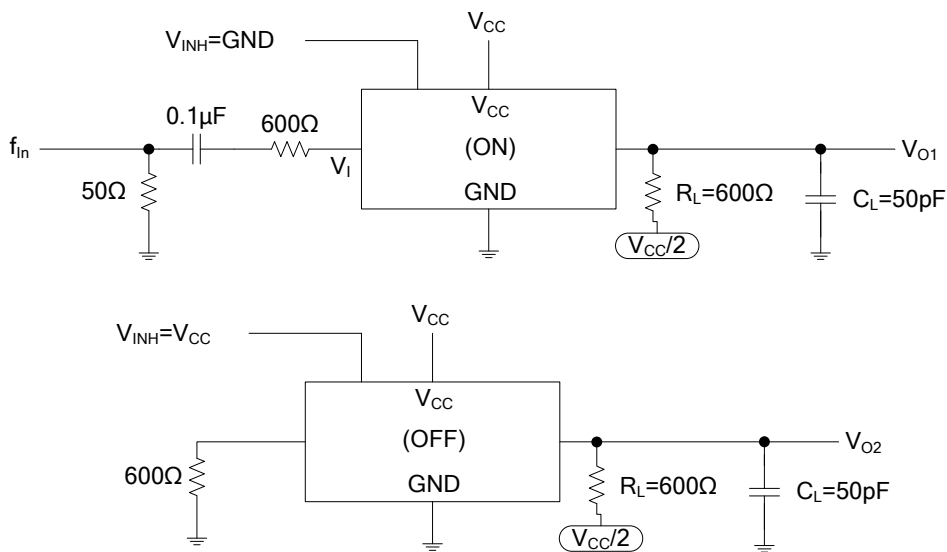


Fig. 7 Crosstalk Between Any Two Switches

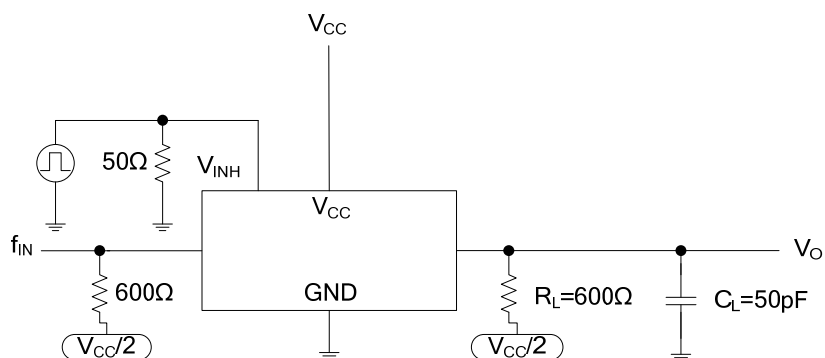


Fig. 8 Crosstalk Between Control Input and Switch Output

■ TEST CIRCUIT AND WAVEFORMS (Cont.)

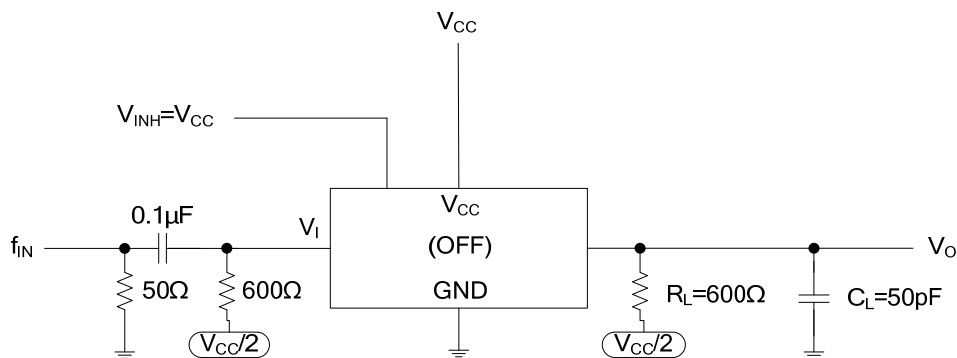


Fig. 9 Feedthrough Attenuation (Switch Off)

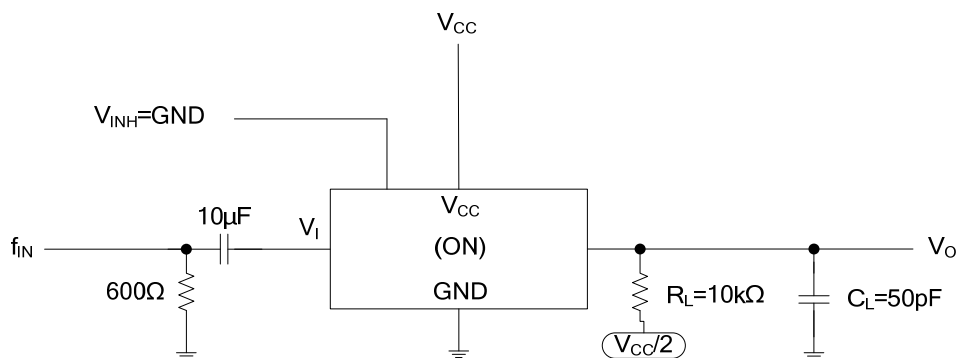


Fig. 10 Sine-Wave Distortion

UTC assumes no responsibility for equipment failures that result from using products at values that exceed, even momentarily, rated values (such as maximum ratings, operating condition ranges, or other parameters) listed in products specifications of any and all UTC products described or contained herein. UTC products are not designed for use in life support appliances, devices or systems where malfunction of these products can be reasonably expected to result in personal injury. Reproduction in whole or in part is prohibited without the prior written consent of the copyright owner. The information presented in this document does not form part of any quotation or contract, is believed to be accurate and reliable and may be changed without notice.