



U74LVC02A

CMOS IC

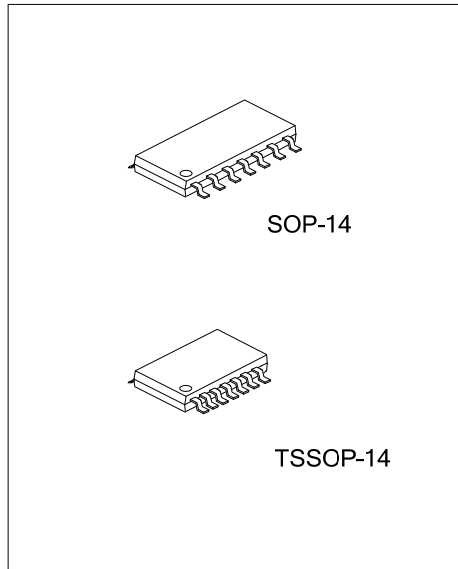
QUAD 2-INPUT POSITIVE-NOR GATE

DESCRIPTION

The **U74LVC02A** is a quad 2-input positive-NOR gate which performs the function $Y=A+B$ or $Y=\overline{A \times B}$. It is designed for 1.65V to 3.6V operation.

FEATURES

- * Wide supply voltage range from 1.65V to 3.6V
- * Max t_{pd} of 4.4ns at 3.3V
- * Up to 5.5V inputs accept voltages
- * Low power consumption, $I_{CC}=10\mu A$ (Max.)
- * ± 24 mA output driver at 3V
- * Typical V_{OLP} (Output Ground Bounce) < 0.8V, $V_{CC}=3.3V$, $T_A=25^\circ C$
- * Typical V_{OHV} (Output V_{OH} undershoot) > 2V, $V_{CC}=3.3V$, $T_A=25^\circ C$

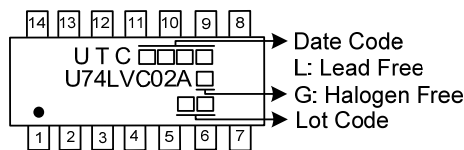


ORDERING INFORMATION

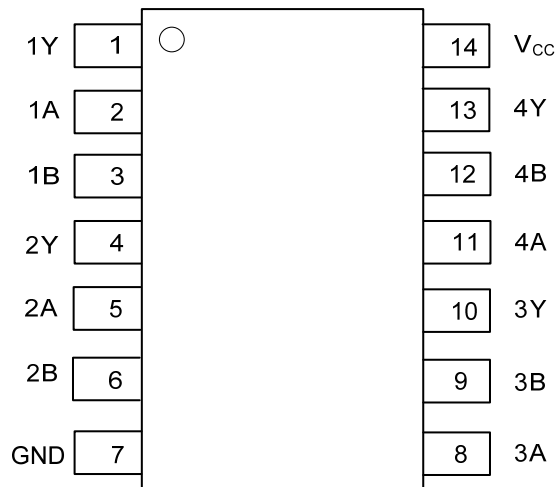
Ordering Number		Package	Packing
Lead Free	Halogen Free		
U74LVC02AL-S14-R	U74LVC02AG-S14-R	SOP-14	Tape Reel
U74LVC02AL-P14-R	U74LVC02AG-P14-R	TSSOP-14	Tape Reel

<p>U74LVC02AG-S14-R</p> <p>(1) Packing Type (2) Package Type (3) Green Package</p>	<p>(1) R: Tape Reel (2) S14: SOP-14, P14: TSSOP-14 (3) G: Halogen Free and Lead Free, L: Lead Free</p>
--	--

MARKING



■ PIN CONFIGURATION



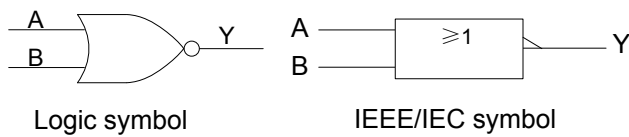
■ PIN DESCRIPTION

PIN	SYMBOL	FUNCTION
2, 5, 8, 11	1A-4A	Data inputs
3, 6, 9, 12	1B-4B	Data inputs
1, 4, 10, 13	1Y-4Y	Data outputs
7	GND	Ground (0V)
14	V _{CC}	Positive supply voltage

■ FUNCTION TABLE (each gate)

INPUTS		OUTPUT
A	B	Y
L	L	H
L	H	L
H	L	L
H	H	L

■ LOGIC SYMBOL (one gate)



■ ABSOLUTE MAXIMUM RATING (unless otherwise specified)

PARAMETER	SYMBOL	RATINGS	UNIT
Supply Voltage	V_{CC}	-0.5~6.5	V
Input Voltage	V_{IN}	-0.5~6.5	V
Output Voltage (any output in the high or low state)	V_{OUT}	-0.5~ V_{CC} +0.5	V
Input Clamp Current	I_{IK}	-50	mA
Output Clamp Current	I_{OK}	-50	mA
Output Current	I_{OUT}	±50	mA
V_{CC} or GND Current	I_{CC}	±100	mA
Storage Temperature	T_{STG}	-65 ~ +150	°C

Note: 1. The input and output voltage ratings may be exceeded if the input and output current ratings are observed.

2. Absolute maximum ratings are those values beyond which the device could be permanently damaged.

Absolute maximum ratings are stress ratings only and functional device operation is not implied.

■ THERMAL DATA

PARAMETER	SYMBOL	RATINGS	UNIT
Junction to Ambient	SOP-14	86	°C/W
	TSSOP-14	113	°C/W

■ RECOMMENDED OPERATING CONDITIONS

PARAMETER	SYMBOL	CONDITIONS	MIN	MAX	UNIT
Supply Voltage	V_{CC}	Operating	1.65	3.6	V
		Data retention only	1.5		
High-Level Input Voltage	V_{IH}	$V_{CC} = 1.65V$ to $1.95V$	$0.65 \times V_{CC}$		V
		$V_{CC} = 2.3V$ to $2.7V$	1.7		
		$V_{CC} = 2.7V$ to $3.6V$	2		
Low-Level Input Voltage	V_{IL}	$V_{CC} = 1.65V$ to $1.95V$		$0.35 \times V_{CC}$	V
		$V_{CC} = 2.3V$ to $2.7V$		0.7	
		$V_{CC} = 2.7V$ to $3.6V$		0.8	
Input Voltage	V_{IN}		0	5.5	V
Output Voltage	V_{OUT}		0	V_{CC}	V
High-level Output Current	I_{OH}	$V_{CC}=1.65V$		-4	mA
		$V_{CC}=2.3V$		-8	
		$V_{CC}=2.7V$		-12	
		$V_{CC}=3V$		-24	
Low-level Output Current	I_{OL}	$V_{CC}=1.65V$		4	mA
		$V_{CC}=2.3V$		8	
		$V_{CC}=2.7V$		12	
		$V_{CC}=3V$		24	
Input Transition Rise or Fall Rate	$\Delta t/\Delta v$	$V_{CC}=1.2$ to $2.7V$		20	ns/V
		$V_{CC}=2.7$ to $3.6V$		10	
Operating Temperature	T_A		-40	85	°C

■ ELECTRICAL CHARACTERISTICS (T_A =25°C , unless otherwise specified)

PARAMETER	SYMBOL	TEST CONDITIONS	MIN	TYP	MAX	UNIT
High-Level Output Voltage	V _{OH}	I _{OH} =-100 μA, V _{CC} =1.65V~3.6V	V _{CC} -0.2			V
		I _{OH} =-4 mA, V _{CC} =1.65V	1.2			
		I _{OH} =-8 mA, V _{CC} =2.3V	1.7			
		I _{OH} =-12 mA, V _{CC} =2.7V	2.2			
		I _{OH} =-12 mA, V _{CC} =3V	2.4			
		I _{OH} =-24 mA, V _{CC} =3V	2.2			
Low-Level Output Voltage	V _{OL}	I _{OL} =100 μA, V _{CC} =1.65V~3.6V			0.2	V
		I _{OL} =4 mA, V _{CC} =1.65V			0.45	
		I _{OL} =8 mA, V _{CC} =2.3V			0.7	
		I _{OL} =12 mA, V _{CC} =2.7V			0.4	
		I _{OL} =24 mA, V _{CC} =3V			0.55	
Input Leakage Current	I _{I(LEAK)}	V _{IN} =5.5V or GND, V _{CC} =0~3.6V			±5	μA
Quiescent Supply Current	I _{CC}	V _{IN} = V _{CC} or GND, I _{OUT} = 0			10	μA
Additional quiescent Supply Current	Δ I _{CC}	One input at V _{CC} -0.6V; other inputs at V _{CC} or GND			500	μA
Input Capacitance (Note)	C _{IN}	V _{IN} = V _{CC} or GND, V _{CC} =3.3V		5		pF

Note: All typical values are at V_{CC} = 3.3 V, T_A = 25 °C.

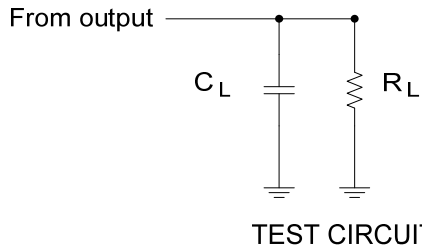
■ SWITCHING CHARACTERISTICS T_A =25°C , unless otherwise specified

PARAMETER	SYMBOL	TEST CONDITIONS	MIN	TYP	MAX	UNIT
Propagation delay from input (A or B) to output (Y)	t _{PLH} /t _{PHL}	V _{CC} =1.8V, C _L =30pF, R _L =1KΩ		13.4		ns
		V _{CC} =2.5±0.2V, C _L =30pF, R _L =500Ω	1		7.4	
		V _{CC} =2.7V, C _L =50pF, R _L =500Ω			5.4	
		V _{CC} =3.3±0.3V, C _L =50pF, R _L =500Ω	1		4.4	
Skew between any two outputs of the same package switching in the same direction	t _{sk(o)}	V _{CC} =3.3±0.3V, C _L =50pF, R _L =500Ω			1	ns

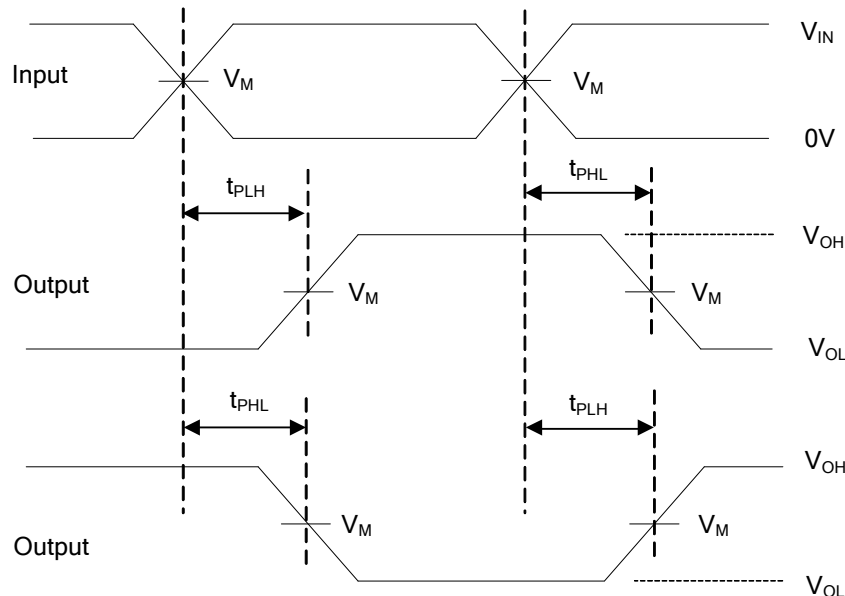
■ OPERATING CHARACTERISTICS T_A =25°C , unless otherwise specified

PARAMETER	SYMBOL	TEST CONDITIONS	MIN	TYP	MAX	UNIT
Power dissipation capacitance per gate	C _{PD}	f=10MHz	V _{CC} =1.8V		7.5	pF
			V _{CC} =2.5V		8.5	
			V _{CC} =3.3V		9.5	

TEST CIRCUIT AND WAVEFORMS



V_{CC}	Inputs		V_M	C_L	R_L
	V_{IN}	t_r, t_f			
$1.8V \pm 0.15V$	V_{CC}	$\leq 2ns$	$V_{CC}/2$	30pF	1K Ω
$2.5V \pm 0.2V$	V_{CC}	$\leq 2ns$	$V_{CC}/2$	30pF	500 Ω
2.7V	V_{CC}	$\leq 2.5ns$	1.5V	50pF	500 Ω
$3.3V \pm 0.3V$	V_{CC}	$\leq 2.5ns$	1.5V	50pF	500 Ω



Propagation delay times
Inverting and noninverting outputs

Notes: 1. C_L includes probe and jig capacitance.

2. All input pulses are supplied by generators having the following characteristics: PRR $\leq 10MHz$, $Z_O = 50\Omega$.

UTC assumes no responsibility for equipment failures that result from using products at values that exceed, even momentarily, rated values (such as maximum ratings, operating condition ranges, or other parameters) listed in products specifications of any and all UTC products described or contained herein. UTC products are not designed for use in life support appliances, devices or systems where malfunction of these products can be reasonably expected to result in personal injury. Reproduction in whole or in part is prohibited without the prior written consent of the copyright owner. The information presented in this document does not form part of any quotation or contract, is believed to be accurate and reliable and may be changed without notice.