



# U74LVC1G07

**CMOS IC**

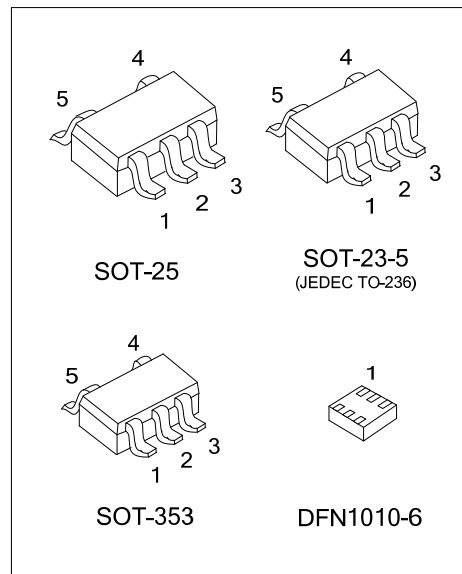
## BUFFER/DRIVER WITH OPEN-DRAIN OUTPUT

### DESCRIPTION

The **U74LVC1G07** is a single Buffer/Driver with open-drain output. This device has power-down protective circuit, preventing device destruction when it is powered down.

### FEATURES

- \* Inputs and open-drain output accept voltage up to 5.5V
- \* Low power Current:  $I_{CC}=10\mu A(\text{Max})$
- \*  $\pm 24\text{mA}$  output drive ( $V_{CC}=3.3\text{V}$ )
- \* Power down protection



### ORDERING INFORMATION

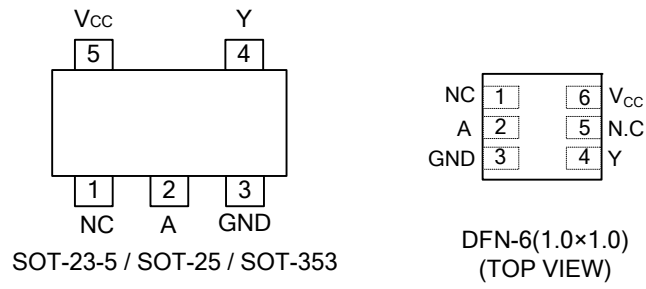
Ordering Number		Package	Packing
Lead Free	Halogen Free		
U74LVC1G07G-AE5-R	U74LVC1G07G-AE5-R	SOT-23-5	Tape Reel
U74LVC1G07G-AF5-R	U74LVC1G07G-AF5-R	SOT-25	Tape Reel
U74LVC1G07G-AL5-R	U74LVC1G07G-AL5-R	SOT-353	Tape Reel
U74LVC1G07G-K06-1010-R	U74LVC1G07G-K06-1010-R	DFN1010-6	Tape Reel

<p>U74LVC1G07G-AE5-R</p> <p>(1) Packing Type (2) Package Type (3) Green Package</p>	<p>(1) R: Tape Reel (2) AE5: SOT-23-5, AF5: SOT-25, AL5: SOT-353 K06-1010: DFN1010-6 (3) G: Halogen Free and Lead Free, L: Lead Free</p>
---	--

### MARKING

SOT-23-5 / SOT-25 / SOT-353	DFN1010-6
<p>L: Lead Free G: Halogen Free</p>	

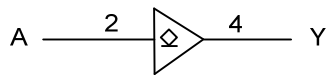
■ PIN CONFIGURATION



■ FUNCTION TABLE (each gate)

INPUT(A)	OUTPUT(Y)
H	Z
L	L

■ LOGIC DIAGRAM (positive logic)



■ ABSOLUTE MAXIMUM RATING (T<sub>A</sub>=25°C, unless otherwise specified) (Note 2)

PARAMETER	SYMBOL	TEST CONDITIONS	RATINGS	UNIT
Supply Voltage	V <sub>CC</sub>		-0.5~6.5	V
Input Voltage	V <sub>IN</sub>		-0.5~6.5	V
Output Voltage	V <sub>OUT</sub>	Active	-0.5~V <sub>CC</sub> +0.5	V
		Power-Down	-0.5~6.5	V
Continuous V <sub>CC</sub> or GND Current	I <sub>CC</sub>		±100	mA
Continuous Output Current	I <sub>OUT</sub>		±50	mA
Input Clamp Current	I <sub>IK</sub>	V <sub>IN</sub> <0	-50	mA
Output Clamp Current	I <sub>OK</sub>	V <sub>OUT</sub> <0	-50	mA
Storage Temperature Range	T <sub>STG</sub>		-65 ~+150	°C

Note: Absolute maximum ratings are those values beyond which the device could be permanently damaged. Absolute maximum ratings are stress ratings only and functional device operation is not implied.

■ RECOMMENDED OPERATING CONDITIONS

PARAMETER	SYMBOL	CONDITIONS	MIN	TYP	MAX	UNIT
Supply Voltage	V <sub>CC</sub>	Operating	1.65		5.5	V
		Data retention only	1.5			V
Input Voltage	V <sub>IN</sub>		0		5.5	V
Output Voltage	V <sub>OUT</sub>		0		5.5	V
Operating Temperature	T <sub>OPR</sub>		-40		125	°C

■ STATIC CHARACTERISTICS (T<sub>A</sub>=25°C, unless otherwise specified)

PARAMETER	SYMBOL	TEST CONDITIONS	MIN	TYP	MAX	UNIT
High-Level Input Voltage	V <sub>IH</sub>	V <sub>CC</sub> = 1.65V~1.95V	0.65×V <sub>CC</sub>			V
		V <sub>CC</sub> = 2.3V~2.7V	1.7			V
		V <sub>CC</sub> = 3.0V~3.6V	2			V
		V <sub>CC</sub> = 4.5V~5.5V	0.7×V <sub>CC</sub>			V
Low-Level Input Voltage	V <sub>IL</sub>	V <sub>CC</sub> = 1.65V~1.95V			0.35×V <sub>CC</sub>	V
		V <sub>CC</sub> = 2.3V~2.7V			0.7	V
		V <sub>CC</sub> = 3.0V~3.6V			0.8	V
		V <sub>CC</sub> = 4.5V~5.5V			0.3×V <sub>CC</sub>	V
Low-Level Output Voltage	V <sub>OL</sub>	V <sub>CC</sub> = 1.65V ~ 5.5V, I <sub>OL</sub> = 100μA			0.1	V
		V <sub>CC</sub> = 1.65V, I <sub>OL</sub> = 4mA			0.45	V
		V <sub>CC</sub> = 2.3V, I <sub>OL</sub> = 8mA			0.3	V
		V <sub>CC</sub> = 3.0V, I <sub>OL</sub> = 16mA			0.4	V
		V <sub>CC</sub> = 3.0V, I <sub>OL</sub> = 24mA			0.55	V
		V <sub>CC</sub> = 4.5V, I <sub>OL</sub> = 32mA			0.55	V
Input Leakage Current	I <sub>I(LEAK)</sub>	V <sub>CC</sub> = 0V ~ 5.5V, V <sub>IN</sub> = V <sub>CC</sub> or GND			±5	μA
Power OFF Leakage Current	I <sub>off</sub>	V <sub>CC</sub> = 0V, V <sub>IN</sub> or V <sub>CC</sub> = 5.5V			±10	μA
OFF-state output current	I <sub>OZ</sub>	V <sub>CC</sub> = 5.5V, V <sub>IN</sub> = V <sub>IH</sub> or V <sub>IL</sub> , V <sub>OUT</sub> = V <sub>CC</sub> or GND		±0.1	±10	μA
Quiescent Supply Current	I <sub>q</sub>	V <sub>CC</sub> = 1.65V~5.5V, V <sub>IN</sub> = V <sub>CC</sub> or GND, I <sub>OUT</sub> = 0			10	μA
Additional Quiescent Supply Current	ΔI <sub>q</sub>	V <sub>CC</sub> = 3V~ 5.5V, One input at V <sub>CC</sub> -0.6V, other inputs at V <sub>CC</sub> or GND			500	μA
Input Capacitance	C <sub>IN</sub>	V <sub>CC</sub> = 3.3V, V <sub>IN</sub> = V <sub>CC</sub> or GND		4		pF
Output Capacitance	C <sub>OUT</sub>	V <sub>CC</sub> = 3.3V, V <sub>OUT</sub> = V <sub>CC</sub> or GND		5		pF

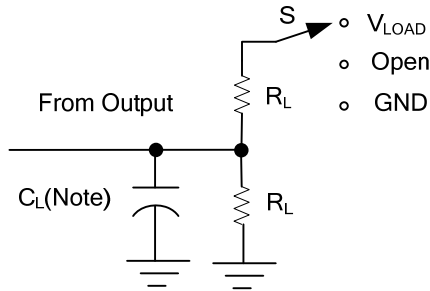
■ DYNAMIC CHARACTERISTICS (T<sub>A</sub>=25°C, unless otherwise specified)

PARAMETER	SYMBOL	TEST CONDITIONS	MIN	TYP	MAX	UNIT
Propagation delay from input (A) to output(Y)	t <sub>PLZ</sub> /t <sub>PZL</sub>	V <sub>CC</sub> =1.8V±0.15V, C <sub>L</sub> =30pF, R <sub>L</sub> =1KΩ	2.4		8.3	ns
		V <sub>CC</sub> =2.5V±0.2V, C <sub>L</sub> =30pF, R <sub>L</sub> =500Ω	1		5.5	ns
		V <sub>CC</sub> =3.3V±0.3V, C <sub>L</sub> = 50 pF, R <sub>L</sub> =500Ω	1.5		4.2	ns
		V <sub>CC</sub> = 5V±0.5V, C <sub>L</sub> = 50 pF, R <sub>L</sub> =500Ω	1		3.5	ns

■ OPERATING CHARACTERISTICS (T<sub>A</sub>=25°C, unless otherwise specified)

PARAMETER	SYMBOL	TEST CONDITIONS	MIN	TYP	MAX	UNIT
Power Dissipation Capacitance	C <sub>PD</sub>	V <sub>CC</sub> =1.8V, f=10MHz	3	3		pF
		V <sub>CC</sub> =2.5V, f=10MHz	3	3		pF
		V <sub>CC</sub> =3.3V, f=10MHz	3	4		pF
		V <sub>CC</sub> =5V, f=10MHz	3	6		pF

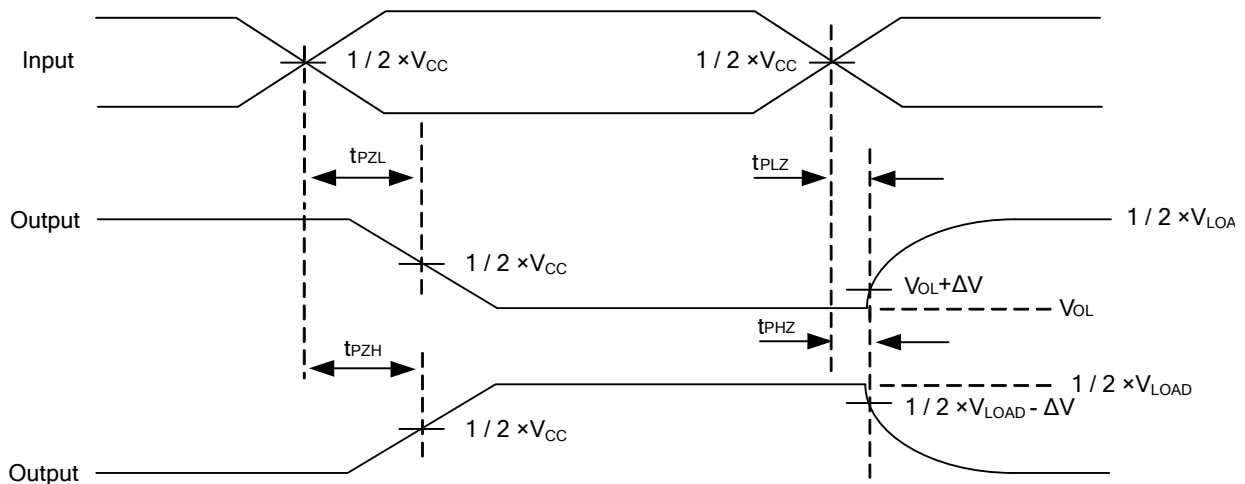
## ■ TEST CIRCUIT AND WAVEFORMS



TEST	S
$t_{PLH}/t_{PHL}$	Open
$t_{PHZ}/t_{PZH}$	GND
$t_{PLZ}/t_{PZL}$	$V_{LOAD}$

Note:  $C_L$  includes probe and jig capacitance.

$V_{CC}$	$V_{IN}$	$t_R/t_F$	$V_M$	$V_{LOAD}$	$C_L$	$R_L$	$V_{\Delta}$
$1.8V \pm 0.15V$	$V_{CC}$	$\leq 2ns$	$V_{CC}/2$	$2 \times V_{CC}$	30pF	1K $\Omega$	0.15V
$2.5V \pm 0.2V$	$V_{CC}$	$\leq 2ns$	$V_{CC}/2$	$2 \times V_{CC}$	30pF	500 $\Omega$	0.15V
$3.3V \pm 0.3V$	3 V	$\leq 2.5ns$	1.5V	6V	50pF	500 $\Omega$	0.3V
$5V \pm 0.5V$	$V_{CC}$	$\leq 2.5ns$	$V_{CC}/2$	$2 \times V_{CC}$	50pF	500 $\Omega$	0.3V



UTC assumes no responsibility for equipment failures that result from using products at values that exceed, even momentarily, rated values (such as maximum ratings, operating condition ranges, or other parameters) listed in products specifications of any and all UTC products described or contained herein. UTC products are not designed for use in life support appliances, devices or systems where malfunction of these products can be reasonably expected to result in personal injury. Reproduction in whole or in part is prohibited without the prior written consent of the copyright owner. The information presented in this document does not form part of any quotation or contract, is believed to be accurate and reliable and may be changed without notice.