



ENHANCED HIGH POWER FACTOR PREREGULATOR

DESCRIPTION

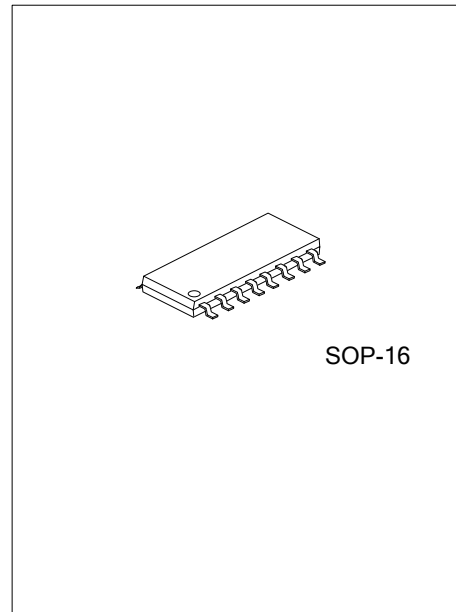
The UTC **UC3854** provide all the functions necessary for active power factor corrected preregulators. The controller achieves near unity power factor by shaping the AC input line current waveform to correspond to that of AC input line voltage. Average current mode control maintains stable, low distortion sinusoidal line current without the need for slope compensation, unlike peak current mode control.

Designed in UTC's Bipolar process, the UTC **UC3854** offers new features such as wide bandwidth, low offset Current Amplifier, a faster responding and improved accuracy enable comparator, a V_{REF} "good" comparator, UVLO threshold options (16/10V for offline, 10.5/10V for startup from an auxiliary 12V regulator), lower startup supply current, and an enhanced multiply/divide circuit. New features like the improved amplifier current sinking capability, amplifier output clamps, and low offset VAC pin reduce the external component count while improving performance. Improved common mode input range of the Multiplier output/Current Amp input allow the designer greater flexibility in choosing a method for current sensing. Unlike its predecessor, the maximum multiplier output current is now clamped to a maximum of $2 * I_{AC}$ at all times.

A 1% 7.5V reference, fixed frequency oscillator, PWM, Voltage Amplifier with softstart, line voltage feedforward (V_{RMS} squarer), input supply voltage clamp, and over current comparator round out the list of features.

FEATURES

- * Controls Boost Preregulator to Near Unity Power Factor
- * Limits Line Distortion
- * World-Wide Line Operation
- * Accurate Power Limiting
- * Fixed Frequency Average Current Mode Control
- * High Bandwidth (5MHz), Low Offset Current Amplifier
- * Integrated Current and Voltage Amp Output Clamps
- * Multiplier Improvements: Linearity, 500mV VAC Offset (eliminates external resistor), 0-5V Multout Common Mode Range
- * V_{REF} "GOOD" Comparator
- * Faster and Improved Accuracy ENABLE Comparator
- * 300uA Startup Supply Current

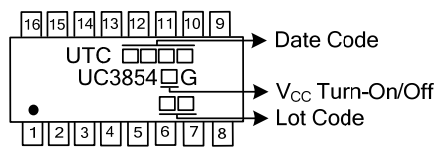


■ ORDERING INFORMATION

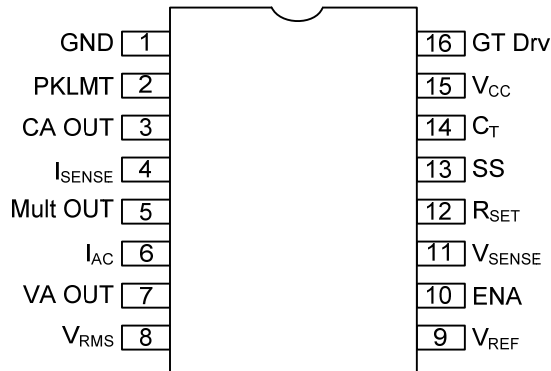
Ordering Number	Package	Packing
UC3854xG-S16-R	SOP-16	Tape Reel

<p>UC3854xG-S16-R</p> <p>(1) Packing Type (2) Package Type (3) Green Package (4) V_{CC} Turn-On/Off</p>	<p>(1) R: Tape Reel (2) S16: SOP-16 (3) G: Halogen Free and Lead Free (4) refer to ELECTRICAL CHARACTERISTICS</p>
---	---

■ MARKING



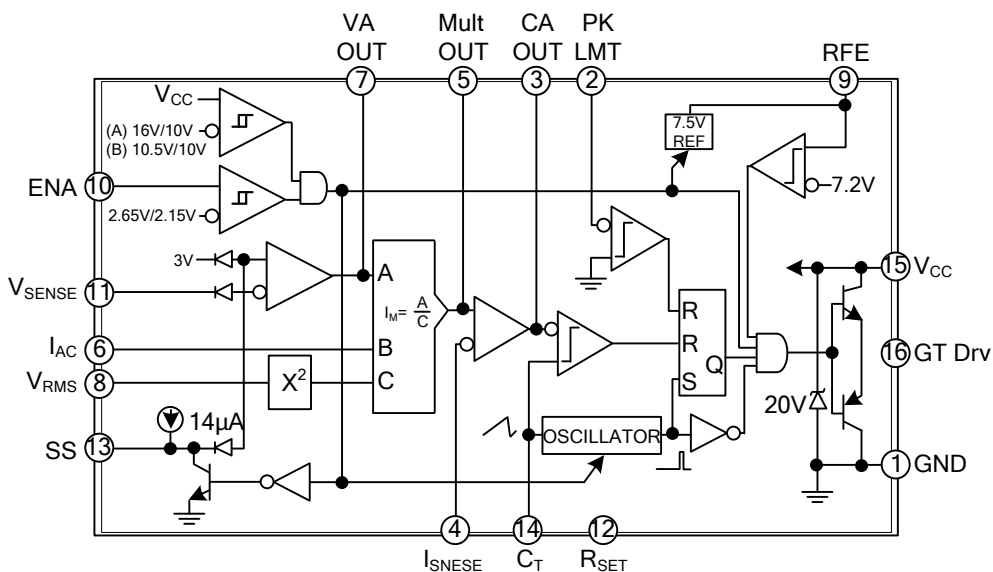
■ PIN CONFIGURATION



■ PIN DESCRIPTION

PIN NO.	PIN NAME	DESCRIPTION
1	GND	Ground. All voltage are measured with respect to GND .
2	PKLMT	Peak Limit. The threshold for PKLMT is 0V.
3	CA OUT	Current Error Amplifier Output.
4	ISENSE	Current Sense Minus. The negative input to the current amplifier.
5	Mult OUT	Multiplier/Divider Output. Multiplier output and non-inverting input connected together
6	IAC	Analog Input AC Current.
7	VA OUT	Voltage Error Amplifier Output.
8	VRMS	RMS Line Voltage.
9	VREF	Voltage Reference Output.
10	ENA	Enable. A logic input, set "H" active.
11	VSNESE	Voltage Error Amplifier Inverting Input.
12	RSET	Oscillator Charging Current.
13	SS	Soft Start.
14	CT	Oscillator Timing Capacitor.
15	VCC	Positive supply voltage.
16	GT Drv	Gate Driver.

■ BLOCK DIAGRAM



■ ABSOLUTE MAXIMUM RATING

PARAMETER		SYMBOL	RATINGS	UNIT
Supply Voltage		V_{CC}	22	V
GT Drv Current	Continuous	I_{OUT}	0.5	A
	50% Duty Cycle		1.5	A
Input Voltage	V_{SENSE} , V_{RMS}	V_{IN}	11	V
	I_{SENSE} , Mult Out		11	V
	PKLMT		5	V
	R_{SET} , I_{AC} PKLMT, ENA		10	mA
Power Dissipation		P_D	1	W
Storage Temperature		T_{STG}	-65~+150	°C

Notes: 1. Absolute maximum ratings are those values beyond which the device could be permanently damaged.

Absolute maximum ratings are stress ratings only and functional device operation is not implied.

2. All voltages with respect to Gnd (Pin 1)
3. All currents are positive into the specified terminal

■ ELECTRICAL CHARACTERISTICS

Unless otherwise stated, $V_{CC}=18V$, $R_T=8.2k$, $C_T=1.5nF$, $PKLMT=1V$, $V_{RMS}=1.5V$, $I_{AC}=100\mu A$, $I=0V$, $CA\ Out=3.5V$, $VA\ Out=5V$, $V_{SENSE}=3V$, $0^\circ C < T_A < 70^\circ C$, $T_A=T_J$.

PARAMETER	SYMBOL	TEST CONDITIONS	MIN	TYP	MAX	UNIT
Overall						
Supply Current, Off	$I_{CC(On)}$	$CAO, VAO = 0V, V_{CC} = UVLO - 0.3V$		250	400	μA
Supply Current, On	$I_{CC(Off)}$			12	18	mA
V_{CC} Turn-On Threshold	$V_{CC(On)}$	UC3854A		16	17.5	V
		UC3854B		10.5	11.2	V
V_{CC} Turn-OFF Threshold	$V_{CC(Off)}$	UC3854A/B	9	10		V
V_{CC} Clamp	$V_{CC(Clamp)}$	$I(V_{CC}) = I_{CC(on)} + 5mA$	18	20	22	V
Voltage Amplifier						
Input Voltage	V_{SENSE}		2.9	3.0	3.1	V
V_{SENSE} Bias Current	I_{VSENSE}		-500	-25	500	nA
Open Loop Gain	A_{VA}	$V_{OUT} = 2 \sim 5V$	70	100		dB
V_{OUT} High	V_{HV}	$I_{LOAD} = -500\mu A$		6		V
V_{OUT} Low	V_{LV}	$I_{LOAD} = 500\mu A$		0.3	0.5	V
Output Short Circuit Current	I_{SCV}	$V_{OUT} = 0V$		1.5	3.5	mA
Gain Bandwidth Product	GB_V	$F_{in} = 100kHz, 10mV\ p-p, (Note\ 1)$		1		mHz
Current amplifier						
Input Offset Voltage	I_{OFFC}	$V_{CM} = 0V$	$T_A = +25^\circ C$	-4	0	mV
			Overtemp	-5.5	0	mV
Input Bias Current(sense)	I_{CSENSE}	$V_{CM} = 0V$	-500		500	nA
Open Loop Gain	A_{CA}	$V_{CM} = 0V, V_{OUT} = 2 \sim 6V$	80	110		dB
V_{OUT} High	V_{HC}	$I_{LOAD} = -500\mu A$		8		V
V_{OUT} Low	V_{LC}	$I_{LOAD} = 500\mu A$		0.3	0.5	V
Output Short Circuit Current	I_{SCC}	$V_{OUT} = 0V$		1.5	3.5	mA
Common Mode Range	V_{CMC}		-0.3		5	V
Gain Bandwidth Product	GB_C	$F_{in} = 100kHz, 10mV\ p-p, (Note\ 1)$	3	5		mHz
Reference						
Output Voltage	V_{REF}	$I_{REF} = 0mA, T_A = 25^\circ C$	7.4	7.5	7.6	V
		$I_{REF} = 0mA$	7.35	7.5	7.65	V
Load Regulation	ΔV_{LOAD}	$I_{REF} = 1 \sim 10mA$	0	8	20	mV
Line Regulation	ΔV_{LINE}	$V_{CC} = 12 \sim 18V$	0	14	25	mV
Short Circuit Current	I_{SCR}	$V_{REF} = 0V$	25	35	60	mA

■ ELECTRICAL CHARACTERISTICS (Cont.)

PARAMETER	SYMBOL	TEST CONDITIONS	MIN	TYP	MAX	UNIT
Oscillator						
Initial Accuracy	f_0	$T_A = 25^\circ\text{C}$	85	100	115	kHz
Voltage Stability	Δf_{VCC}	$V_{CC} = 12 \sim 18\text{V}$		1		%
Total Variation	f_T	Line, Temp	80		120	kHz
Ramp Amplitude (p-p)	V_{PP}		4.9		5.9	V
Ramp Valley Voltage	V_{VAL}		0.8		1.3	V
Enable/Softstart /Current Limit						
Enable Threshold	V_{ENA}		2.35	2.55	2.8	V
Enable Hysteresis	V_{HYS}	$V_{FAULT} = 2.5\text{V}$		500	600	mV
Enable Input Bias Current	I_{ENA}	$V_{ENABLE} = 0\text{V}$		-2	-5	μA
Propagation Delay to Disable	T_{ENA}	Enable Overdrive = -100mV (Note 1)		300		ns
SS Charge Current	I_{SS}	$V_{SOFTSTART} = 2.5\text{V}$	10	14	24	
PKLMT Offset Voltage	V_{OFFP}		-15		15	mV
PKLMT Input Current	I_{PK}	$V_{PKLMT} = -0.1\text{V}$	-200	-100		μA
PKLMT Propagation Delay	T_{PK}	(Note 1)		150		ns
Multiplier						
Output Current - I_{AC} Limited	I_{LIM}	$I_{AC} = 100\text{mA}$, $V_{RMS} = 1\text{V}$, $R_{SET} = 10\text{k}$	-220	-200	-170	μA
Output Current - Zero	I_{ZERO}	$I_{AC} = 0\mu\text{A}$, $R_{SET} = 10\text{k}$	-2.0	-0.2	2.0	μA
Output Current - Power Limited	I_{PLIM}	$V_{RMS} = 1.5\text{V}$, $V_a = 6\text{V}$	-230	-200	-170	μA
Output Current	I_{MULT}	$V_{RMS} = 1.5\text{V}$, $V_a = 2\text{V}$		-22		μA
		$V_{RMS} = 1.5\text{V}$, $V_a = 5\text{V}$		-156		μA
		$V_{RMS} = 5\text{V}$, $V_a = 2\text{V}$		-2		μA
		$V_{RMS} = 5\text{V}$, $V_a = 5\text{V}$		-14		μA
Gain Constant	K	(Note 2) $V_{RMS} = 1.5\text{V}$, $T_J = 25^\circ\text{C}$, $V_a = 6\text{V}$	-1.1	-1.0	-0.9	A/A
Gate Driver						
Output High Voltage	V_{HG}	$I_{OUT} = -200\text{mA}$, $V_{CC} = 15\text{V}$	12	12.8		v
Output Low Voltage Output Low (UVLO)	V_{LG}	$I_{OUT} = 200\text{mA}$		1	2.2	V
		$I_{OUT} = 10\text{mA}$		300	500	mV
		$I_{OUT} = 50\text{mA}$, $V_{CC} = 0\text{V}$		0.9	1.5	V
Output Rise / Fall Time	T_{RF}	$C_{LOAD} = 1\text{nF}$ (Note 1)		35		ns
Output Peak Current	I_{PEAK}	$C_{LOAD} = 10\text{nF}$ (Note 1)		1.0		A

Notes: 1. Guaranteed by design, not 100% tested in production

$$2. \text{Gain constant (K)} = \frac{I_{AC} * (V_a - 1.5\text{V})}{V_{RMS}^2 * I_{MO}}$$

UTC assumes no responsibility for equipment failures that result from using products at values that exceed, even momentarily, rated values (such as maximum ratings, operating condition ranges, or other parameters) listed in products specifications of any and all UTC products described or contained herein. UTC products are not designed for use in life support appliances, devices or systems where malfunction of these products can be reasonably expected to result in personal injury. Reproduction in whole or in part is prohibited without the prior written consent of the copyright owner. The information presented in this document does not form part of any quotation or contract, is believed to be accurate and reliable and may be changed without notice.