

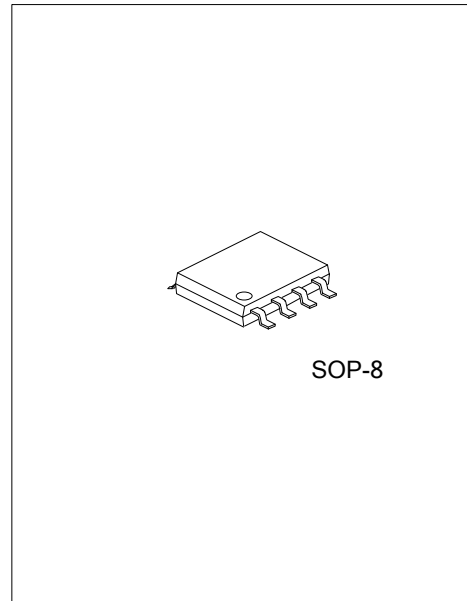


UC3875A

Preliminary

LINEAR INTEGRATED CIRCUIT

LOW COST POWER-SAVING MODE PWM CONTROLLER FOR FLYBACK CONVERTERS



DESCRIPTION

The UTC **UC3875A** is a high performance current mode PWM controller ideally suited for low standby power. The PWM switching frequency is programmable externally at normal operation. Low V_{DD} startup current make the power reliable on startup design and a large value resistor could be used in the startup circuit to minimize the standby power. At no load condition, the IC operates in power-saving mode for lower standby power, decreasing frequency for Higher conversion efficiency at light load condition.

The UTC **UC3875A** contains protection with automatic recovery including OLP (over load protection), OTP (over temperature protection), OVP (over voltage protection), UVLO (V_{DD} over voltage clamp and under voltage lockout). To protect the power MOSFET, Gate-drive output is fixed up to 16V max. The UTC **UC3875A** contains protection OCP (cycle-by-cycle current limiting).

The internal slope FBensation improves system stability at high PWM duty cycle output. Leading-edge blanking on current sense input removes the signal glitch, which offering minimal external FBonent count in the design. Excellent EMI performance is achieved with UTC proprietary frequency hopping technique (ZL201020615247.1) together with soft driver control. Audio noise is eliminated due to switch frequency more than 20kHz during operation.

The UTC **UC3875A** has such applications as: battery charger, power adaptor, set-top box power supplies, ink jet printers, open-frame SMPS.

FEATURES

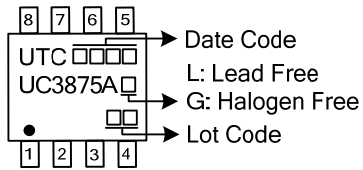
- * UTC proprietary frequency hopping technology for Improved EMI performance.
- * Power-saving mode for high light-load and standby efficiency
- * Dynamic peak current limiting for constant output power
- * Built-in synchronized slope FBensation
- * OTP, OLP, OVP and V_{DD} clamp for higher security
- * Programmable PWM Frequency
- * Gate output voltage clamped at 16V
- * Low start-up current
- * Cycle-by-cycle Current Limiting
- * Under voltage lockout (UVLO)
- * Few external FBonents required

ORDERING INFORMATION

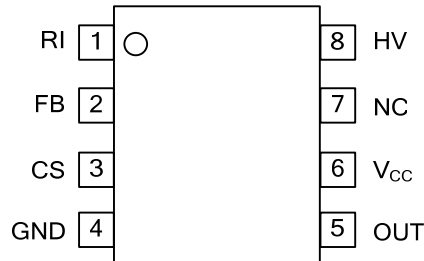
| Ordering Number | | Package | Packing |
|-----------------|----------------|---------|-----------|
| Lead Free | Halogen Free | | |
| UC3875AL-S08-R | UC3875AG-S08-R | SOP-8 | Tape Reel |

| | |
|---|--|
| <p>UC3875AG-S08-R</p> <ul style="list-style-type: none"> (1) Packing Type (2) Package Type (3) Green Package | <ul style="list-style-type: none"> (1) R: Tape Reel (2) AG6: SOT-26 (3) G: Halogen Free and Lead Free, L: Lead Free |
|---|--|

■ MARKING



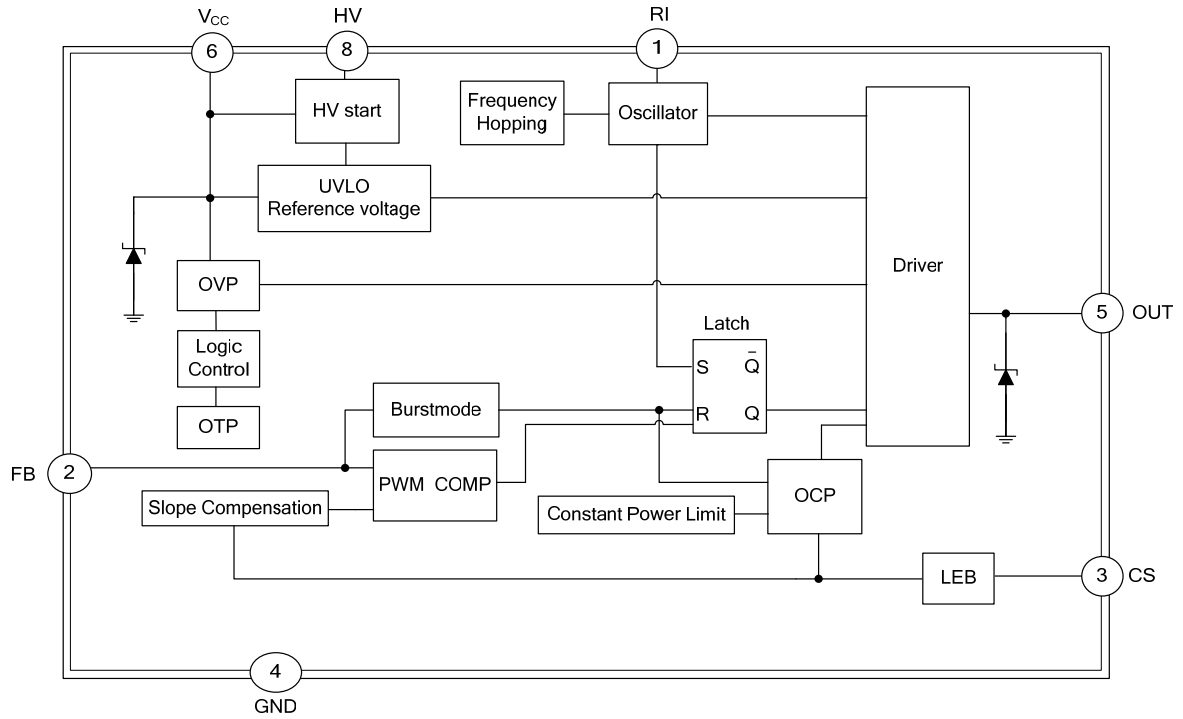
■ PIN CONFIGURATION



■ PIN DESCRIPTION

| PIN NO. | PIN NAME | PIN TYPE | DESCRIPTION |
|---------|-----------------|----------|---|
| 1 | RI | I | A resistor connected between RI and GND sets switching frequency. A 100kΩ resistor R _i results in a 65KHz switching frequency. |
| 2 | FB | I | Feedback input pin. The PWM duty cycle is determined by voltage level into this pin and SENSE pin input. |
| 3 | CS | I | Current sense input pin. Connected to MOSFET current sensing resistor node. |
| 4 | GND | P | Ground. |
| 5 | OUT | O | The totem-pole output driver for driving the power MOSFET. |
| 6 | V _{CC} | P | Power supply. |
| 7 | NC | - | No Connection |
| 8 | HV | I | HV start pin, it connected the line input. |

■ BLOCK DIAGRAM



■ ABSOLUTE MAXIMUM RATINGS ($T_A=25^{\circ}\text{C}$, $V_{DD}=15\text{V}$, unless otherwise specified)

| PARAMETER | SYMBOL | RATINGS | UNIT |
|-------------------------|-----------|------------|--------------------|
| Supply Voltage | V_{DD} | 35 | V |
| Input Voltage to FB Pin | V_{FB} | -0.3 ~ 7 | V |
| Input Voltage to CS Pin | V_{CS} | -0.3 ~ 7 | V |
| Junction Temperature | T_J | +150 | $^{\circ}\text{C}$ |
| Operating Temperature | T_{OPR} | -40 ~ +125 | $^{\circ}\text{C}$ |
| Storage Temperature | T_{STG} | -50 ~ +150 | $^{\circ}\text{C}$ |

Note: Absolute maximum ratings are those values beyond which the device could be permanently damaged. Absolute maximum ratings are stress ratings only and functional device operation is not implied.

■ OPERATING RANGE

| PARAMETER | SYMBOL | RATINGS | UNIT |
|----------------|----------|---------|------|
| Supply Voltage | V_{DD} | 10 ~ 24 | V |

■ ELECTRICAL CHARACTERISTICS ($T_A=25^{\circ}\text{C}$, $V_{DD}=15\text{V}$, $R_I=100\text{K}\Omega$, unless otherwise specified)

| PARAMETER | SYMBOL | TEST CONDITIONS | MIN | TYP | MAX | UNIT | |
|--|------------------------|--|---|------|------|--------------------|-----|
| HV START | | | | | | | |
| Supply Current from ST Pin | I_{ST} | | | 0.75 | | mA | |
| Start Pin Leakage Current After Startup | I_{EAKAGE} | | | | 10 | μA | |
| SUPPLY SECTION | | | | | | | |
| Start Up Current | I_{STR} | $V_{DD}=V_{DD(ON)}-0.5\text{V}$ | | 2 | 15 | μA | |
| IC Operating current | I_{OP} | $V_{FB}=3.5\text{V}$ | | 0.8 | 1.8 | mA | |
| V_{CC} Zener Clamp Voltage | $V_{CC(clamp)}$ | $I_{VCC}=20\text{mA}$ | 31 | 33 | 35 | V | |
| UNDER-VOLTAGE LOCKOUT SECTION | | | | | | | |
| Start Threshold Voltage | $V_{THD(ON)}$ | | 16 | 18 | 20 | V | |
| Min. Operating Voltage | $V_{DD(MIN)}$ | | 6 | 7 | 8 | V | |
| CONTROL SECTION | | | | | | | |
| V_{FB} Open Loop Voltage Level | $V_{FB-OPEN}$ | | | 5.4 | | V | |
| Burst-Mode Out FB Voltage | $V_{FB(OUT)}$ | $V_{SENSE}=0$ | | 1.5 | | V | |
| Burst-Mode Enter FB Voltage | $V_{FB(IN)}$ | $V_{SENSE}=0$ | | 1.35 | | V | |
| Switch Frequency | Normal Power-Saving | F_{SW} | $V_{FB}=3.5\text{V}$, $R_I=100\text{K}\Omega$ Before enter burst mode | 60 | 65 | 70 | KHz |
| | | | | 20 | | | KHz |
| Duty Cycle | D_{MAX} | $V_{FB}=3.5\text{V}$, $V_{SENSE}=0$ | 70 | 78 | 90 | % | |
| Frequency Hopping | $F_{J(SW)}$ | | -9 | | +9 | % | |
| Frequency V_{DD} Stability | F_{DV} | $V_{DD}=12\text{V}\sim 20\text{V}$ | | | 10 | % | |
| Frequency Temperature Stability | F_{DT} | $T=-40\sim 85^{\circ}\text{C}$ | | | 10 | % | |
| RI Resistor Value Range | R_I | | 50 | 100 | 150 | $\text{K}\Omega$ | |
| PROTECTION SECTION | | | | | | | |
| V_{CC} Over Voltage Protection Threshold | V_{OVP} | $V_{FB}=3.9\text{V}$ | 25 | 27 | 29 | V | |
| FB PIN Over Load Protection Threshold | V_{OLP} | | | 4.2 | | V | |
| Soft start time | T_{SS} | | | 5 | | mS | |
| Over Load Protection Delay-Time | T_{Delay} | | 60 | 88 | 120 | mS | |
| OTP threshold | $T_{(THR)}$ | $V_{FB}=3.9\text{V}$ | | 150 | | $^{\circ}\text{C}$ | |
| CURRENT LIMITING SECTION | | | | | | | |
| Peak Current Flat Threshold Voltage | V_{CS-F} | | | 0.92 | | V | |
| Peak Current Valley Threshold Voltage | V_{CS-V} | $V_{FB}=4.0\text{V}$, Duty=0% | 0.60 | 0.65 | 0.70 | V | |
| Lead Edge Blanking Time | T_{LEB} | | 200 | 350 | 550 | ns | |
| DRIVER OUTPUT SECTION | | | | | | | |
| Output Voltage Low State | V_{OL} | $V_{DD}=15\text{V}$, $I_O=-20\text{mA}$ | | | 1 | V | |
| Output Voltage High State | V_{OH} | $V_{DD}=15\text{V}$, $I_O=20\text{mA}$ | 11 | | | V | |
| Output Voltage Rise Time | t_r | $C_L=1.0\text{nF}$ | | 150 | | ns | |
| Output Voltage Fall Time | t_f | $C_L=1.0\text{nF}$ | | 60 | | ns | |

■ OPERATION DESCRIPTION

The UTC **UC3875A** devices integrate many useful designs into one controller for low-power switch-mode power supplies. The following descriptions highlight some of the features of the UTC **UC3875A** series.

Start-up Current

The start-up current is only 5 μ A. Low start-up current allows a start-up resistor with a high resistance and a low-wattage to supply the start-up power for the controller. For AC/DC adaptor with universal input range design, a 2.5~3M Ω , 1/8W startup resistor could be used together with a V_{DD} capacitor to provide a fast startup and low power dissipation solution.

Power-Saving Mode Operation

The proprietary Power-Saving Mode function provides linearly decreasing the switching frequency under light-load conditions for higher efficiency. The feedback voltage, which is sampled from the voltage feedback loop, is taken as the reference. Once the feedback voltage dropped below the threshold voltage, the switching frequency starts to decrease. This Power-Saving Mode function dramatically reduces power consumption under light-load conditions. The 22 KHz minimum frequency control also eliminates the audio noise at any loading conditions.

At zero load condition, the magnitude of power loss is in proportion to the number of switching events within a fixed period of time. Reducing switching events leads to the reduction on the power loss and thus conserves the energy. The UTC **UC3875A** enter burst mode at standby condition to minimize the switching loss and reduces the standby power consumption. Power supplies using the UTC **UC3875A** can easily meet even the strictest regulations regarding standby power consumption.

Switch Frequency Set

The maximum switch frequency is set through the 100K Ω RI-pin resistor to 65KHz. Switch frequency is modulated by output power P_{OUT} during IC operating. At no load or light load condition, most of the power dissipation in a switching mode power supply is from switching loss on the MOSFET transistor, the core loss of the transformer and the loss on the snubber circuit. The magnitude of power loss is in proportion to the number of switching events within a fixed period of time. So lower switch frequency at lower load, which more and more improve IC's efficiency at light load. At from no load to light load condition, The IC will operate at from Burst mode to Reducing Frequency Mode. The relation curve between f_{SW} and P_{OUT}/P_{OUT(MAX)} as followed Fig.1. The maximum switch frequency is set through the RI-pin resistor RI: $F_{SW}=6500/RI$ (K Ω) KHz.

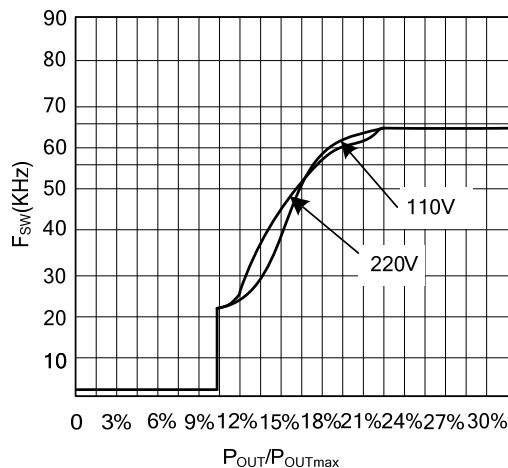


Fig.1 The relation curve between f_{SW} and relative output power P_{OUT}/ P_{OUT (MAX)}

■ OPERATION DESCRIPTION (Cont.)

Frequency Hopping For EMI Improvement

The Frequency hopping is implemented in the IC; there are two oscillators built-in the IC. The first oscillator is to set the normal switching frequency; the switching frequency is modulated with a period signal generated by the 2nd oscillator. The relation between the first oscillator and the 2nd oscillator as followed Fig.2. So the tone energy is evenly spread out, the spread spectrum minimizes the conduction band EMI and therefore eases the system design in meeting stringent EMI requirement.

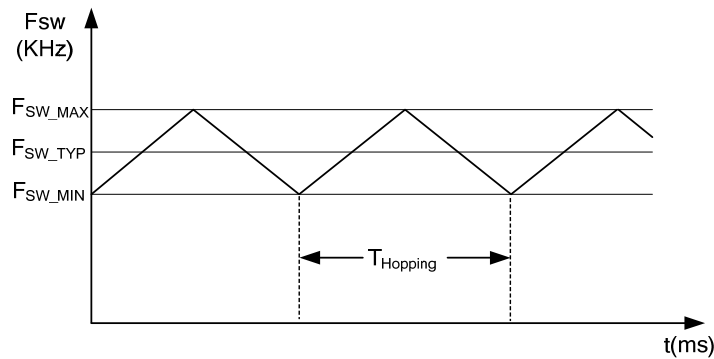


Fig.2 Frequency Hopping

Built-in Slope FBensation

Built-in slope FBensation circuit greatly improves the close loop stability at CCM and prevents the sub-harmonic oscillation.

Leading-Edge Blanking

Each time the power MOSFET is switched on, a turn-on spike will inevitably occur at the sense-resistor. To avoid premature termination of the switching pulse, a 350ns leading-edge blanking time is built in. Conventional RC filtering can therefore be omitted. During this blanking period, the current-limit FBerator is disabled and it cannot switch off the gate driver.

Constant Output Power Limit

When the SENSE voltage, across the sense resistor R_s , reaches the threshold voltage, the output GATE drive will be turned off after a small propagation delay t_D . This propagation delay will introduce an additional current proportional to $t_D \times V_{IN} / L_p$. Since the propagation delay is nearly constant regardless of the input line voltage V_{IN} . Higher input line voltage will result in a larger additional current and hence the output power limit is also higher than that under low input line voltage. To FBensate this variation for wide AC input range, the threshold voltage is adjusted by the V_{IN} current. Since V_{IN} pin is connected to the rectified input line voltage through a resistor R_{VIN} , a higher line voltage will generate higher V_{IN} current into the V_{IN} pin. The threshold voltage is decreased if the V_{IN} current is increased. Smaller threshold voltage, forces the output GATE drive to terminate earlier, thus reduce the total PWM turn-on time and make the output power equal to that of low line input. This proprietary internal FBensation ensures a constant output power limit for wide AC input voltage from 90VAC to 264VAC.

Under Voltage Lockout (UVLO)

The turn-on and turn-off thresholds of the UTC **UC3875A** are fixed internally at 20V/8V. During start-up, the hold-up capacitor must be charged to 20V through the start-up resistor, so that the UTC **UC3875A** will be enabled. The hold-up capacitor will continue to supply V_{DD} until power can be delivered from the auxiliary winding of the main transformer. V_{DD} must not drop below 8V during this start-up process. This UVLO hysteresis window ensures that hold-up capacitor will be adequate to supply V_{DD} during start-up.

Gate Output

The UTC **UC3875A** output stage is a fast totem pole gate driver. Cross conduction has been avoided to minimize heat dissipation, increase efficiency, and enhance reliability. A good tradeoff is achieved through dead time control. The low idle loss and good EMI system design is easier to achieve with this dedicated control scheme. An internal 16V clamp is added for MOSFET gate protection at higher than expected V_{DD} input.

■ OPERATION DESCRIPTION (Cont.)

Protection Controls

The IC takes on more protection functions such as OVP, OLP and OTP etc. In case of those failure modes for continual blanking time, the driver is shut down. Driver is reset after failure is eliminated.

OVP

The OVP will shut down the switching of the power MOSFET whenever $V_{DD} > V_{OVP}$. The OVP event as followed Fig.3.

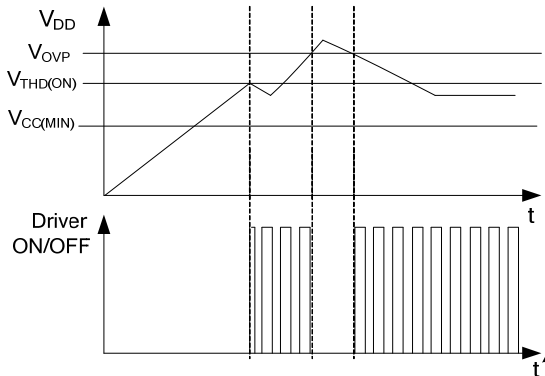


Fig.3 OVP case

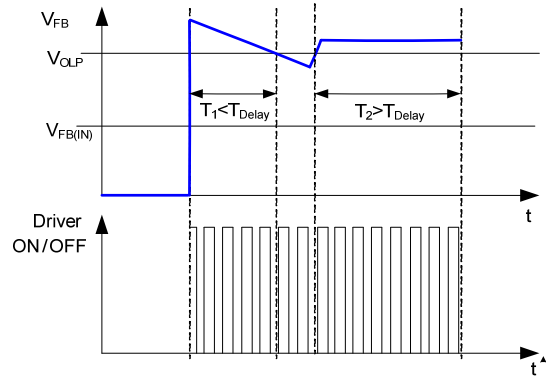


Fig.4 OLP case

OLP

OLP will shut down driver when $V_{FB} > V_{OLP}$ for continual a blanking time. The OLP event as followed Fig.4.

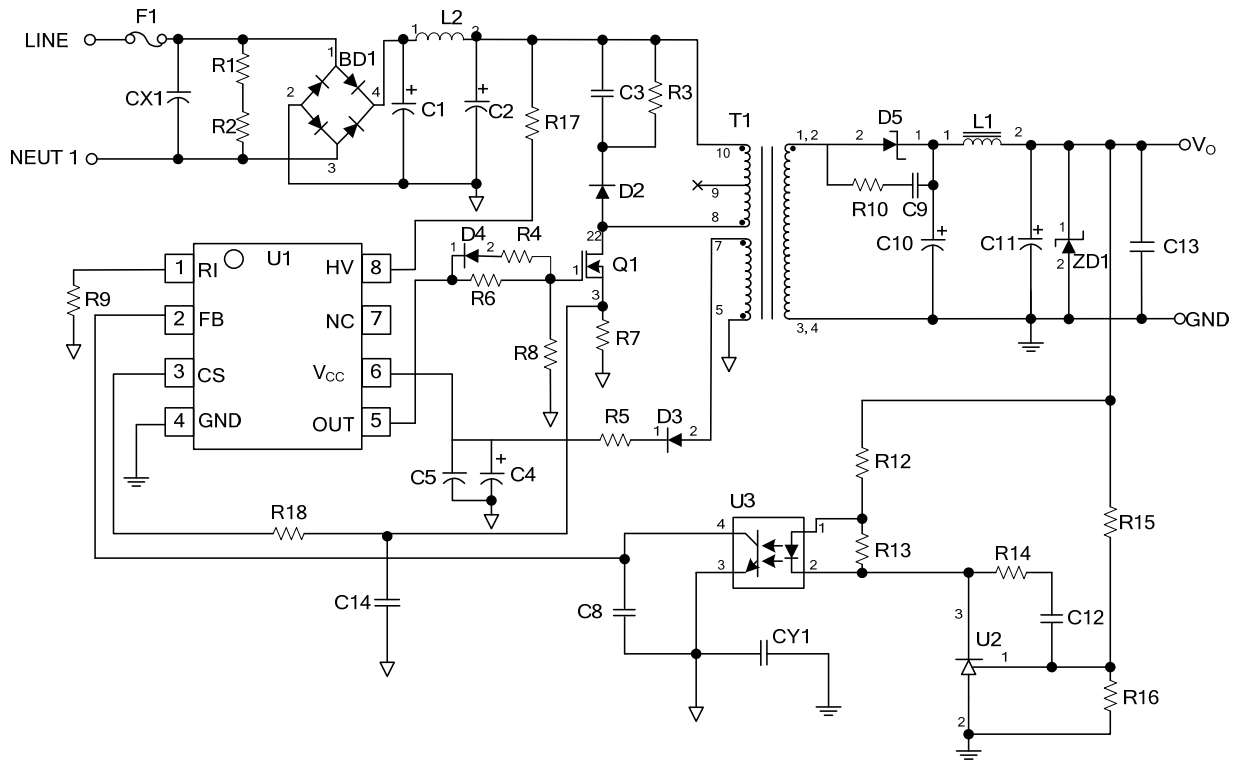
OTP

OTP will shut down driver when junction temperature $T_J > T_{(THR)}$.

PCB Layout Note

Noise from the current sense or the control signal can cause significant pulse width jitter in continuous-conduction mode, and slope FBensation helps alleviate these problems. Good placement and layout practices should be followed. Avoiding long PCB traces and FBonent leads, locating FBensation and filter FBonents near the UTC **UC3875A**, and increasing the power MOS gate resistance is advised.

■ REFERENCE CIRCUIT (12V/1.5A)



BOM

| Reference | FBonent | Reference | FBonent |
|-------------------|---------------------|---------------|-----------------------|
| BD1 | 1N4007×4 | Q1 | 4N65K |
| CX1 (Optional) | NC | R4 (Optional) | 0Ω |
| CY1 (Optional) | YC 1nF/400V (Y1) | R1,R2 | R 4.7MΩ 1206 |
| C2 | EC 33μF/400V 105°C | R3 | R 200K |
| C1 | EC 6.8μF/400V 105°C | R5 | R 10Ω |
| C3 | CC 1nF/1000V | R6 | R 22Ω 1206 |
| C4 | EC 10μF/50V | R7 | R 0.66Ω 1W |
| C5,C13 (Optional) | CC 100nF/50V | R8 | R 10kΩ 0603 |
| C8 | CC 1nF/25V | R9 | R 100kΩ 0805 |
| C9 | NC | R10 | NC |
| C10, C11 | EC 470uF/25V | R12 | R 220Ω 0805 |
| C12 | CC 0.1μF/50V 0805 | R13 | R 1KΩ 0805 |
| C14 | 100pF/25V | R14 | R 680Ω 0805 |
| D2 | Diode 1N4007 | R15 | R 39kΩ 0805 |
| D3 | RS1D | R16 | R 10kΩ 0805 |
| D4 (Optional) | 1N4148 | R17 | 200kΩ 1206 |
| D5 | MBR10100 | R18 | 1kΩ 0603 |
| F1 | 2A/250V | T1 | EE-219 |
| L1 | NC (Short) | U1 | IC UTC UC3875A |
| L2 | 33μH 6×8mm | U2 | TL431 |
| ZD1 | NC | U3 | PC817 |

UTC assumes no responsibility for equipment failures that result from using products at values that exceed, even momentarily, rated values (such as maximum ratings, operating condition ranges, or other parameters) listed in products specifications of any and all UTC products described or contained herein. UTC products are not designed for use in life support appliances, devices or systems where malfunction of these products can be reasonably expected to result in personal injury. Reproduction in whole or in part is prohibited without the prior written consent of the copyright owner. The information presented in this document does not form part of any quotation or contract, is believed to be accurate and reliable and may be changed without notice.