



UD05206

Advance

LINEAR INTEGRATED CIRCUIT

2.0A, LOW NOISE 1.5MHz SYNCHRONOUS STEP-DOWN CONVERTER

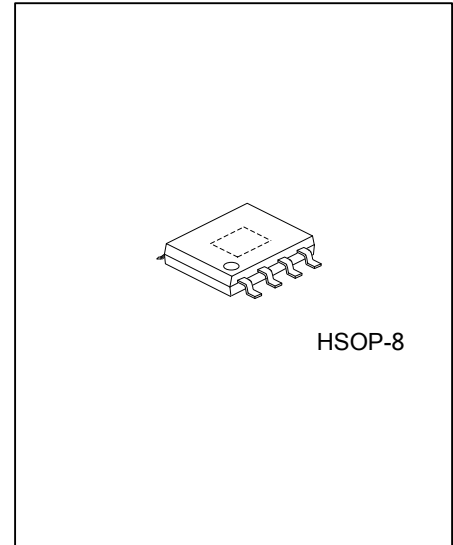
DESCRIPTION

The UTC **UD05206** is a high-frequency, synchronous, rectified, step-down, switch-mode converter with internal power MOSFETs.

It offers a very compact solution to achieve a 2A continuous output current over from 2.5V to 5.5V input supply range, with excellent load and line regulation.

The output voltage is adjustable from 0.6V to the input voltage. During shutdown, the input is disconnected from the output and the shutdown current is less than 1µA. Other key features include over-temperature and short circuit protection, and under-voltage lockout to prevent deep battery discharge.

The UTC **UD05206** at 2A maximum output current. Ultra-low $R_{DS(ON)}$ integrated MOSFET and 100% duty cycle operation make the UTC **UD05206** an ideal choice for high-output voltage, high-current applications which require a low dropout threshold.



HSOP-8

FEATURES

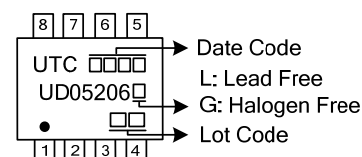
- * Output Current : Up to 2A
- * Output Voltage : 0.6V to V_{IN}
- * Input Voltage : 2.5V to 5.5V
- * Low- $R_{DS(ON)}$ Internal Power MOSFETs
- * High-Efficiency Synchronous-Mode Operation, up to 100%
- * Shutdown Current < 1µA
- * 100% Duty Cycle Operation
- * Fixed 1.5MHz Switching Frequency
- * Current Mode Operation
- * Internal Soft-Start
- * Current Limit Protection
- * Over-temperature Protection
- * Input Under Voltage Lockout (UVLO)

ORDERING INFORMATION

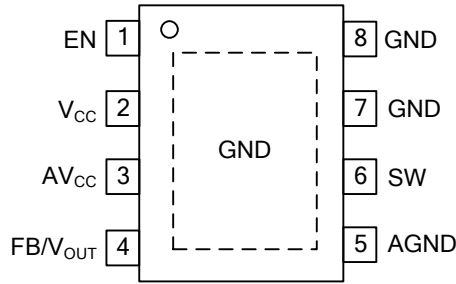
Ordering Number		Package	Packing
Lead Free	Halogen Free		
UD05206L-SH2-R	UD05206G-SH2-R	HSOP-8	Tape Reel

<p>UD05206G-SH2-R</p> <p>(1)Packing Type</p> <p>(2)Package Type</p> <p>(3)Green Package</p>	<p>(1) R: Tape Reel</p> <p>(2) SH2: HSOP-8</p> <p>(3) G: Halogen Free and Lead Free, L: Lead Free</p>
---	---

MARKING



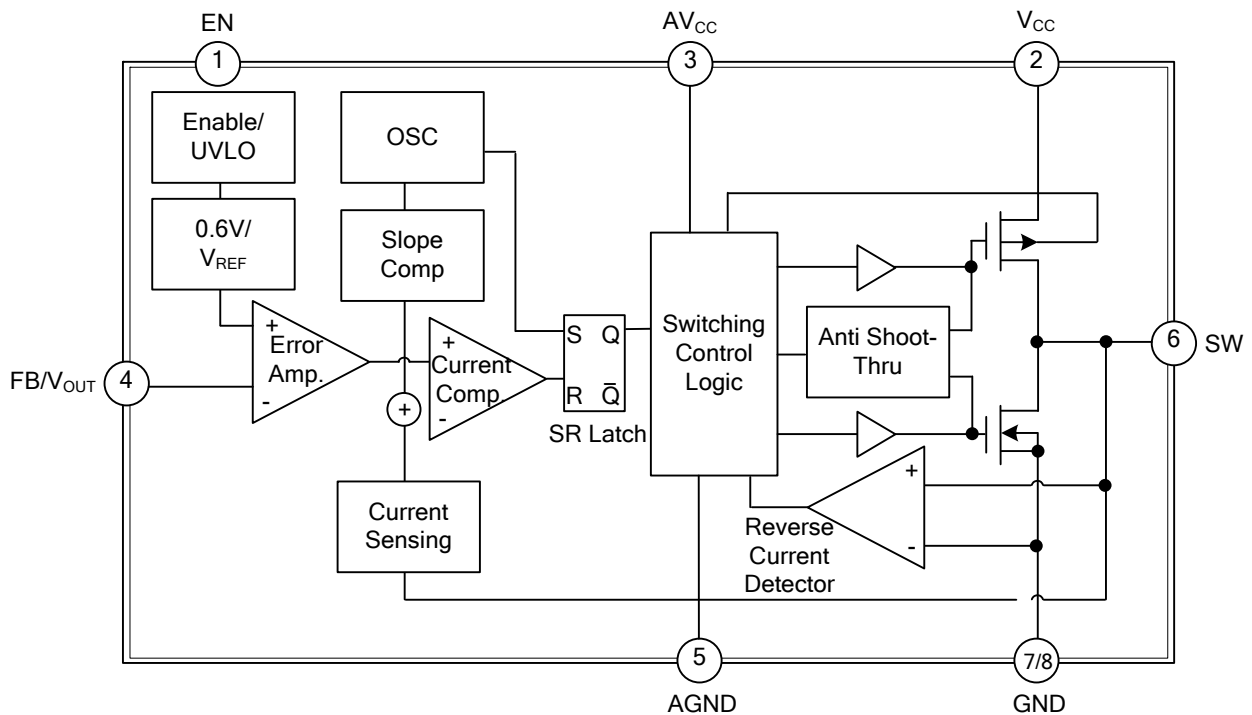
■ PIN CONFIGURATION



■ PIN DESCRIPTION

PIN NO.	PIN NAME	DESCRIPTION
1	EN	Enable / UVLO
2	V _{CC}	Supply Voltage
3	AV _{CC}	Analog Supply Voltage
4	FB/V _{OUT}	Feedback
5	AGND	Analog Ground
6	SW	Switch
7, 8	GND	Ground

■ BLOCK DIAGRAM



■ ABSOLUTE MAXIMUM RATING ($T_A = 25^\circ\text{C}$, unless otherwise specified)

PARAMETER	SYMBOL	RATINGS	UNIT
Supply Input Voltage	V_{IN}, PV_{IN}	6.0	V
SW Pin Voltage	V_{SW}	$V_{IN}+0.3$	V
FB Pin Voltage	V_{FB}	$V_{IN}+0.3$	V
EN Pin Voltage	V_{EN}	6.6	V
Maximum Switch Source Current(DC)		2.6	A
Maximum Peak SW Sink and Source Current(AC)		4.3	A
Maximum Junction Temperature Range	T_J	+125	$^\circ\text{C}$
Storage Temperature Range	T_{STG}	-65 ~ +150	$^\circ\text{C}$

Note: Absolute maximum ratings are those values beyond which the device could be permanently damaged. Absolute maximum ratings are stress ratings only and functional device operation is not implied.

■ RECOMMENDED OPERATING CONDITIONS

PARAMETER	SYMBOL	RATINGS	UNIT
Supply Input Voltage	V_{IN}	+2.5V ~ +5.5V	V
Operating Ambient Temperature Range	T_A	-40 ~ +85	$^\circ\text{C}$

■ THERMAL CHARACTERISTICS

PARAMETER	SYMBOL	RATINGS	UNIT
Junction to Ambient	θ_{JA}	90	$^\circ\text{C/W}$
Junction to Case	θ_{JC}	11	$^\circ\text{C/W}$

■ ELECTRICAL CHARACTERISTICS

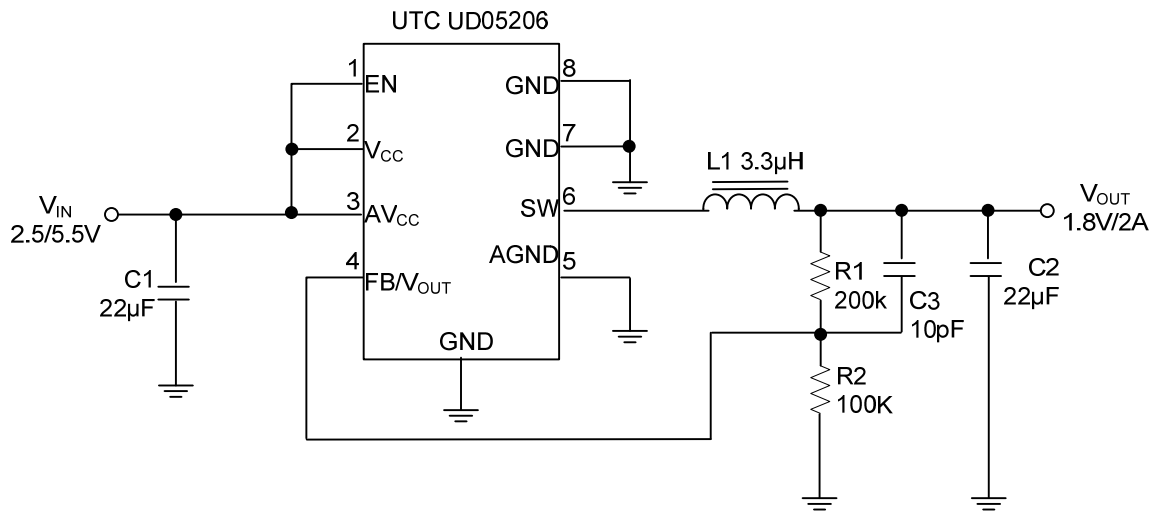
($V_{IN} = 3.6\text{V}$, $T_A = 25^\circ\text{C}$ unless otherwise noted)

PARAMETER	SYMBOL	TEST CONDITIONS	MIN	TYP	MAX	UNIT
Input Voltage Range	V_{IN}		2.5		5.5	V
Quiescent Current	I_Q			128		μA
Shutdown Current	I_{SHDN}	$V_{EN} = 0\text{V}$.			1	μA
HS Switch-On Resistance (Note 1, 2)	HS_{RDS-ON}	$I_{SW}=100\text{mA}$		120		$\text{m}\Omega$
LS Switch-On Resistance (Note 1, 2)	LS_{RDS-ON}	$I_{SW}=-100\text{mA}$		130		$\text{m}\Omega$
SW Leakage	I_{LSW}	$V_{EN}=0\text{V}, V_{IN}=5\text{V}$		± 0.01	± 1.0	μA
Peak Inductor Current	I_{PK}	$V_{FB}=0.5\text{V}$		3.3		A
Feedback Voltage	V_{FB}	$T_A = 25^\circ\text{C}$	0.588	0.6	0.612	V
		$T_A = -40^\circ\text{C} \sim +85^\circ\text{C}$	0.582	0.6	0.618	V
EN Threshold	V_{EN}		0.3	1		V
EN Input Current	I_{EN}	$V_{IN} = V_{EN} = 0\text{V}$		± 0.01	± 1.0	μA
Oscillation frequency	F_{SW}		1.2		1.8	MHz

Notes: 1. Guaranteed by design.

2. Not tested in production and guaranteed by over-temperature correlation.

■ TYPICAL APPLICATION CIRCUIT



UTC assumes no responsibility for equipment failures that result from using products at values that exceed, even momentarily, rated values (such as maximum ratings, operating condition ranges, or other parameters) listed in products specifications of any and all UTC products described or contained herein. UTC products are not designed for use in life support appliances, devices or systems where malfunction of these products can be reasonably expected to result in personal injury. Reproduction in whole or in part is prohibited without the prior written consent of the copyright owner. The information presented in this document does not form part of any quotation or contract, is believed to be accurate and reliable and may be changed without notice.