



UF730

Power MOSFET

5.5 Amps, 400 Volts N-CHANNEL POWER MOSFET

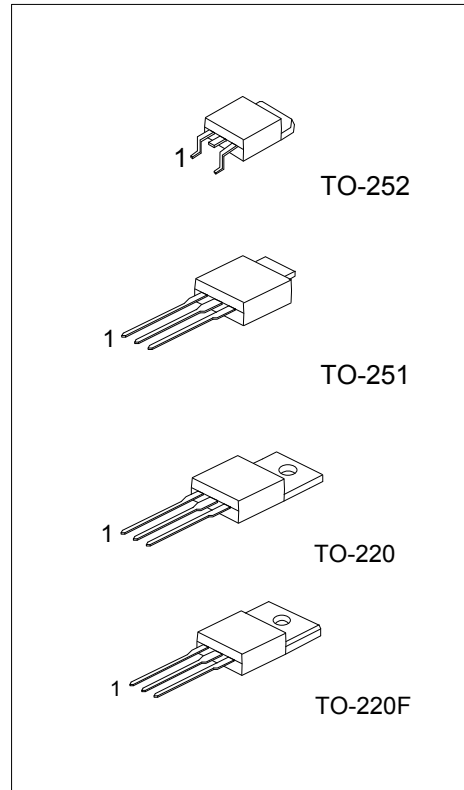
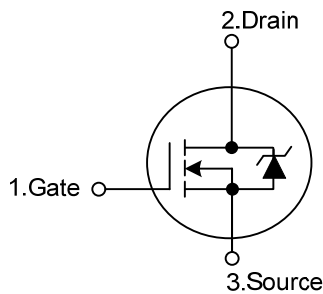
DESCRIPTION

The N-Channel enhancement mode silicon gate power MOSFET is designed for high voltage, high speed power switching applications such as switching regulators, switching converters, solenoid, motor drivers, relay drivers.

FEATURES

- * $R_{DS(ON)} = 1\Omega @ V_{GS} = 10V$
- * Avalanche Energy Specified
- * Rugged - SOA is Power Dissipation Limited
- * Fast Switching Capability
- * Linear Transfer Characteristics
- * High Input Impedance

SYMBOL



ORDERING INFORMATION

Ordering Number		Package	Pin Assignment			Packing
Lead Free	Halogen Free		1	2	3	
UF730L-TA3-T	UF730G-TA3-T	TO-220	G	D	S	Tube
UF730L-TF3-T	UF730G-TF3-T	TO-220F	G	D	S	Tube
UF730L-TM3-T	UF730G-TM3-T	TO-251	G	D	S	Tube
UF730L-TN3-R	UF730G-TN3-R	TO-252	G	D	S	Tape Reel
UF730L-TN3-T	UF730G-TN3-T	TO-252	G	D	S	Tube

<p>UF730L-TA3-T</p> <p>(1)Packing Type (2)Package Type (3)Lead Free</p>	<p>(1) T: Tube, R: Tape Reel (2) TA3: TO-220, TF3: TO-220F TM3: TO-251, TN3: TO-252 (3) G: Halogen Free, L: Lead Free</p>
---	---

■ ABSOLUTE MAXIMUM RATINGS (T_C = 25°C, unless otherwise specified)

PARAMETER		SYMBOL	RATINGS	UNIT
Drain-Source Voltage		V _{DSS}	400	V
Drain-Gate Voltage (R _{GS} = 20kΩ) (T _J = 25°C ~ 125°C)		V _{DGR}	400	V
Gate-Source Voltage		V _{GSS}	±20	V
Continuous Drain Current		I _D	5.5	A
Pulsed Drain Current (Note 1)		I _{DM}	22	A
Single Pulse Avalanche Energy (Note 2)		E _{AS}	300	mJ
Power Dissipation	TO-220	P _D	73	W
	TO-220F		38	
	TO-251 / TO-252		48	
Junction Temperature		T _J	+150	°C
Storage Temperature		T _{STG}	-55 ~ +150	°C

Note: Absolute maximum ratings are those values beyond which the device could be permanently damaged.
 Absolute maximum ratings are stress ratings only and functional device operation is not implied.

■ THERMAL DATA

PARAMETER		SYMBOL	RATINGS	UNIT
Junction-to-Ambient	TO-220	θ _{JA}	62.5	°C/W
	TO-220F		62.5	
	TO-251 / TO-252		110	
Junction-to-Case	TO-220	θ _{JC}	1.71	°C/W
	TO-220F		3.31	
	TO-251 / TO-252		2.6	

■ ELECTRICAL CHARACTERISTICS (T_C = 25°C, unless otherwise specified.)

PARAMETER	SYMBOL	TEST CONDITIONS	MIN	TYP	MAX	UNIT
OFF CHARACTERISTICS						
Drain-Source Breakdown Voltage	BV _{DSS}	V _{GS} = 0V, I _D = 250μA	400			V
On-State Drain Current (Note 3)	I _{D(ON)}	V _{DS} > I _{D(ON)} × R _{DS(ON)MAX} , V _{GS} = 10V	5.5			A
Drain-Source Leakage Current	I _{DSS}	V _{DS} = Rated BV _{DSS} , V _{GS} = 0V			25	μA
Gate-Source Leakage Current	I _{GSS}	V _{GS} = ±20V			±100	nA
ON CHARACTERISTICS						
Gate Threshold Voltage	V _{GS(TH)}	V _{DS} = V _{GS} , I _D = 250μA	2.0		4.0	V
Static Drain-Source On-State Resistance	R _{DS(ON)}	I _D = 3.0A, V _{GS} = 10V		0.8	1.0	Ω
DYNAMIC CHARACTERISTICS						
Input Capacitance	C _{ISS}	V _{DS} = 25V, V _{GS} = 0V, f = 1MHz		600		pF
Output Capacitance	C _{OSS}			150		pF
Reverse Transfer Capacitance	C _{RSS}			40		pF
SWITCHING CHARACTERISTICS						
Turn-On Delay Time	t _{D(ON)}	V _{DD} = 200V, I _D ≈ 5.5A, R _{GS} = 12Ω, R _L = 35Ω (Note 3, 4)		10	17	ns
Turn-On Rise Time	t _R			20	29	ns
Turn-Off Delay Time	t _{D(OFF)}			35	56	ns
Turn-Off Fall Time	t _F			15	24	ns
Total Gate Charge	Q _G	V _{GS} = 10V, I _D = 5.5A,		20	35	nC
Gate-Source Charge	Q _{GS}	V _{DS} = 0.8 × Rated BV _{DSS}		3.0		nC
Gate-Drain Charge	Q _{GD}	I _{G(REF)} = 1.5mA		10		nC

■ ELECTRICAL CHARACTERISTICS(Cont.)

PARAMETER	SYMBOL	TEST CONDITIONS	MIN	TYP	MAX	UNIT
DRAIN-SOURCE DIODE CHARACTERISTICS AND MAXIMUM RATINGS						
Drain-Source Diode Forward Voltage	V_{SD}	$V_{GS} = 0V, I_{SD} = 5.5A,$			1.6	V
Maximum Continuous Drain-Source Diode Forward Current	I_S				5.5	A
Maximum Pulsed Drain-Source Diode Forward Current	I_{SM}				22	A
Reverse Recovery Time	t_{RR}	$I_{SD} = 5.5A, dI_{SD}/dt = 100A/\mu s$	140	300	660	ns
Reverse Recovery Charge	Q_{RR}	(Note 3)	0.93	2.1	4.3	μC

- Notes:
1. Repetitive Rating : Pulse width limited by T_J
 2. $L = 20mH, I_{AS} = 5.5A, V_{DD} = 50V, R_G = 25 \Omega,$ Starting $T_J = 25^\circ C$
 3. Pulse Test: Pulse width $\leq 300\mu s,$ Duty cycle $\leq 2\%$
 4. Essentially independent of operating temperature

■ TEST CIRCUITS AND WAVEFORMS

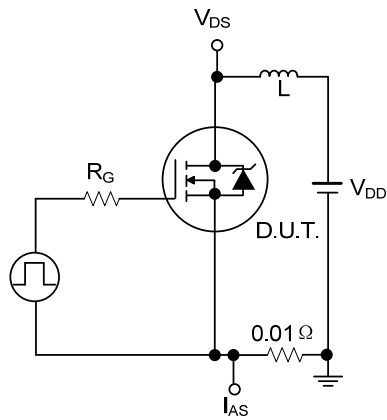


Figure 1A. Unclamped Energy Test Circuit

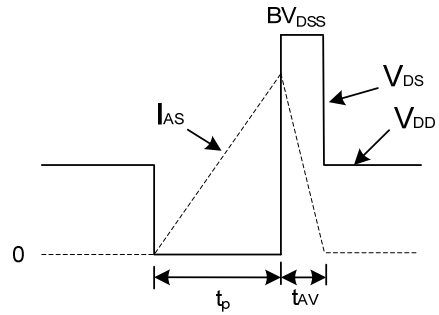


Figure 1B. Unclamped Energy Waveforms

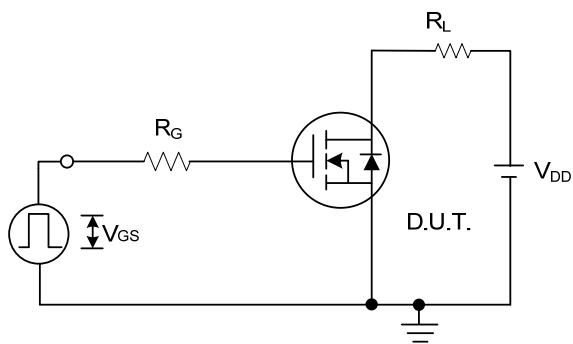


Figure 2A. Switching Time Test Circuit

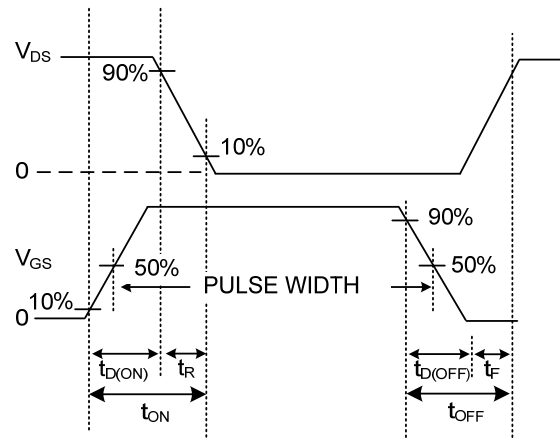


Figure 2B. Resistive Switching Waveforms

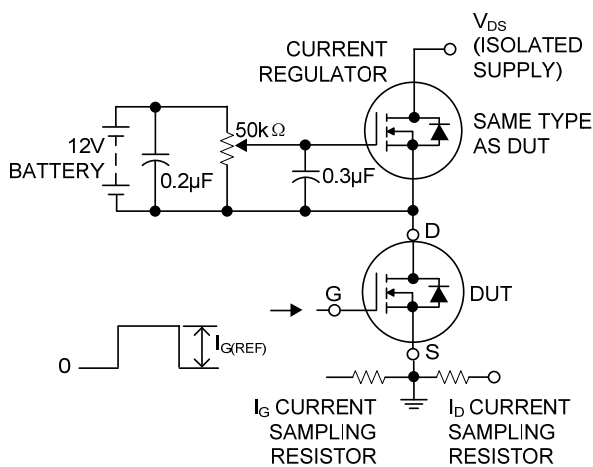


Figure 3A. Gate Charge Test Circuit

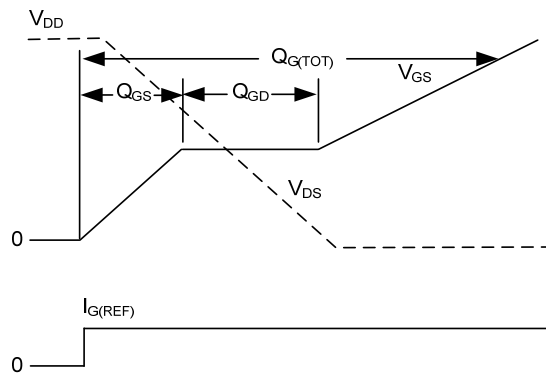
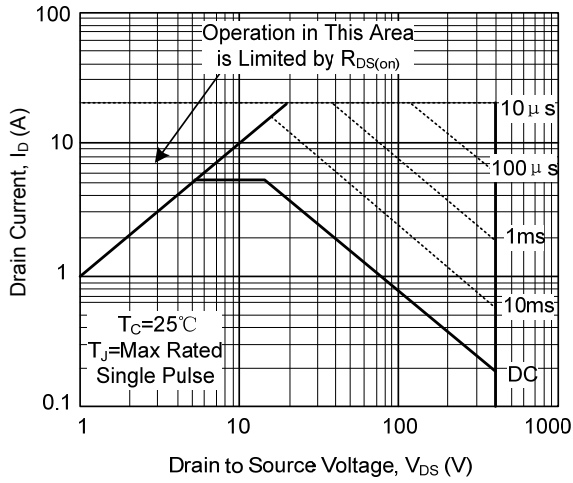


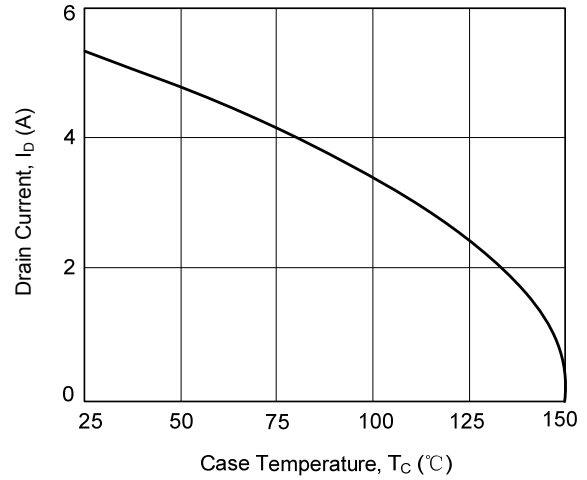
Figure 3B. Gate Charge Waveforms

TYPICAL CHARACTERISTICS

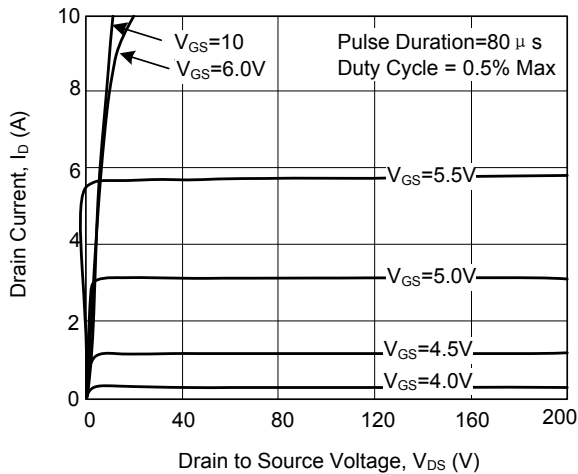
Forward Bias Safe Operating Area



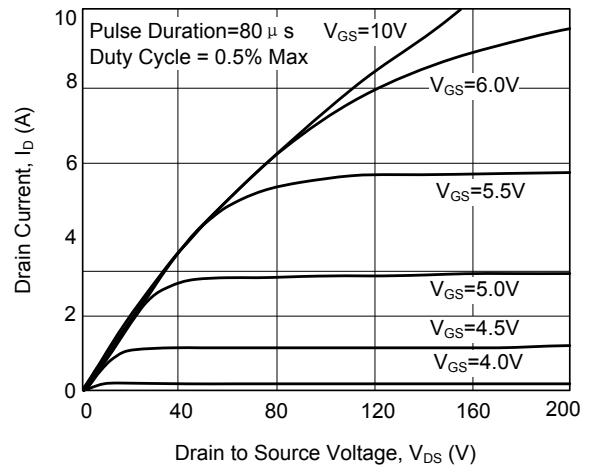
Maximum Continuous Drain Current vs. Case Temperature



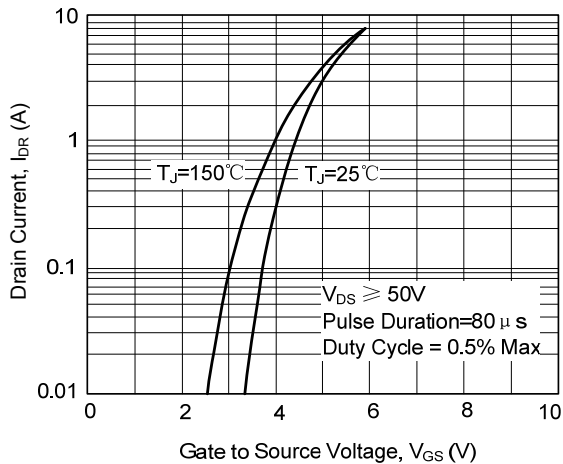
Output Characteristics



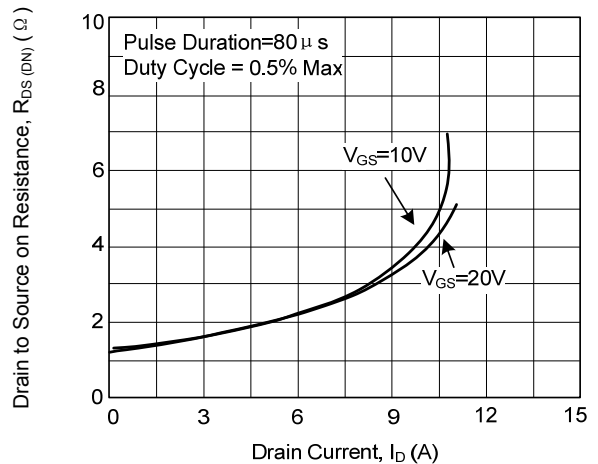
Sturation Characteristics



Transfer Characteristics

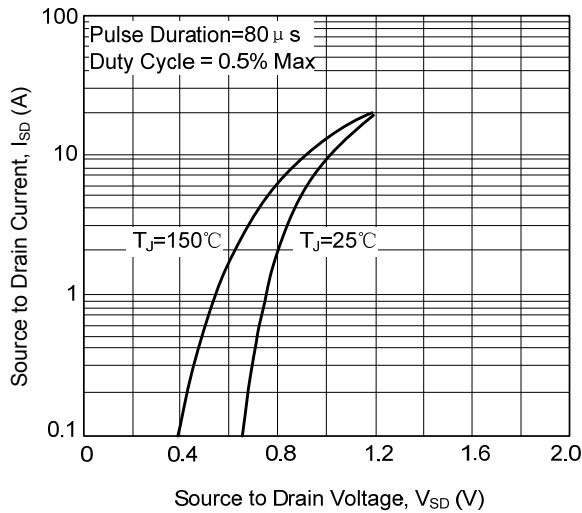


Drain to Source on Resistance vs. Gate Voltage and Drain Current

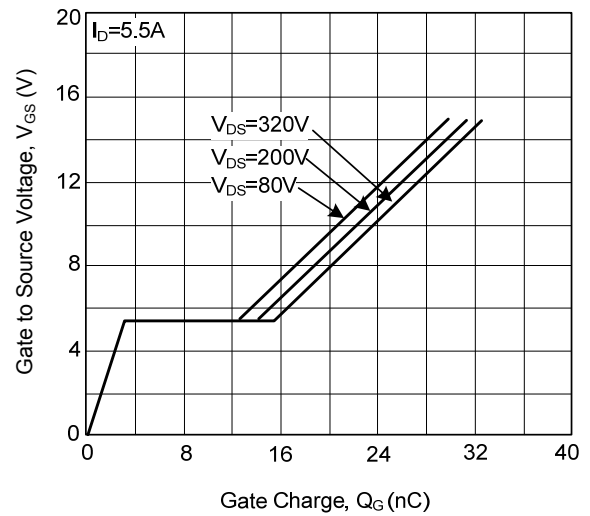


TYPICAL CHARACTERISTICS

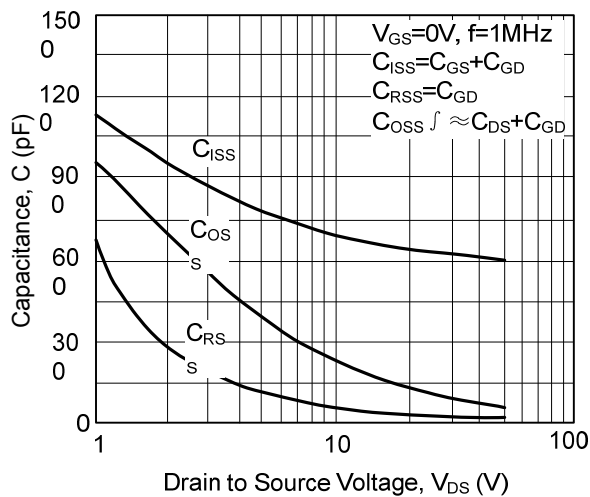
Source to Drain Diode Voltage



Gate to Source Voltage vs. Gate Charge



Capacitance vs. Drain to Source Voltage



UTC assumes no responsibility for equipment failures that result from using products at values that exceed, even momentarily, rated values (such as maximum ratings, operating condition ranges, or other parameters) listed in products specifications of any and all UTC products described or contained herein. UTC products are not designed for use in life support appliances, devices or systems where malfunction of these products can be reasonably expected to result in personal injury. Reproduction in whole or in part is prohibited without the prior written consent of the copyright owner. The information presented in this document does not form part of any quotation or contract, is believed to be accurate and reliable and may be changed without notice.