



UF9530

POWER MOSFET

-14A, -100V P-CHANNEL POWER MOSFET

■ DESCRIPTION

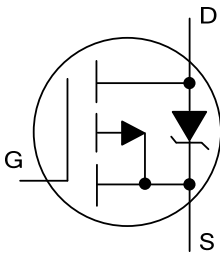
The UTC **UF9530** is a P-channel Power MOSFET, it uses UTC's advanced technology to provide the customers with high switching speed and a minimum on-state resistance.

The UTC **UF9530** is suitable for all commercial-industrial applications, etc.

■ FEATURES

- * $R_{DS(ON)} \leq 0.2\Omega$ @ $V_{GS}=-10V, I_D=-8.4A$
- * High Switching Speed
- * Dynamic dv/dt Rating

■ SYMBOL



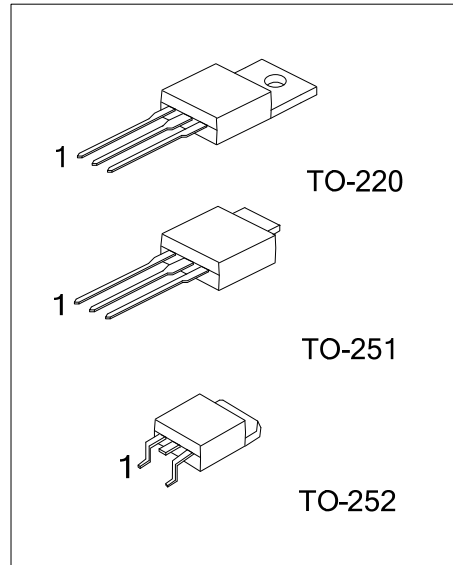
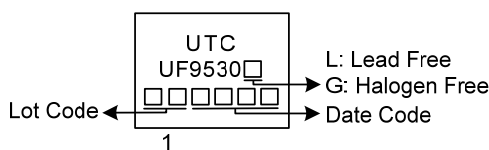
■ ORDERING INFORMATION

Ordering Number		Package	Pin Assignment			Packing
Lead Free	Halogen Free		1	2	3	
UF9530L-TA3-T	UF9530G-TA3-T	TO-220	G	D	S	Tube
UF9530L-TM3-T	UF9530G-TM3-T	TO-251	G	D	S	Tube
UF9530L-TN3-R	UF9530G-TN3-R	TO-252	G	D	S	Tape Reel

Note: Pin Assignment: G: Gate D: Drain S: Source

<p>UF9530G-TA3-T</p> <p>(1)Packing Type</p> <p>(2)Package Type</p> <p>(3)Green Package</p>	<p>(1) T: Tube, R: Tape Reel</p> <p>(2) TA3: TO-220, TM3: TO-251, TN3: TO-252</p> <p>(3) G: Halogen Free and Lead Free, L: Lead Free</p>
--	--

■ MARKING



■ ABSOLUTE MAXIMUM RATING

PARAMETER		SYMBOL	RATINGS	UNIT	
Drain-Source Voltage		V_{DSS}	-100	V	
Gate-Source Voltage		V_{GSS}	±20	V	
Drain Current	Continuous	I_D	$V_{GS}=-10V, T_C=25^{\circ}C$	-14	A
			$V_{GS}=-10V, T_C=100^{\circ}C$	-10	A
	Pulsed (Note 1)		I_{DM}	-56	A
Avalanche Current (Note 1)		I_{AR}	-8.4	A	
Avalanche Energy	Single Pulse (Note 2)	E_{AS}	250	mJ	
	Repetitive (Note 1)	E_{AR}	7.9	mJ	
Peak Diode Recovery dv/dt (Note 3)		dv/dt	-5.0	V/ns	
Power Dissipation ($T_C=25^{\circ}C$)	TO-220	P_D	79	W	
	TO-251/TO-252		46	W	
Linear Derating Factor			0.53	W/°C	
Junction Temperature		T_J	-55 ~ +175	°C	
Storage Temperature Range		T_{STG}	-55 ~ +175	°C	

Note: Absolute maximum ratings are those values beyond which the device could be permanently damaged. Absolute maximum ratings are stress ratings only and functional device operation is not implied.

■ THERMAL RESISTANCE

PARAMETER		SYMBOL	RATINGS	UNIT
Junction to Ambient	TO-220	θ_{JA}	62	°C/W
	TO-251/TO-252		100.3	°C/W
Junction to Case	TO-220	θ_{JC}	1.9	°C/W
	TO-251/TO-252		2.7	°C/W

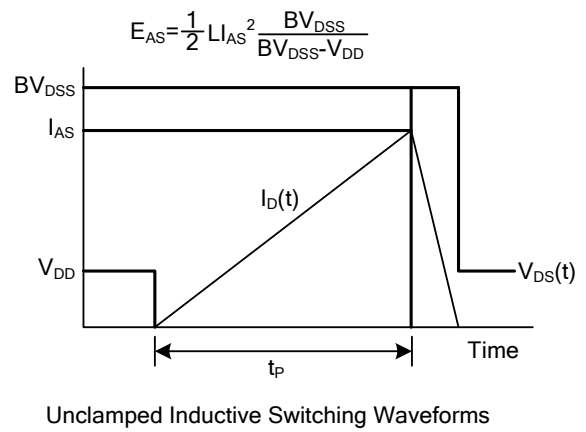
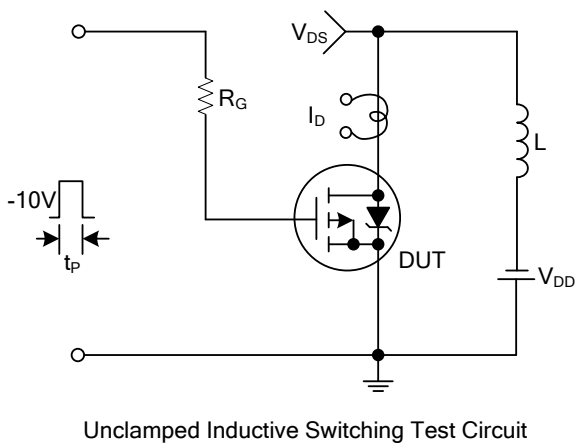
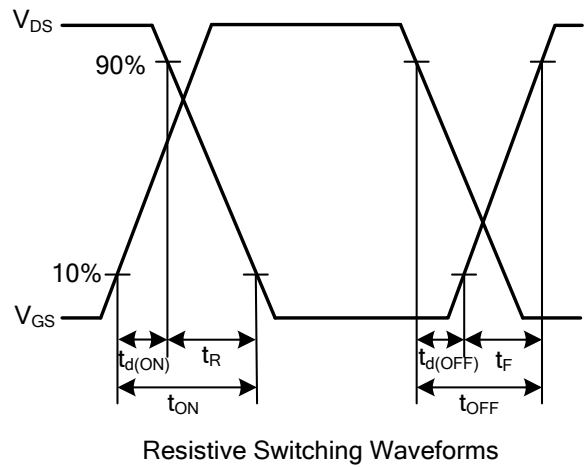
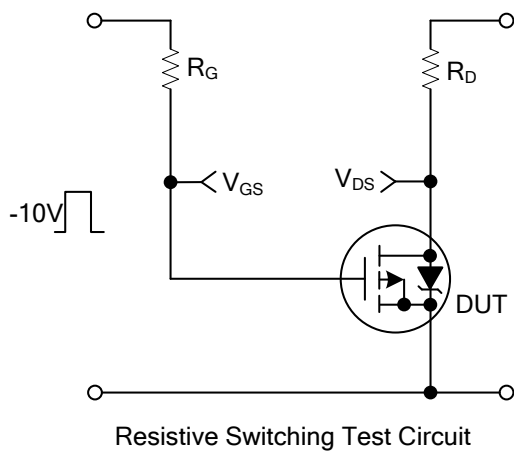
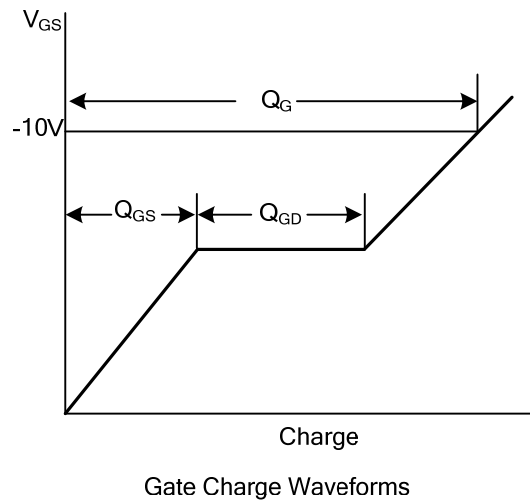
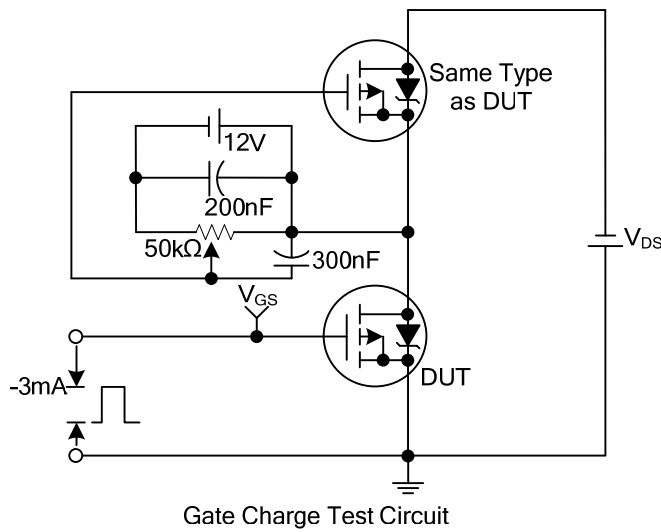
■ ELECTRICAL CHARACTERISTICS (T_J=25°C, unless otherwise specified)

PARAMETER	SYMBOL	TEST CONDITIONS	MIN	TYP	MAX	UNIT	
OFF CHARACTERISTICS							
Drain-Source Breakdown Voltage	BV _{DSS}	I _D =-250μA, V _{GS} =0V	-100			V	
Breakdown Voltage Temperature Coefficient	ΔBV _{DSS} /ΔT _J	Reference to 25°C, I _D =-1mA		-0.11		V/°C	
Drain-Source Leakage Current	I _{DSS}	V _{DS} =-100V, V _{GS} =0V			-25	μA	
		V _{DS} =-80V, V _{GS} =0V, T _J =150°C			-250	μA	
Gate-Source Leakage Current	Forward	I _{GSS}				nA	
	Reverse						V _{GS} =20V, V _{DS} =0V
						-100	nA
ON CHARACTERISTICS							
Static Drain-Source On-State Resistance	R _{DS(ON)}	V _{GS} =-10V, I _D =-8.4A (Note 4)			0.20	Ω	
Gate Threshold Voltage	V _{GS(TH)}	V _{DS} =V _{GS} , I _D =-250μA	-2.0		-4.0	V	
Forward Transconductance	g _{FS}	V _{DS} =-50V, I _D =-8.4A	3.2			S	
DYNAMIC PARAMETERS							
Input Capacitance	C _{ISS}	V _{GS} =0V, V _{DS} =-25V, f=1.0MHz		760		pF	
Output Capacitance	C _{OSS}				260		pF
Reverse Transfer Capacitance	C _{RSS}				170		pF
SWITCHING PARAMETERS							
Total Gate Charge	Q _G	I _D =-8.4A, V _{DS} =-80V, V _{GS} =-10V, (Note 4)			58	nC	
Gate to Source Charge	Q _{GS}				8.3	nC	
Gate to Drain ("Miller") Charge	Q _{GD}				32	nC	
Turn-ON Delay Time	t _{D(ON)}	V _{DD} =-50V, I _D =-8.4A, R _G =9.1Ω R _D =6.2Ω, (Note 4)		15		ns	
Rise Time	t _R			58		ns	
Turn-OFF Delay Time	t _{D(OFF)}			45		ns	
Fall Time	t _F			46		ns	
SOURCE- DRAIN DIODE RATINGS AND CHARACTERISTICS							
Maximum Body Diode Continuous Source Current	I _S				-14	A	
Maximum Body-Diode Pulsed Current (Note 1)	I _{SM}				-56	A	
Drain-Source Diode Forward Voltage	V _{SD}	T _J =25°C, I _S =-8.4A, V _{GS} =0V (Note 4)			-1.6	V	
Body Diode Reverse Recovery Time	t _{rr}	T _J =25°C, I _F =-8.4A, di/dt=-100A/μs (Note 4)		130	190	ns	
Body Diode Reverse Recovery Charge	Q _{rr}				650	970	nC
Forward Turn-On Time	t _{ON}	Intrinsic turn-on time is negligible (turn-on is dominated by L _S +L _D)					

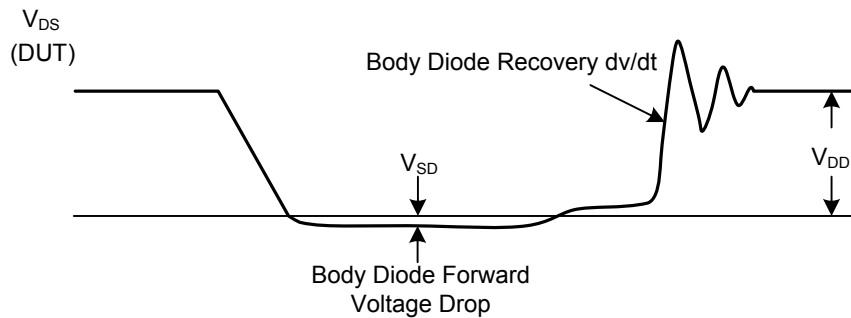
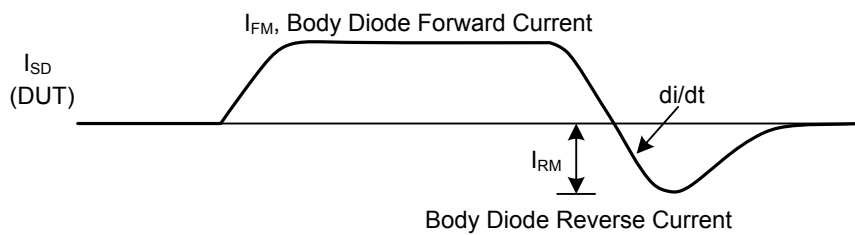
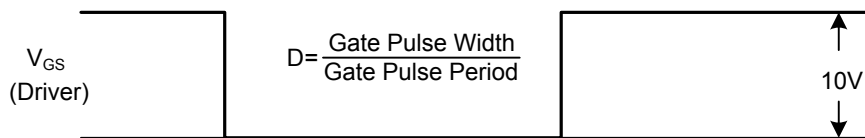
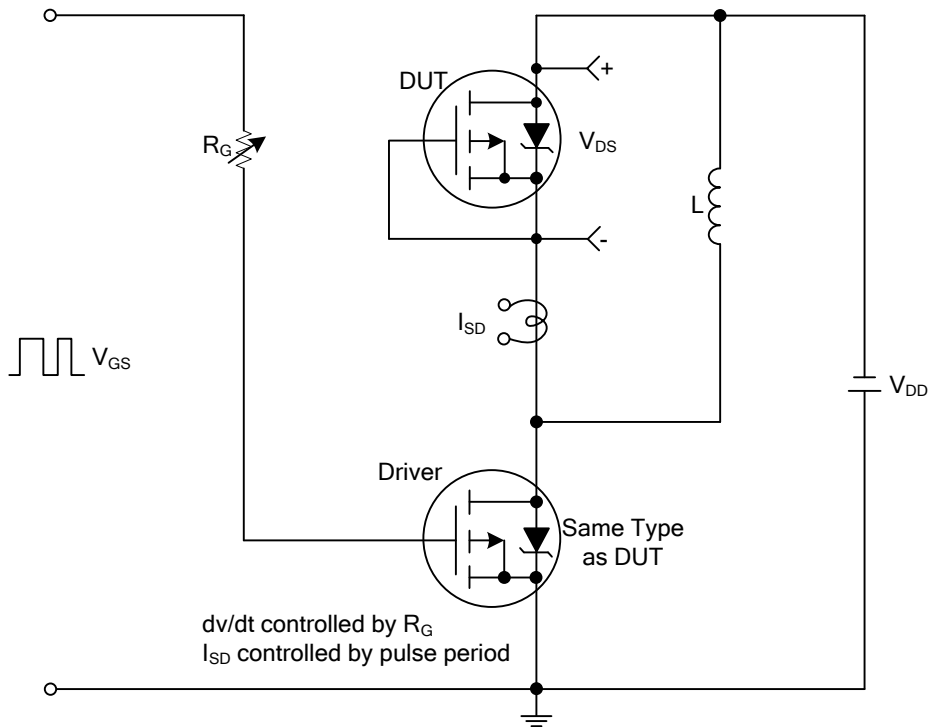
Notes: 1. Repetitive rating; pulse width limited by max. junction temperature..

2. Starting T_J=25°C, L=7.0mH, R_G=25Ω, I_{AS}=-8.4A.
3. I_{SD}≤-8.4A, di/dt≤-490A/μs, V_{DD}≤BV_{DSS}, T_J≤175°C.
4. Pulse width≤300μs; duty cycle≤2%.

■ TEST CIRCUITS AND WAVEFORMS



■ TEST CIRCUITS AND WAVEFORMS



Peak Diode Recovery dv/dt Test Circuit and Waveforms

UTC assumes no responsibility for equipment failures that result from using products at values that exceed, even momentarily, rated values (such as maximum ratings, operating condition ranges, or other parameters) listed in products specifications of any and all UTC products described or contained herein. UTC products are not designed for use in life support appliances, devices or systems where malfunction of these products can be reasonably expected to result in personal injury. Reproduction in whole or in part is prohibited without the prior written consent of the copyright owner. UTC reserves the right to make changes to information published in this document, including without limitation specifications and product descriptions, at any time and without notice. This document supersedes and replaces all information supplied prior to the publication hereof.