



UL1030

Preliminary

LINEAR INTEGRATED CIRCUIT

3 CHANNEL CONSTANT-CURRENT DRIVER AND GREY-LEVEL MODULATE OUTPUT

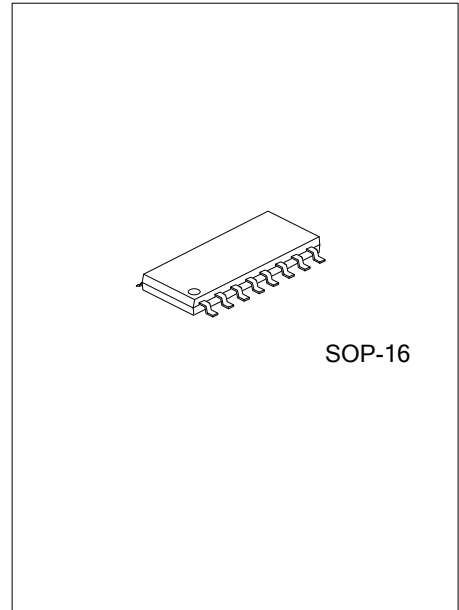
■ DESCRIPTION

UTC **UL1030** is designed for driving chip of LED lighting system design, it uses advanced high voltage CMOS technology, provide 3 channel constant current drive and gray scale modulation output, especially in the dissociation with mutual grey level in the full-color lighting system.

UTC **UL1030** includes serial shift register and concatenation driver circuit, grey level data shift into serial shift register in the clock, and transfer saving, it transfer to interface 3 after pulse-width modulate, then output, serial shift register and grey-level counter can be controlled by different clock signal. In the meantime, UTC **UL1030** driver data signal and control signal, and output next circuit.

■ FEATURES

- * 3 channel driver output, maxim current per channel is 45mA, LED light voltage can reach 12V
- * Output adopt In-Rush online feedback constant-current driver structure, compatible with constant-voltage module, it also can contact outside equipment and transfer to higher voltage or current output driver
- * Built-in LDO voltage-stabilizing circuit, voltage range : 3~8V, and have 5V stabilizing voltage output
- * Adopt self-add token ring technology dual shift line, shift clock can reach 25MHz
- * Directly input grey-level data, it is transfer to 256 output with reverse-gamma regulator after inside SUPER-PWM technology, e. g, adopt built-in oscillator as grey-level clock, it support FREE-RUN module output, especially can be used in low-cost controller
- * Data clock signal is driven strongly to next chip to enhance level after built-in phase-lock circuit
- * High-voltage CMOS technology, industrial design, with extra-good interference immunity

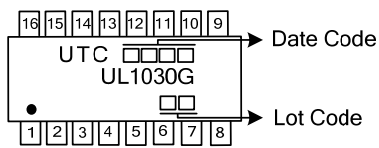


■ ORDERING INFORMATION

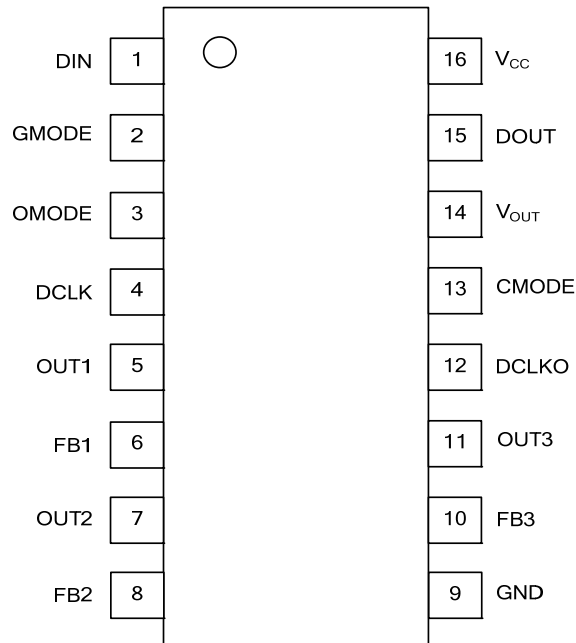
Ordering Number	Package	Packing
UL1030G-S16-R	SOP-16	Tape Reel

<p>UL1030G-S16-R</p> <p>(1) Packing Type (2) Package Type (3) Green Package</p>	<p>(1) R: Tape Reel (2) S16: SOP-16 (3) G: Halogen Free and Lead Free</p>
---	---

■ MARKING



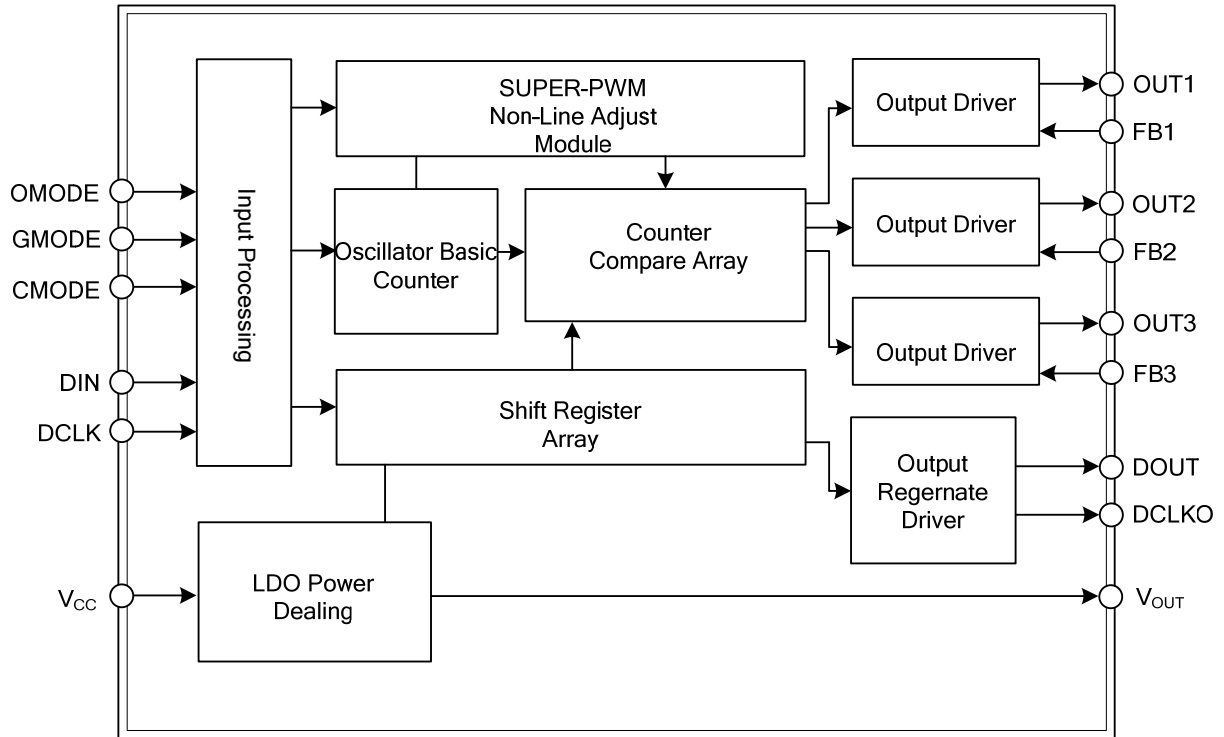
■ PIN CONFIGURATION



■ PIN DESCRIPTION

PIN NO.	PIN NAME	DESCRIPTION
1	DIN	Serial data input, built-in pull-up
2	GMODE	Grey-level regulate mode: GMODE=1, adapt line modulate, GMODE=0, adapt reverse-gamma 256 grade non-line regulate, built-in pull-up
3	OMODE	Control output polarity: OMODE=1, output is in-constant current/voltage drive mode, OMODE=0, output is out drive mode, voltage built-in pull-up
4	DCLK	Serial data clock input, built-in pull-up
5, 7, 11	OUT1, OUT2, OUT3	3 channel driver output
6, 8, 10	FB1, FB2, FB3	Feedback input in constant current state
9	GND	Ground
12	DCLKO	Serial clock output, after inside phase locked loop and strong drive output
13	CMODE	Choose inside grey clock GCLK, CMODE=0, GCLK=DCLK, CMODE=1, GCLK=inside oscillator output, built-in pull-up
14	V _{OUT}	When VCC>5V, 5V stable voltage output, when VCC>5V, VOUT=VCC, can be used as inside working voltage, suggest outside contact a 0.01μF-0.1μF capacity
15	DOUT	Serial data output, after inside strongly drive
16	V _{CC}	LDO power, range: 4.5V~8V

■ BLOCK DIAGRAM



■ ABSOLUTE MAXIMUM RATING

PARAMETER		SYMBOL	RATINGS	UNIT
Supply Voltage		V_{DD}	3~8	V
LED Light Voltage		V_{LED}	3~12	V
Data Clock Frequency	Compatible with Grey Level at 10	F_{CLK}	25	MHz
Maxim Driver Current	at Constant Voltage	I_{OMAX}	45	mA
	at Constant Current		30	mA
Channel Current Error	Chip Inside	D_{IO}	<5	%
	Between Chip		<6	%
Power Consumption		P_{DMAX}	600	mW
Soldering Temperature (8S)		T_M	300	°C
Operating Temperature		T_{OPR}	-40~+80	°C
Storage Temperature		T_{STG}	-65~+120	°C

Note: Absolute maximum ratings are those values beyond which the device could be permanently damaged. Absolute maximum ratings are stress ratings only and functional device operation is not implied.

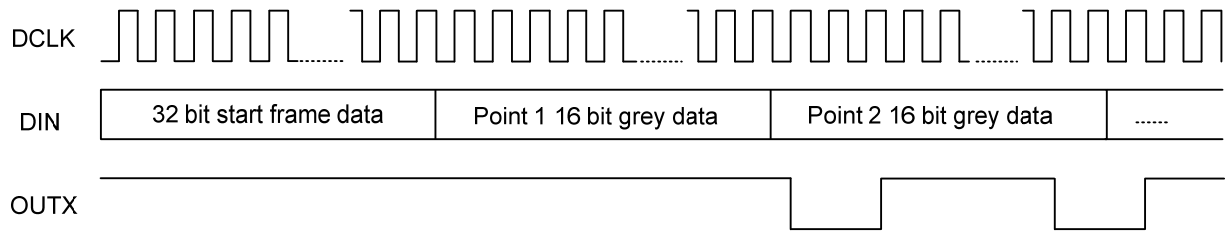
■ RECOMMENDED OPERATING CONDITIONS

PARAMETER		SYMBOL	RATINGS	UNIT
Supply Voltage		V_{DD}	5 ~ 7.5	V
Typical Voltage-Stabilizing Output Voltage		V_{OUT}	5 ± 5 %	V
Input Voltage		V_{IN}	-0.4 ~ $V_{OUT}+0.4$	V
Data Clock Frequency		F_{CLK}	0~15	MHz
Clock High-Level Voltage Width		T_{CLKH}	>30	ns
Clock Low-Level Voltage Width		T_{CLKL}	>30	ns
Data Build Time		T_{SETUP}	>10	ns
Data Keep Time		T_{HOLD}	>5	ns
Power Consumption		P_D	<350	mW
Operating Temperature		T_{OP}	-30 ~ +60	°C

■ TIMING SEQUENCE PARAMETER (T=25°C, $V_{DD}=5V$, OMODE=1, GMODE=0, CMODE=1)

PARAMETER	SYMBOL	TEST CONDITIONS	MIN	TYP	MAX	UNIT
Maxim Up and Down Time of Input Signal	T_R	$V_{DD}=5V$		400		ns
	T_F			300		ns
Up and Down Time of Concatenation Output Signal	T_{TLH}	$C_L=30pF, R_L=1K$		12		ns
	T_{THL}			12		ns
Maxim Delay Time of Concatenation Output	T_{PD}	$C_L=30pF, R_L=1K$		10		ns
	T_{CO}			10		ns
Min PWM Width of Driver Output	T_{ONMIN}	$I_{OUT}=20mA$		200		ns
Maxim Open and Close Time of Driver Output Signal	T_{ON}	$I_{OUT}=20mA$		60		ns
	T_{OFF}			60		ns

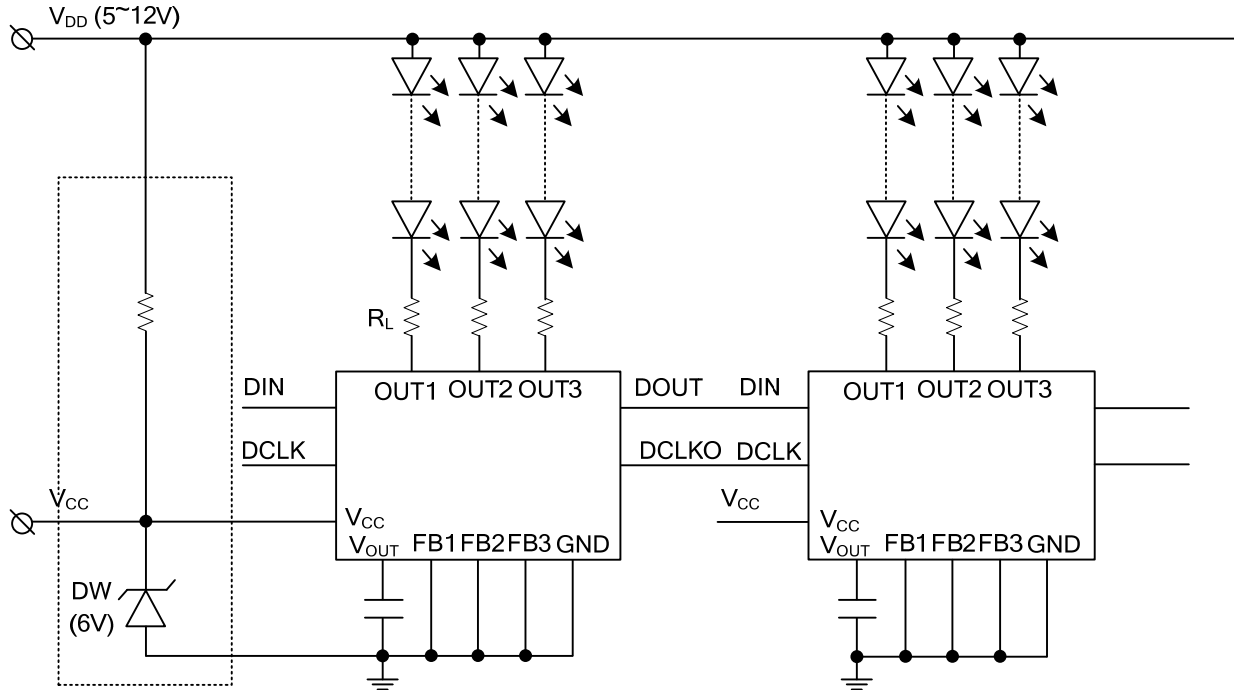
■ BASIC TIMING SEQUENCE



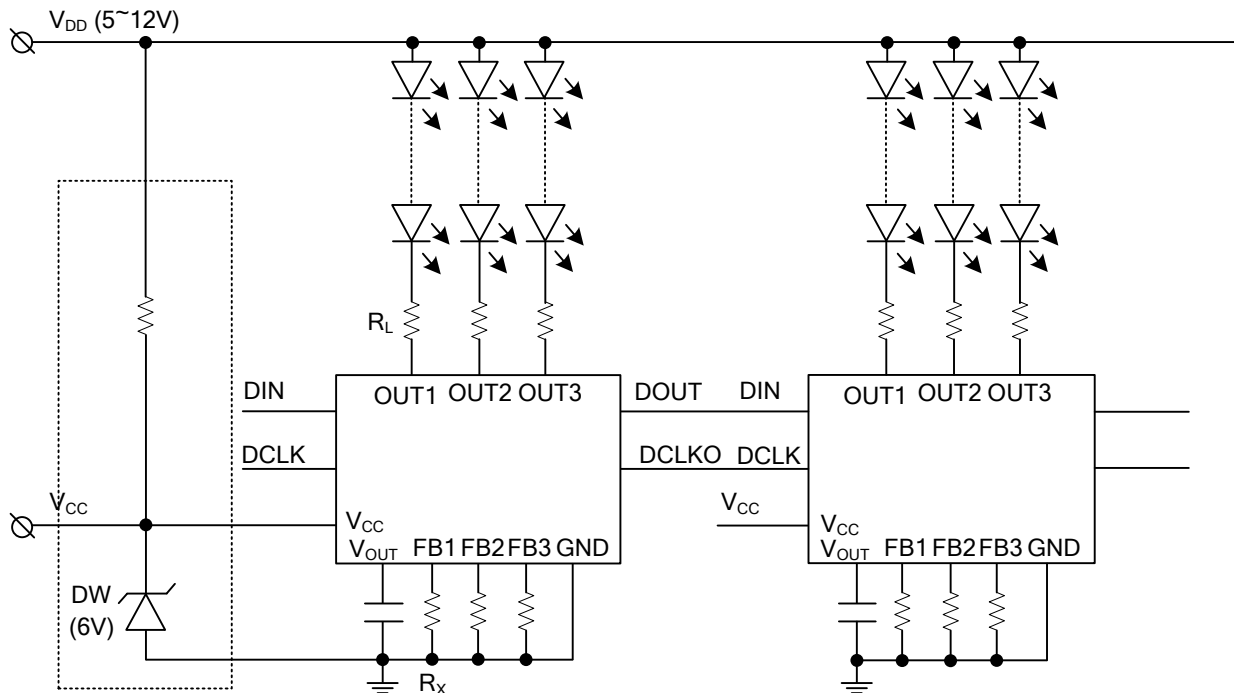
- A. First shift in 32bit "0" as start frame, then shift in all data frame, start frame and data frame both are shift by high-bit, every data is input on DCLK rising edge.
- B. The first data frame is corresponding LED light nearest from shift-in polar, its format includes 1bit as start "1" plus 3 groups 5bits grey level.
- C. Turn shift in all data, add append pulse of corresponding point, new data start valid.

■ TYPICAL APPLICATION CIRCUIT

Inside constant voltage driver mode:

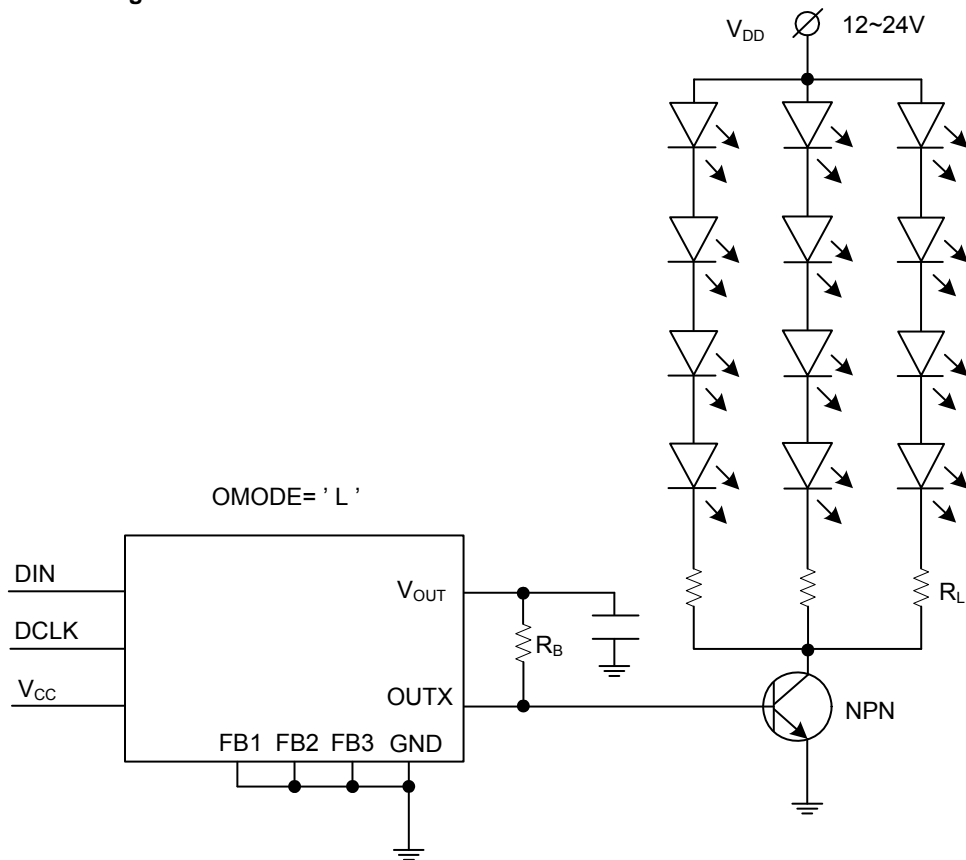


Inside constant current driver mode:

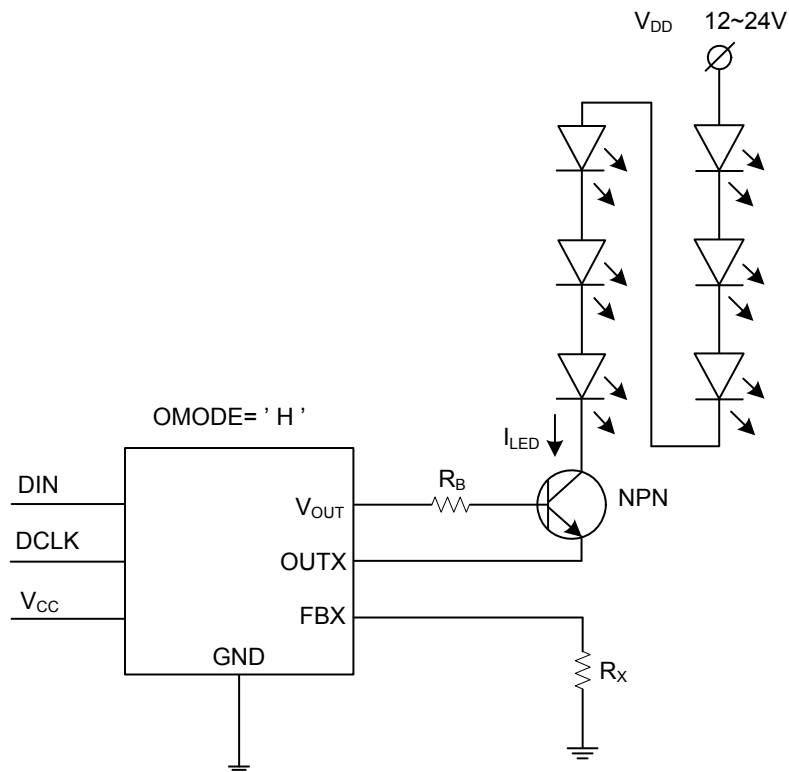


■ TYPICAL APPLICATION CIRCUIT (Cont.)

Outside constant voltage drive mode:



Outside constant current drive mode:



UTC assumes no responsibility for equipment failures that result from using products at values that exceed, even momentarily, rated values (such as maximum ratings, operating condition ranges, or other parameters) listed in products specifications of any and all UTC products described or contained herein. UTC products are not designed for use in life support appliances, devices or systems where malfunction of these products can be reasonably expected to result in personal injury. Reproduction in whole or in part is prohibited without the prior written consent of the copyright owner. The information presented in this document does not form part of any quotation or contract, is believed to be accurate and reliable and may be changed without notice.