



## UR5516

## LINEAR INTEGRATED CIRCUIT

### 3A BUS TERMINATION REGULATOR

#### DESCRIPTION

The UTC **UR5516** is designed to provide a regulated voltage with bi-directional output current for DDR-SDRAM termination.

Current-limit work to limit the short-circuit current, on-chip thermal shutdown provides protection against any combination of overload that would create excessive junction temperature. The output voltage tracks the voltage at  $V_{REF}$  pin. A resistor divider connected to  $V_{IN}$ , GND and  $V_{REF}$  pins is used to provide a half voltage of  $V_{IN}$  to  $V_{REF}$  pin. In addition, an external ceramic capacitor and an open-drain transistor connected to  $V_{REF}$  pin provides soft-start and shutdown control respectively. Pulling and holding the  $V_{REF}$  to GND shuts off the output. The output of UTC **UR5516** will be high impedance after being shut down by  $V_{REF}$  or thermal shutdown function.

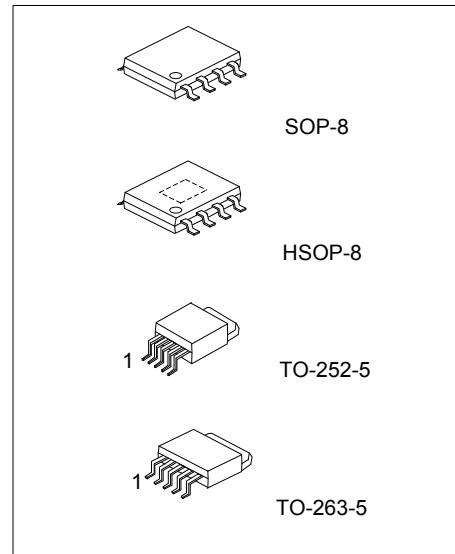
#### FEATURES

- \* Provide bi-direction current
  - Sourcing or sinking current up to 3A
- \* 1.25V/0.9V output for DDR I/II applications
- \* Fast transient response
- \* High output accuracy
  - $\pm 20\text{mv}$  over load,  $V_{OUT}$  offset and temperature
- \* Adjustable output voltage by external resistors
- \* Current-limit protection
- \* On-chip thermal shutdown
- \* Shutdown for standby or suspend mode

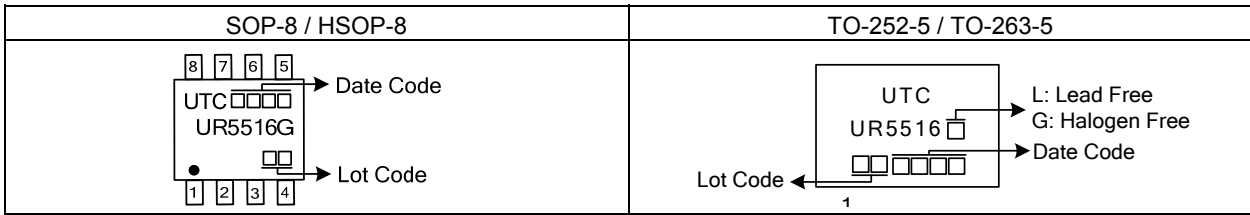
#### ORDERING INFORMATION

Ordering Number		Package	Packing
Normal	Lead Free Plating		
UR5516-S08-R	UR5516L-S08-R	SOP-8	Tape Reel
UR5516-SH2-R	UR5516L-SH2-R	HSOP-8	Tape Reel
UR5516-TN5-R	UR5516L-TN5-R	TO-252-5	Tape Reel
UR5516-TN5-T	UR5516L-TN5-T	TO-252-5	Tube
UR5516-TQ5-R	UR5516L-TQ5-R	TO-263-5	Tape Reel
UR5516-TQ5-T	UR5516L-TQ5-T	TO-263-5	Tube

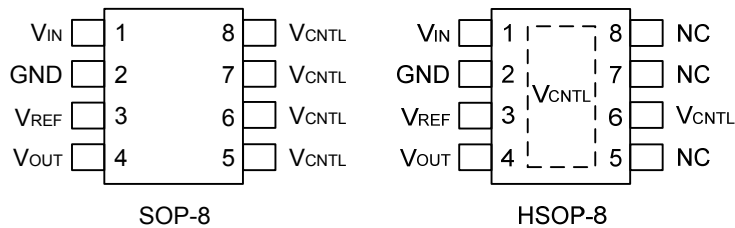
<p>UR5516G-S08-R</p> <p>(1) Packing Type (2) Package Type (3) Green Package</p>	<p>(1) R: Tape Reel, T: Tube (2) S08: SOP-8, SH2: HSOP-8, TN5: TO-252-5, TQ5: TO-263-5 (3) G: Halogen Free and Lead Free</p>
---	--



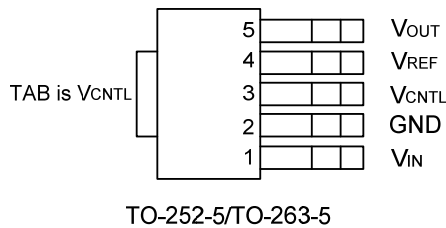
## MARKING



## PIN CONFIGURATION



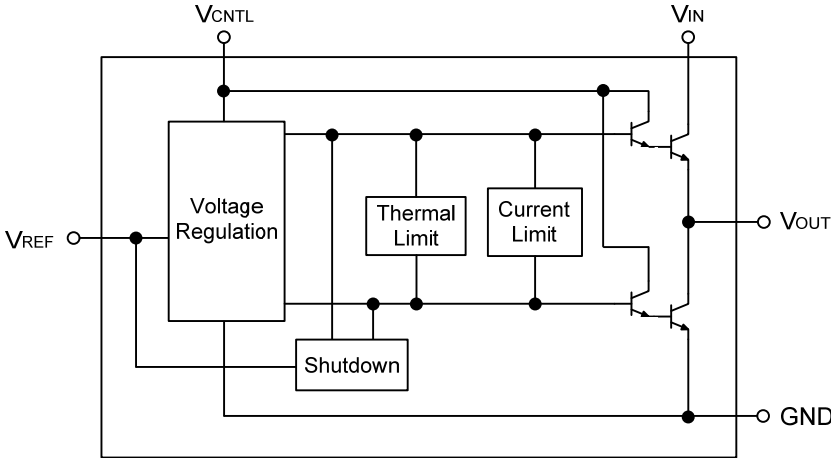
NC: No Connection



## PIN DESCRIPTION

PIN NAME	I/O	DESCRIPTION
$V_{IN}$	I	Main power input pin. Connect this pin to a voltage source and an input capacitor. The UTC <b>UR5516</b> sources current to $V_{OUT}$ pin by controlling the upper NPN pass transistor, providing a current path from $V_{IN}$ pin.
$GND$	O	Power and signal ground. Connect this pin to system ground plane with shortest traces. The UTC <b>UR5516</b> sinks current from $V_{OUT}$ pin by controlling the lower NPN pass transistor, providing a current path to $GND$ pin. This pin is also the ground path for internal control circuitry.
$V_{CNTL}$	I	Power input pin for internal control circuitry. Connect this pin to a voltage source, providing a bias for the internal control circuitry. A bypass capacitor is usually connected near this pin.
$V_{REF}$	I	Reference voltage input and active-low shutdown control pin. Apply a voltage to this pin as a reference voltage for the UTC <b>UR5516</b> . Connect this pin to a resistor divider, between $V_{IN}$ and $GND$ , and a capacitor for soft-start and filtering noise purposes. Applying and holding this pin low by an open-drain transistor to shut down the output.
$V_{OUT}$	O	Output pin of the regulator. Connect this pin to load. Output capacitors connected this pin improves stability and transient response. The output voltage tracks the reference voltage and is capable of sourcing or sinking current up to 3A.

■ BLOCK DIAGRAM



### ■ ABSOLUTE MAXIMUM RATINGS

PARAMETER	SYMBOL	RATINGS	UNIT
V <sub>CNTL</sub> Supply Voltage, V <sub>CNTL</sub> to GND	V <sub>CNTL</sub>	-0.2 ~ 7	V
V <sub>IN</sub> Supply Voltage, V <sub>IN</sub> to GND	V <sub>IN</sub>	-0.2 ~ 3.9	V
Power Dissipation	P <sub>D</sub>	Internally Limited	W
Junction Temperature	T <sub>J</sub>	+150	°C
Storage Temperature	T <sub>STG</sub>	-40 ~ +150	°C

Note Absolute maximum ratings are those values beyond which the device could be permanently damaged. Absolute maximum ratings are stress ratings only and functional device operation is not implied.

### ■ RECOMMENDED OPERATING CONDITIONS

PARAMETER	SYMBOL	RANGES	UNIT
V <sub>CNTL</sub> Supply Voltage (Note 1)	V <sub>CNTL</sub>	3.1 ~ 6	V
V <sub>IN</sub> Supply Voltage (Note 2)	V <sub>IN</sub>	1.2 ~ 3.5	V
V <sub>REF</sub> Input Voltage	V <sub>REF</sub>	0.85 ~ 1.75	V
V <sub>OUT</sub> Output Voltage (Note 3)	V <sub>OUT</sub>	V <sub>REF</sub> ± 0.02	V
V <sub>OUT</sub> Output Current (Note 4,5)	I <sub>OUT</sub>	-3 ~ +3	A
Junction Temperature	T <sub>J</sub>	0 ~ +125	°C

Note: 1. Please always keep V<sub>CNTL</sub>-V<sub>OUT</sub>>1.9V for good regulation.

2. Please supply enough voltage to V<sub>IN</sub> for sourcing desired maximum output current. Please refer to the V<sub>IN</sub> Dropout Voltage vs. Output Current in the Typical Characteristics.
3. The V<sub>OUT</sub> is regulated to the V<sub>REF</sub> with additional voltage offset and load regulation except over-load conditions.
4. The symbol "+" means the V<sub>OUT</sub> sources current to load; the symbol "-" means the V<sub>OUT</sub> sinks current to GND.
5. The max. I<sub>OUT</sub> varies with the T<sub>J</sub> and the voltages of V<sub>IN</sub>-V<sub>OUT</sub> and V<sub>OUT</sub>. Please refer to the Typical Characteristics.

### ■ THERMAL DATA

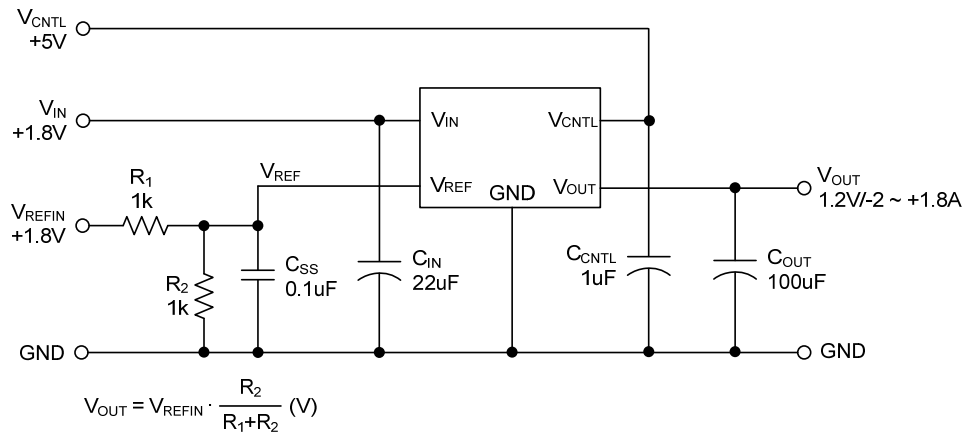
PARAMETER	SYMBOL	RATINGS	UNIT
Thermal Resistance	θ <sub>JA</sub>	160	°C/W
		80	
		80	
		50	

- ELECTRICAL CHARACTERISTICS ( $T_J=25^\circ\text{C}$ ,  $V_{\text{CNTL}}=3.3\text{V}$ ,  $V_{\text{IN}}=2.5\text{V}/1.8\text{V}$ ,  $V_{\text{REF}}=0.5V_{\text{IN}}$ , unless otherwise specified)

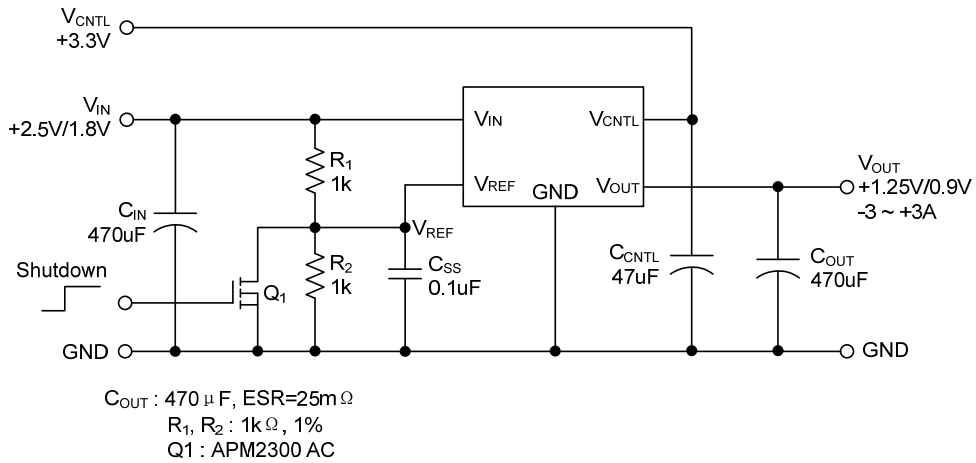
PARAMETER	SYMBOL	TEST CONDITIONS	MIN	TYP	MAX	UNIT
Output Voltage	$V_{\text{OUT}}$	$I_{\text{OUT}}=0\text{A}$		$V_{\text{REF}}$		V
System Accuracy		Over temperature, $V_{\text{OUT}}$ offset, and load regulation	-20		20	mV
Offset Voltage ( $V_{\text{OUT}}-V_{\text{REF}}$ )	$V_{\text{O(OFF)}}$	$I_{\text{OUT}}=+10\text{mA}$	-20			mV
		$I_{\text{OUT}}=-10\text{mA}$			20	
Load Regulation	$\Delta V_{\text{OUT}}$	$I_{\text{OUT}}=+10\text{mA} \sim +3\text{A}$			2	%
		$I_{\text{OUT}}=-10\text{mA} \sim -3\text{A}$			2	
Current Limit	$I_{\text{LIMIT}}$	Sourcing Current ( $V_{\text{IN}}=2.5\text{V}$ )	$T_J=25^\circ\text{C}$	+3	+3.6	A
			$T_J=125^\circ\text{C}$		+3.1	
		Sinking Current ( $V_{\text{IN}}=2.5\text{V}$ )	$T_J=25^\circ\text{C}$	-3	-3.6	
			$T_J=125^\circ\text{C}$		-3.1	
		Sourcing Current ( $V_{\text{IN}}=1.8\text{V}$ )	$T_J=25^\circ\text{C}$	+2.9	+3.2	
			$T_J=125^\circ\text{C}$		+2.6	
Sinking Current ( $V_{\text{IN}}=1.8\text{V}$ )	$T_J=25^\circ\text{C}$	-2.9	-3.2			
	$T_J=125^\circ\text{C}$		-2.6			
Thermal Shutdown Temperature	$T_{\text{SHDN}}$	Rising $T_J$		183		$^\circ\text{C}$
Thermal Shutdown Hysteresis	$T_{\text{HYS}}$			42		$^\circ\text{C}$
$V_{\text{CNTL}}$ Supply Current	$I_{\text{CNTL}}$	$I_{\text{OUT}}=0\text{A}$	1	2	3	mA
		$I_{\text{OUT}}=\pm 3\text{A}$ (Normal Operation)		50	110	
		$V_{\text{REF}}=\text{GND}$ (Shutdown)		2.0		
$V_{\text{REF}}$ Bias Current (The current flows out of $V_{\text{REF}}$ )	$I_{\text{BIAS}}$	$V_{\text{REF}}=1.25\text{V}/0.9\text{V}$ (Normal Operation)		200	500	nA
		$V_{\text{REF}}=\text{GND}$ (Shutdown)		20	40	$\mu\text{A}$
Shutdown Threshold Voltage	$V_{\text{SHDN}}$		0.2	0.35	0.65	V

## ■ APPLICATIONS CIRCUIT

### 1. General Application

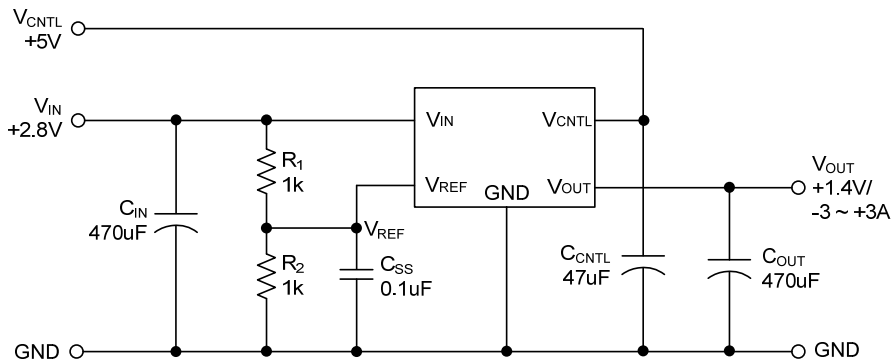


### 2. For V<sub>OUT</sub>=1.25V/0.9V



Note : Since R1 and R2 are very small, the voltage offset caused by the bias current of V<sub>REF</sub> can be ignore.

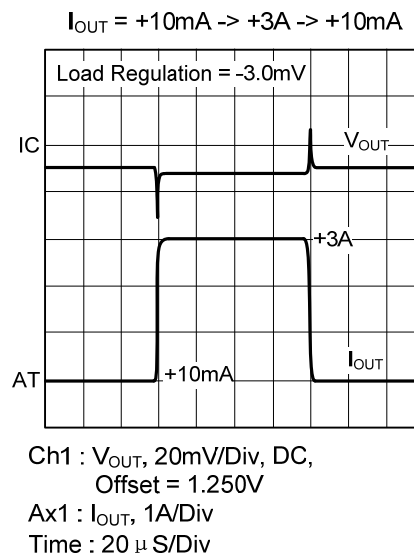
### 3. For V<sub>OUT</sub>=1.4V



## ■ OPERATING WAVEFORMS

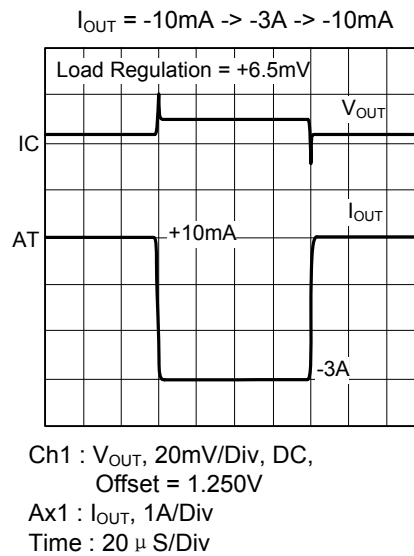
### 1. Load Transient Response: $I_{OUT} = +10mA \rightarrow +3A \rightarrow +10mA$

- $V_{IN} = 2.5V$ ,  $V_{CNTL} = 3.3V$
- $V_{REF}$  is 1.250V supplied by a regulator
- $C_{OUT} = 470\mu F/10V$ ,  $ESR = 30m\Omega$
- $I_{OUT}$  slew rate =  $\pm 3A/\mu S$



### 2. Load Transient Response: $I_{OUT} = -10mA \rightarrow -3A \rightarrow -10mA$

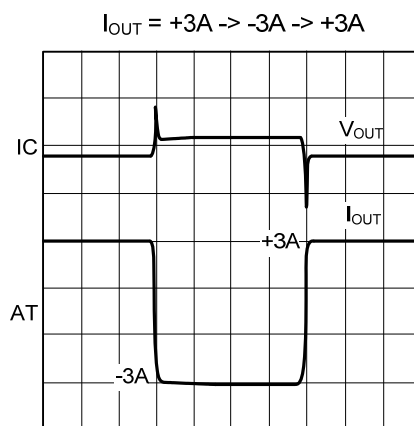
- $V_{IN} = 2.5V$ ,  $V_{CNTL} = 3.3V$
- $V_{REF}$  is 1.250V supplied by a regulator
- $C_{OUT} = 470\mu F/10V$ ,  $ESR = 30m\Omega$
- $I_{OUT}$  slew rate =  $\pm 3A/\mu S$



## OPERATING WAVEFORMS(Cont.)

### 3. Load Transient Response: $I_{OUT} = +3A \rightarrow -3A \rightarrow +3A$

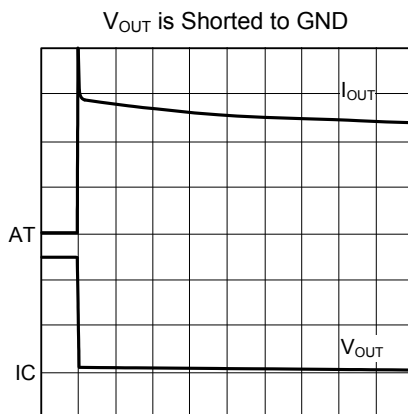
- $V_{IN} = 2.5V$ ,  $V_{CNTL} = 3.3V$
- $V_{REF}$  is 1.250V supplied by a regulator
- $C_{OUT} = 470\mu F/10V$ ,  $ESR = 30m\Omega$
- $I_{OUT}$  slew rate =  $\pm 3A/\mu S$



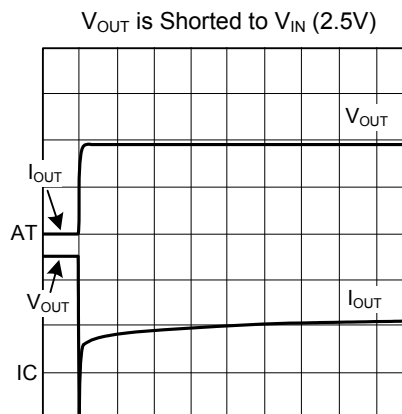
Ch1 :  $V_{OUT}$ , 50mV/Div, DC,  
Offset = 1.250V  
Ax1 :  $I_{OUT}$ , 2A/Div  
Time : 20  $\mu$  S/Div

### 4. Short-Circuit Test

- $V_{IN} = 2.5V$ ,  $V_{CNTL} = 3.3V$



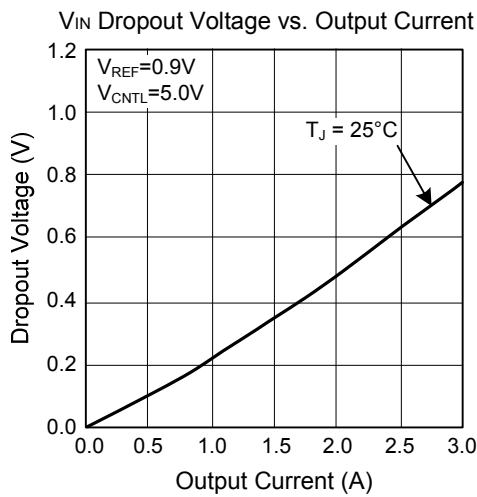
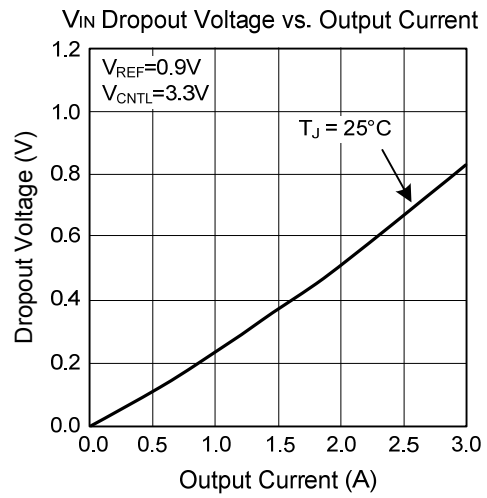
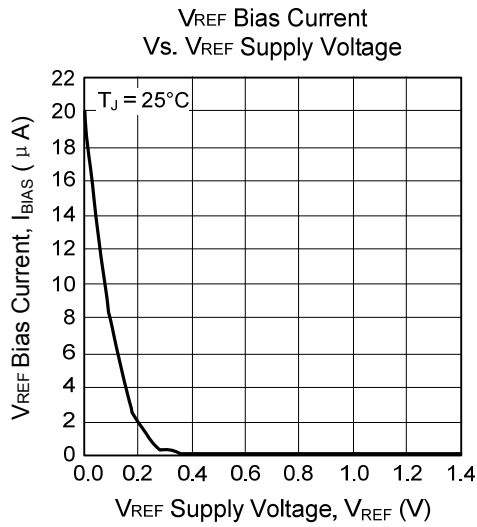
Ch1 :  $V_{OUT}$ , 500mV/Div, DC,  
Offset = 1.250V  
Ax1 :  $I_{OUT}$ , 2A/Div  
Time : 5mS/Div



Ch1 :  $V_{OUT}$ , 500mV/Div, DC,  
Offset = 1.250V  
Ax1 :  $I_{OUT}$ , 2A/Div  
Time : 5mS/Div



## ■ TYPICAL CHARACTERISTICS



UTC assumes no responsibility for equipment failures that result from using products at values that exceed, even momentarily, rated values (such as maximum ratings, operating condition ranges, or other parameters) listed in products specifications of any and all UTC products described or contained herein. UTC products are not designed for use in life support appliances, devices or systems where malfunction of these products can be reasonably expected to result in personal injury. Reproduction in whole or in part is prohibited without the prior written consent of the copyright owner. The information presented in this document does not form part of any quotation or contract, is believed to be accurate and reliable and may be changed without notice.