



UT71XX

CMOS IC

THREE-TERMINAL LOW POWER VOLTAGE REGULATORS

DESCRIPTION

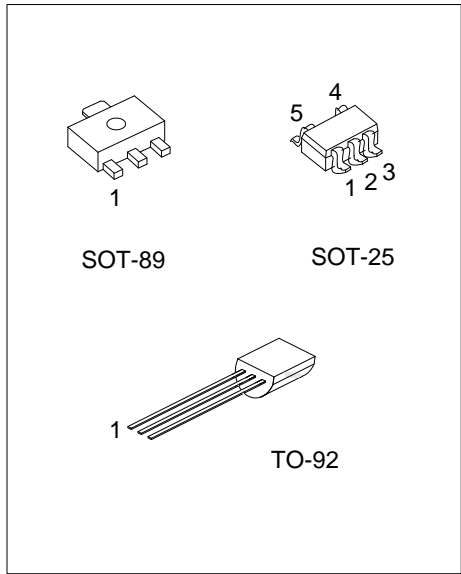
The UTC **UT71XX** series is a set of three- Terminal low power voltage regulators implemented in CMOS technology. They are available with several fixed output voltages ranging from 1.5V~7.0V. The advantage of CMOS technology is low voltage dropout and low quiescent current.

Although designed primarily as fixed voltage regulators, these devices can be used with external components to obtain variable voltages and currents.

FEATURES

- * Accurate output voltage range ($\pm 2.4\%$)
- * Low power consumption
- * Low voltage dropout
- * Wide operating voltage (24V Max.)

ORDERING INFORMATION



Ordering Number		Package	Pin Assignment					Packing
Lead free	Halogen Free		1	2	3	4	5	
UT71XXL-AB3-C-R	UT71XXG-AB3-C-R	SOT-89	G	I	O	-	-	Tape Reel
UT71XXL-AF5-B-R	UT71XXG-AF5-B-R	SOT-25	G	I	O	N	N	Tape Reel
UT71XXL-T92-B-B	UT71XXG-T92-B-B	TO-92	O	G	I	-	-	Tape Box
UT71XXL-T92-B-K	UT71XXG-T92-B-K	TO-92	O	G	I	-	-	Bulk
UT71XXL-T92-C-B	UT71XXG-T92-C-B	TO-92	G	I	O	-	-	Tape Box
UT71XXL-T92-C-K	UT71XXG-T92-C-K	TO-92	G	I	O	-	-	Bulk

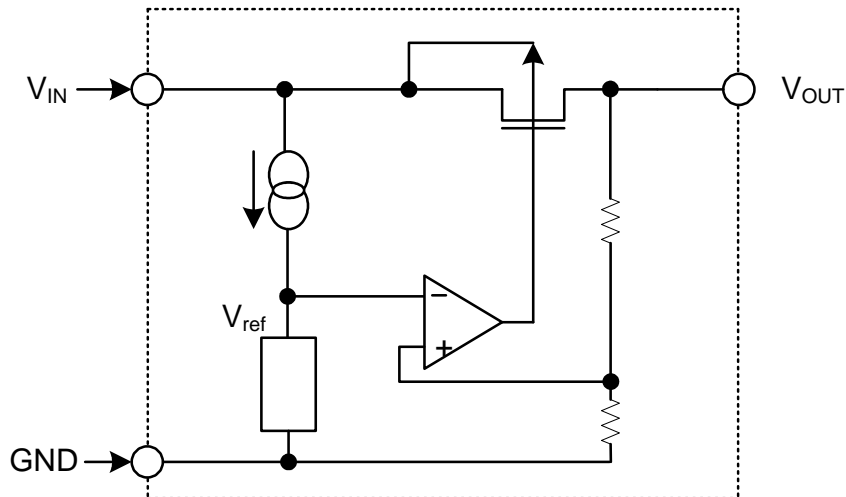
Note: Pin assignment: I: V_{IN} O: V_{OUT} G: Ground

<p>UT71xxG-AB3-C-R</p>	<p>(1) B: Tape Box, K: Bulk, R: Tape Reel</p> <p>(2) refer to Pin Assignment</p> <p>(3) AB3: SOT-89, AF5: SOT-25, T92: TO-92</p> <p>(4) G: Halogen Free and Lead Free, L: Lead Free</p> <p>(5) xx: refer to Marking Information</p>
------------------------	---

MARKING INFORMATION

PACKAGE	VOLTAGE CODE	MARKING
SOT-89		
SOT-25	15:1.5V 18:1.8V 20:2.0V 25:2.5V 27:2.7V 28:2.8V 30:3.0V 33:3.3V 36:3.6V 44:4.4V 45:4.5V 50:5.0V 70:7.0V	
TO-92		

BLOCK DIAGRAM



■ ABSOLUTE MAXIMUM RATINGS

PARAMETER	SYMBOL	RATINGS	UNIT
Supply Voltage	V_{CC}	-0.3 ~ +24	V
Power Dissipation	SOT-89/TO-92	250	mW
	SOT-25	200	
Operating Temperature	T_{OPR}	-40 ~ +85	°C
Storage Temperature	T_{STG}	-40 ~ +125	°C

Note: Absolute maximum ratings are those values beyond which the device could be permanently damaged. Absolute maximum ratings are stress ratings only and functional device operation is not implied.

■ ELECTRICAL CHARACTERISTICS ($T_A=25^\circ\text{C}$, unless otherwise specified)

For UT7115

PARAMETER	SYMBOL	TEST CONDITIONS	MIN	TYP	MAX	UNIT
Output Voltage	V_{OUT}	$V_{IN}=3.5\text{V}, I_{OUT}=10\text{mA}$	1.464	1.5	1.536	V
Input Voltage	V_{IN}				24	V
Load Regulation	ΔV_{OUT}	$V_{IN}=3.5\text{V}, 1\text{mA} \leq I_{OUT} \leq 20\text{mA}$		60	100	mV
Voltage Dropout	V_D	$I_{OUT}=1\text{mA}$		60		mV
Output Current	I_{OUT}	$V_{IN}=3.5\text{V}$	20	30		mA
Current Consumption	I_{SS}	$V_{IN}=3.5\text{V}$, No load		7	16	μA
Line Regulation	$\frac{\Delta V_{OUT}}{\Delta V_{IN} \times V_{OUT}}$	$2.5\text{V} \leq V_{IN} \leq 24\text{V}, I_{OUT}=0.5\text{mA}$		0.2		%/V

For UT7118

PARAMETER	SYMBOL	TEST CONDITIONS	MIN	TYP	MAX	UNIT
Output Voltage	V_{OUT}	$V_{IN}=3.8\text{V}, I_{OUT}=10\text{mA}$	1.757	1.8	1.843	V
Input Voltage	V_{IN}				24	V
Load Regulation	ΔV_{OUT}	$V_{IN}=3.8\text{V}, 1\text{mA} \leq I_{OUT} \leq 20\text{mA}$		60	100	mV
Voltage Dropout	V_D	$I_{OUT}=1\text{mA}$		60		mV
Output Current	I_{OUT}	$V_{IN}=3.8\text{V}$	20	30		mA
Current Consumption	I_{SS}	$V_{IN}=3.8\text{V}$, No load		7	16	μA
Line Regulation	$\frac{\Delta V_{OUT}}{\Delta V_{IN} \times V_{OUT}}$	$2.8\text{V} \leq V_{IN} \leq 24\text{V}, I_{OUT}=0.5\text{mA}$		0.2		%/V

For UT7120

PARAMETER	SYMBOL	TEST CONDITIONS	MIN	TYP	MAX	UNIT
Output Voltage	V_{OUT}	$V_{IN}=4\text{V}, I_{OUT}=10\text{mA}$	1.952	2.0	2.048	V
Input Voltage	V_{IN}				24	V
Load Regulation	ΔV_{OUT}	$V_{IN}=4\text{V}, 1\text{mA} \leq I_{OUT} \leq 20\text{mA}$		60	100	mV
Voltage Dropout	V_D	$I_{OUT}=1\text{mA}$		60		mV
Output Current	I_{OUT}	$V_{IN}=4\text{V}$	20	30		mA
Current Consumption	I_{SS}	$V_{IN}=4\text{V}$, No load		7	16	μA
Line Regulation	$\frac{\Delta V_{OUT}}{\Delta V_{IN} \times V_{OUT}}$	$3\text{V} \leq V_{IN} \leq 24\text{V}, I_{OUT}=0.5\text{mA}$		0.2		%/V

For UT7125

PARAMETER	SYMBOL	TEST CONDITIONS	MIN	TYP	MAX	UNIT
Output Voltage	V_{OUT}	$V_{IN}=4.5\text{V}, I_{OUT}=10\text{mA}$	2.440	2.5	2.560	V
Input Voltage	V_{IN}				24	V
Load Regulation	ΔV_{OUT}	$V_{IN}=4.5\text{V}, 1\text{mA} \leq I_{OUT} \leq 20\text{mA}$		60	100	mV
Voltage Dropout	V_D	$I_{OUT}=1\text{mA}$		60		mV
Output Current	I_{OUT}	$V_{IN}=4.5\text{V}$	20	30		mA
Current Consumption	I_{SS}	$V_{IN}=4.5\text{V}$, No load		7	16	μA
Line Regulation	$\frac{\Delta V_{OUT}}{\Delta V_{IN} \times V_{OUT}}$	$3.5\text{V} \leq V_{IN} \leq 24\text{V}, I_{OUT}=0.5\text{mA}$		0.2		%/V

■ ELECTRICAL CHARACTERISTICS(Cont.)

For UT7127

PARAMETER	SYMBOL	TEST CONDITIONS	MIN	TYP	MAX	UNIT
Output Voltage	V_{OUT}	$V_{IN}=4.7V, I_{OUT}=10mA$	2.635	2.7	2.765	V
Input Voltage	V_{IN}				24	V
Load Regulation	ΔV_{OUT}	$V_{IN}=4.7V, 1mA \leq I_{OUT} \leq 20mA$		60	100	mV
Voltage Dropout	V_D	$I_{OUT}=1mA$		60		mV
Output Current	I_{OUT}	$V_{IN}=4.7V$	20	30		mA
Current Consumption	I_{SS}	$V_{IN}=4.7V, \text{No load}$		7	16	μA
Line Regulation	$\frac{\Delta V_{OUT}}{\Delta V_{IN} \times V_{OUT}}$	$3.7V \leq V_{IN} \leq 24V, I_{OUT}=0.5mA$		0.2		%/V

For UT7128

PARAMETER	SYMBOL	TEST CONDITIONS	MIN	TYP	MAX	UNIT
Output Voltage	V_{OUT}	$V_{IN}=4.8V, I_{OUT}=10mA$	2.732	2.8	2.867	V
Input Voltage	V_{IN}				24	V
Load Regulation	ΔV_{OUT}	$V_{IN}=4.8V, 1mA \leq I_{OUT} \leq 20mA$		60	100	mV
Voltage Dropout	V_D	$I_{OUT}=1mA$		60		mV
Output Current	I_{OUT}	$V_{IN}=4.8V$	20	30	-	mA
Current Consumption	I_{SS}	$V_{IN}=4.8V, \text{No load}$		7	16	μA
Line Regulation	$\frac{\Delta V_{OUT}}{\Delta V_{IN} \times V_{OUT}}$	$3.8V \leq V_{IN} \leq 24V, I_{OUT}=1mA$		0.2		%/V

For UT7130

PARAMETER	SYMBOL	TEST CONDITIONS	MIN	TYP	MAX	UNIT
Output Voltage	V_{OUT}	$V_{IN}=5V, I_{OUT}=10mA$	2.928	3.0	3.072	V
Input Voltage	V_{IN}				24	V
Load Regulation	ΔV_{OUT}	$V_{IN}=5V, 1mA \leq I_{OUT} \leq 20mA$		60	100	mV
Voltage Dropout	V_D	$I_{OUT}=1mA$		60		mV
Output Current	I_{OUT}	$V_{IN}=5V$	20	30	-	mA
Current Consumption	I_{SS}	$V_{IN}=5V, \text{No load}$		7	16	μA
Line Regulation	$\frac{\Delta V_{OUT}}{\Delta V_{IN} \times V_{OUT}}$	$4V \leq V_{IN} \leq 24V, I_{OUT}=1mA$		0.2		%/V

For UT7133

PARAMETER	SYMBOL	TEST CONDITIONS	MIN	TYP	MAX	UNIT
Output Voltage	V_{OUT}	$V_{IN}=5.5V, I_{OUT}=10mA$	3.220	3.3	3.379	V
Input Voltage	V_{IN}				24	V
Load Regulation	ΔV_{OUT}	$V_{IN}=5.5V, 1mA \leq I_{OUT} \leq 30mA$		60	100	mV
Voltage Dropout	V_D	$I_{OUT}=1mA$		60		mV
Output Current	I_{OUT}	$V_{IN}=5.5V$	20	30		mA
Current Consumption	I_{SS}	$V_{IN}=5.5V, \text{No load}$		7	16	μA
Line Regulation	$\frac{\Delta V_{OUT}}{\Delta V_{IN} \times V_{OUT}}$	$4.5V \leq V_{IN} \leq 24V, I_{OUT}=1mA$		0.2		%/V

For UT7136

PARAMETER	SYMBOL	TEST CONDITIONS	MIN	TYP	MAX	UNIT
Output Voltage	V_{OUT}	$V_{IN}=5.6V, I_{OUT}=10mA$	3.513	3.6	3.686	V
Input Voltage	V_{IN}				24	V
Load Regulation	ΔV_{OUT}	$V_{IN}=5.6V, 1mA \leq I_{OUT} \leq 30mA$		60	100	mV
Voltage Dropout	V_D	$I_{OUT}=1mA$		60		mV
Output Current	I_{OUT}	$V_{IN}=5.6V$	20	30		mA
Current Consumption	I_{SS}	$V_{IN}=5.6V, \text{No load}$		7	16	μA
Line Regulation	$\frac{\Delta V_{OUT}}{\Delta V_{IN} \times V_{OUT}}$	$4.6V \leq V_{IN} \leq 24V, I_{OUT}=1mA$		0.2		%/V

■ ELECTRICAL CHARACTERISTICS(Cont.)

For UT7144

PARAMETER	SYMBOL	TEST CONDITIONS	MIN	TYP	MAX	UNIT
Output Voltage	V_{OUT}	$V_{IN}=6.4V, I_{OUT}=10mA$	4.294	4.4	4.505	V
Input Voltage	V_{IN}				24	V
Load Regulation	ΔV_{OUT}	$V_{IN}=6.4V, 1mA \leq I_{OUT} \leq 30mA$		60	100	mV
Voltage Dropout	V_D	$I_{OUT}=1mA$		60		mV
Output Current	I_{OUT}	$V_{IN}=6.4V$	20	30		mA
Current Consumption	I_{SS}	$V_{IN}=6.4V, \text{No load}$		7	16	μA
Line Regulation	$\frac{\Delta V_{OUT}}{\Delta V_{IN} \times V_{OUT}}$	$5.4V \leq V_{IN} \leq 24V, I_{OUT}=1mA$		0.2		%/V

For UT7145

PARAMETER	SYMBOL	TEST CONDITIONS	MIN	TYP	MAX	UNIT
Output Voltage	V_{OUT}	$V_{IN}=6.5V, I_{OUT}=10mA$	4.392	4.5	4.608	V
Input Voltage	V_{IN}				24	V
Load Regulation	ΔV_{OUT}	$V_{IN}=6.5V, 1mA \leq I_{OUT} \leq 30mA$		60	100	mV
Voltage Dropout	V_D	$I_{OUT}=1mA$		60		mV
Output Current	I_{OUT}	$V_{IN}=6.5V$	20	30		mA
Current Consumption	I_{SS}	$V_{IN}=6.5V, \text{No load}$		7	16	μA
Line Regulation	$\frac{\Delta V_{OUT}}{\Delta V_{IN} \times V_{OUT}}$	$5.5V \leq V_{IN} \leq 24V, I_{OUT}=1mA$		0.2		%/V

For UT7150

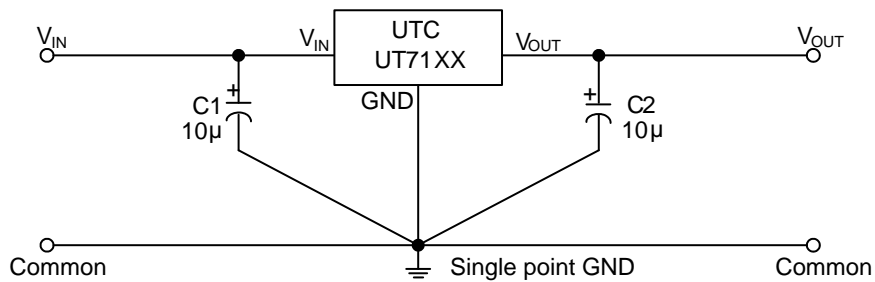
PARAMETER	SYMBOL	TEST CONDITIONS	MIN	TYP	MAX	UNIT
Output Voltage	V_{OUT}	$V_{IN}=7V, I_{OUT}=10mA$	4.88	5.0	5.12	V
Input Voltage	V_{IN}				24	V
Load Regulation	ΔV_{OUT}	$V_{IN}=7V, 1mA \leq I_{OUT} \leq 30mA$		60	100	mV
Voltage Dropout	V_D	$I_{OUT}=1mA$		60		mV
Output Current	I_{OUT}	$V_{IN}=7V$	20	30		mA
Current Consumption	I_{SS}	$V_{IN}=7V, \text{No load}$		7	16	μA
Line Regulation	$\frac{\Delta V_{OUT}}{\Delta V_{IN} \times V_{OUT}}$	$6V \leq V_{IN} \leq 24V, I_{OUT}=1mA$		0.2		%/V

For UT7170

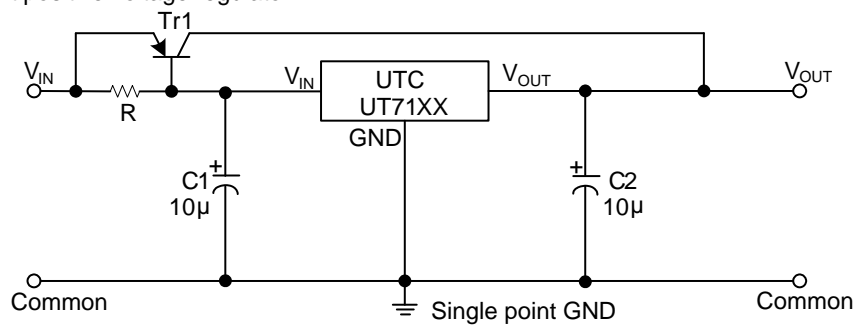
PARAMETER	SYMBOL	TEST CONDITIONS	MIN	TYP	MAX	UNIT
Output Voltage	V_{OUT}	$V_{IN}=9V, I_{OUT}=10mA$	6.832	7.0	7.168	V
Input Voltage	V_{IN}				24	V
Load Regulation	ΔV_{OUT}	$V_{IN}=9V, 1mA \leq I_{OUT} \leq 30mA$		60	100	mV
Voltage Dropout	V_D	$I_{OUT}=1mA$		60		mV
Output Current	I_{OUT}	$V_{IN}=9V$	20	30		mA
Current Consumption	I_{SS}	$V_{IN}=9V, \text{No load}$		7	16	μA
Line Regulation	$\frac{\Delta V_{OUT}}{\Delta V_{IN} \times V_{OUT}}$	$8V \leq V_{IN} \leq 24V, I_{OUT}=1mA$		0.2		%/V

■ TYPICAL APPLICATION CIRCUIT

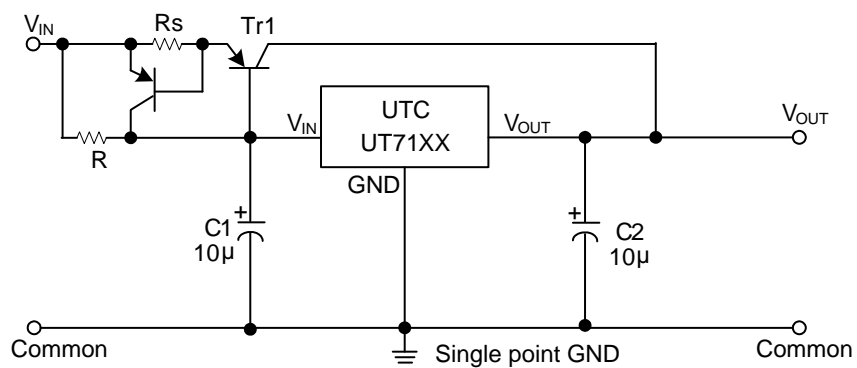
The basic circuits using the UTC UT71XX series



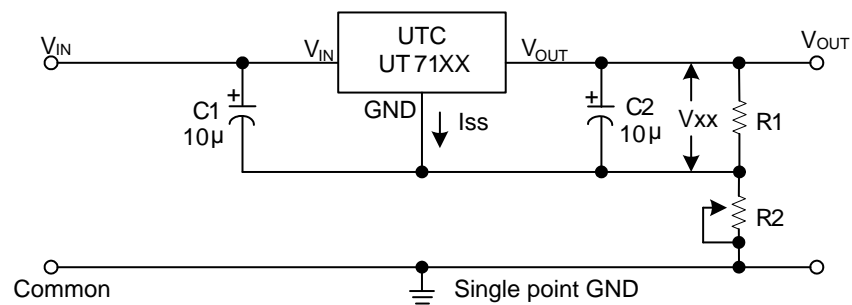
High output current positive voltage regulator



Short-circuit protection for Tr1



Circuit for increasing output voltage

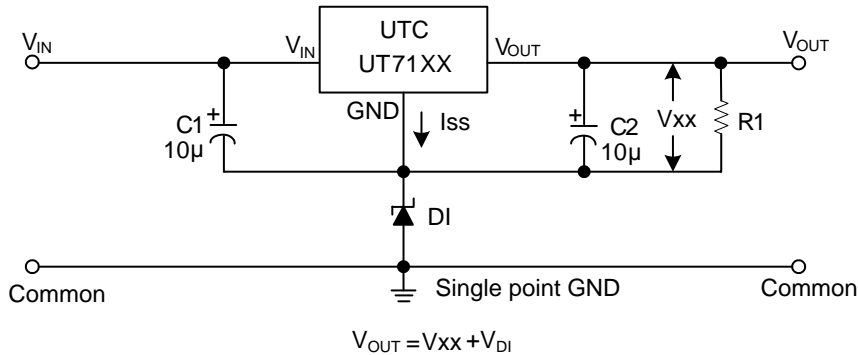


$$V_{OUT} = V_{XX} \left(1 + \frac{R_2}{R_1}\right) + I_{SS} R_2$$

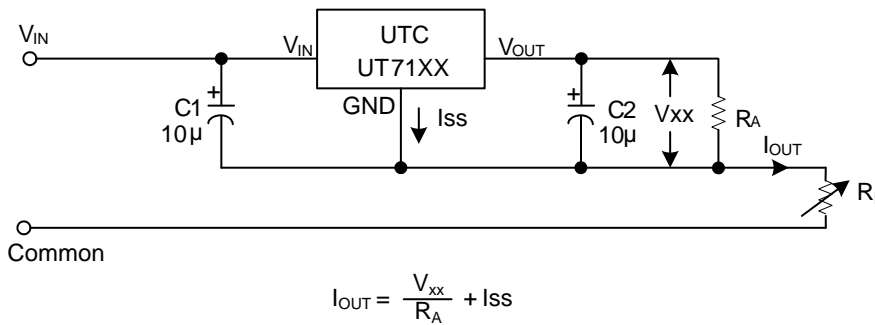
$$\approx V_{XX} \left(1 + \frac{R_2}{R_1}\right)$$

■ TYPICAL APPLICATION CIRCUIT (cont.)

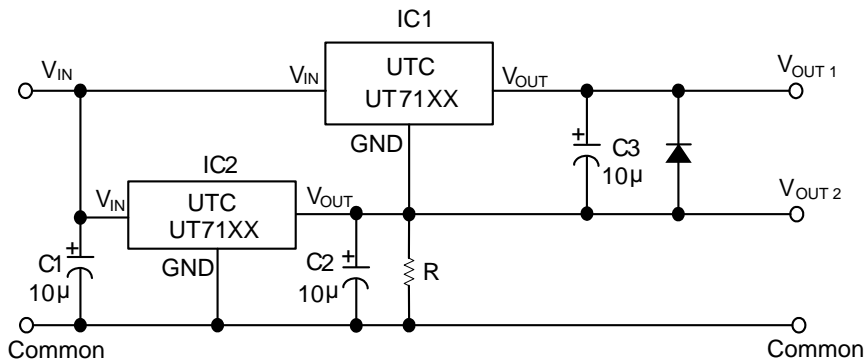
Circuit for increasing output voltage



Constant current regulator



Dual supply



UTC assumes no responsibility for equipment failures that result from using products at values that exceed, even momentarily, rated values (such as maximum ratings, operating condition ranges, or other parameters) listed in products specifications of any and all UTC products described or contained herein. UTC products are not designed for use in life support appliances, devices or systems where malfunction of these products can be reasonably expected to result in personal injury. Reproduction in whole or in part is prohibited without the prior written consent of the copyright owner. UTC reserves the right to make changes to information published in this document, including without limitation specifications and product descriptions, at any time and without notice. This document supersedes and replaces all information supplied prior to the publication hereof.