



UTRS3085

Preliminary

CMOS IC

FAIL-SAFE, 2.5MBPS, RS-485 / RS-422 TRANSCEIVERS WITH $\pm 12KV$ ESD-PROTECTED

DESCRIPTION

The UTC **UTRS3085** high-speed transceivers for RS-485/RS-422 communication contain one driver and one receiver. The device features fail-safe circuitry, which guarantees a logic-high receiver output when the receiver inputs are open or shorted. This means that the receiver output will be logic high if all transmitters on a terminated bus are disabled (high impedance). The UTC **UTRS3085** offer higher driver output slew-rate limits, allowing transmission up to 2.5Mbps.

The transceiver typically draws 375 μ A of supply current when unloaded or when fully loaded with the drivers disabled.

A device has a 1/8-unit-load receiver input impedance that allows up to 256 transceivers on the bus.

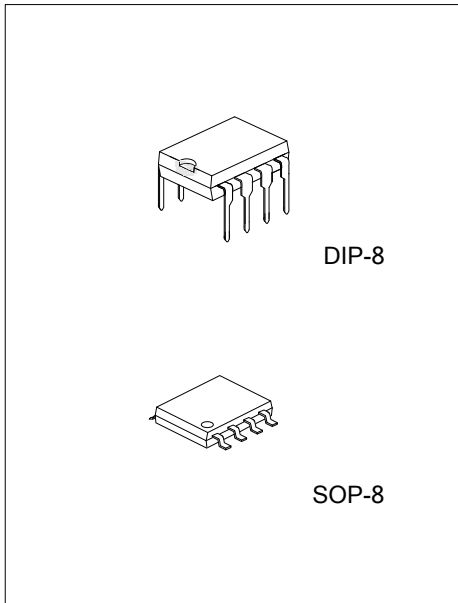
FEATURES

- * True fail-safe receiver while maintaining EIA/TIA-485 compatibility.
- * Enhanced slew-rate limiting facilitates Error-Free data transmission.
- * 5.0V single power supply.
- * 1 μ A low-current shutdown mode.
- * Allow up to 256 transceivers on the Bus.
- * HBM $\pm 12kV$ ESD-protected.
- * Driver short circuit current limit.
- * Thermal shutdown for overload protection.

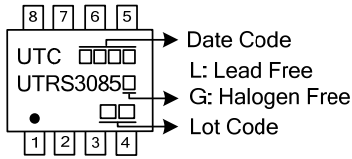
ORDERING INFORMATION

Ordering Number		Package	Packing
Lead Free	Halogen Free		
UTRS3085L-D08-T	UTRS3085G-D08-T	DIP-8	Tube
UTRS3085L-S08-R	UTRS3085G-S08-R	SOP-8	Tape Reel

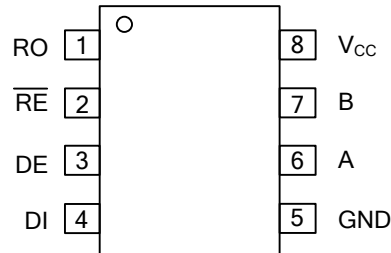
<p>UTRS3085G-D08-T</p>	<p>(1) T: Tube, R: Tape Reel (2) D08: DIP-8, S08: SOP-8 (3) G: Halogen Free and Lead Free, L: Lead Free</p>
------------------------	---



MARKING



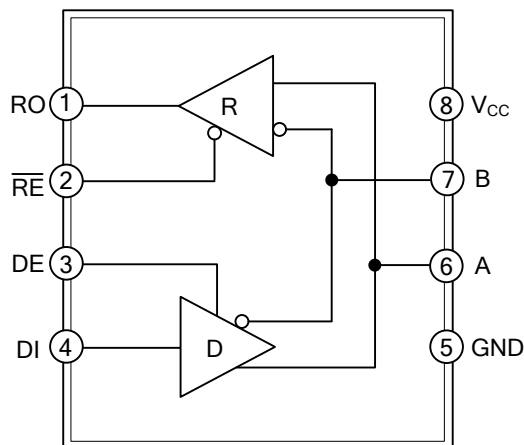
PIN CONFIGURATION



PIN DESCRIPTION

PIN NO.	PIN NAME	DESCRIPTION
1	RO	Receiver output.
2	\overline{RE}	Receiver output enable. Drive \overline{RE} low to enable RO; RO is high impedance when \overline{RE} is high. Drive \overline{RE} high and DE low to enter low-power shutdown mode.
3	DE	Driver output enable. Drive DE high to enable driver outputs. These outputs are high impedance when DE is low. Drive \overline{RE} high and DE low to enter low-power shutdown mode.
4	DI	Driver input. With DE high, a low on DI forces non-inverting output low and inverting output high. Similarly, a high on DI forces non-inverting output high and inverting output low.
5	GND	Ground
6	A	Non-inverting receiver input and non-inverting driver output
7	B	Inverting receiver input and inverting driver output
8	V_{CC}	Positive supply, $4.75V \leq V_{CC} \leq 5.25V$

BLOCK DIAGRAM



■ ABSOLUTE MAXIMUM RATING

PARAMETER		SYMBOL	RATINGS	UNIT
Supply Voltage		V_{CC}	+7.0	V
Control Input Voltage (\overline{RE} , DE)			-0.3 ~ ($V_{CC}+0.3$)	V
Driver Input Voltage		DI	-0.3 ~ ($V_{CC}+0.3$)	V
Receiver Input Voltage (A, B)			± 12.5	V
Receiver Output Voltage (RO)			-0.3 ~ ($V_{CC}+0.3$)	V
Continuous Power Dissipation (Derate 5.88mW/°C above +70°C)	DIP-8	P_D	550	mW
	SOP-8		471	mW
Operating Temperature Ranges		T_{OPR}	-40 ~ +85	°C
Storage Temperature Range		T_{STG}	-65 ~ +150	°C

Note: Absolute maximum ratings are only stress ratings and it is not implied for functional device operation. Absolute maximum ratings are the values beyond which the device will be damaged permanently.

■ DC ELECTRICAL CHARACTERISTICS

($V_{CC}=+5.0V \pm 5\%$, $T_A=T_{MIN}$ to T_{MAX} , unless otherwise noted. Typical values are at $V_{CC}=+5.0V$ and $T_A=+25^\circ C$) (Note 1)

PARAMETER	SYMBOL	TEST CONDITIONS	MIN	TYP	MAX	UNIT
DRIVER						
Differential Driver Output (No Load)	V_{OD1}	Fig.1			5.0	V
Differential Driver Output	V_{OD2}	Fig.1, R=50Ω (RS-422)	1.8			V
		Fig.1, R=27Ω (RS-485)	1.4			V
Change in Magnitude of Differential Output Voltage (Note 2)	ΔV_{OD}	Fig.1, R=50Ω or R=27Ω			0.2	V
Driver Common-Mode Output Voltage	V_{OC}	Fig.1, R=50Ω or R=27Ω			3.0	V
Change In Magnitude of Common-Mode Voltage (Note 2)	ΔV_{OC}	Fig.1, R=50Ω or R=27Ω			0.2	V
Input High Voltage	V_{IH1}	DE, DI, \overline{RE}	2.0			V
Input Low Voltage	V_{IL1}	DE, DI, \overline{RE}			0.8	V
DI Input Hysteresis	V_{HYS}			100		mV
Input Current	I_{IN1}	DE, DI, \overline{RE}			± 2.0	μA
Input Current (A and B)	I_{IN2}	DE=GND, $V_{CC}=GND$ or 5.25V	$V_{IN}=12V$		125	μA
			$V_{IN}=-7V$		-75	μA
Driver Short-Circuit Output Current (Note 4)	V_{OD1}	$-7V \leq V_{OUT} \leq V_{CC}$	-250			mA
		$0V \leq V_{OUT} \leq 12V$			250	mA
		$0V \leq V_{OUT} \leq V_{CC}$	± 25			mA
RECEIVER						
Receiver Differential Threshold Voltage	V_{TH}	$V_{CM}=+2.5V$	-200		-20	mV
Receiver Input Hysteresis	ΔV_{TH}			25		mV
Receiver Output High Voltage	V_{OH}	$I_O=-4mA$, $V_{ID}=-20mV$	$V_{CC}-1.5$			V
Receiver Output Low Voltage	V_{OL}	$I_O=4mA$, $V_{ID}=-200mV$			0.4	V
Three-State Output Current at Receiver	I_{OZR}	$0.4V \leq V_O \leq 2.4V$			± 1.0	μA
Receiver Input Resistance	R_{IN}	$-7V \leq V_{CM} \leq +12V$	96			kΩ
Receiver Output Short-Circuit Current	I_{OSR}	$0V \leq V_{RO} \leq V_{CC}$	± 7		± 95	mA

DC ELECTRICAL CHARACTERISTICS (Cont.)

PARAMETER	SYMBOL	TEST CONDITIONS	MIN	TYP	MAX	UNIT	
SUPPLY CURRENT							
Supply Current	I_{CC}	No Load, $\overline{RE} = DI = V_{CC}$ or GND	$DE = V_{CC}$		430	900	μA
			$DE = GND$		375	600	μA
Supply Current in Shutdown Mode	I_{SHDN}	$DE = GND, V_{\overline{RE}} = V_{CC}$		1.0	10	μA	

Notes: 1. All currents into the device are positive; all currents out of the device are negative. All voltages are referred to device ground unless otherwise noted.

2. ΔV_{OD} and ΔV_{OC} are the changes in V_{OD} and V_{OC} , respectively, when the DI input changes state.

3. Maximum current level applies to peak current just prior to foldback-current limiting; minimum current level applies during current limiting.

■ SWITCHING CHARACTERISTICS

($V_{CC} = +5.0V \pm 5\%$, $T_A = T_{MIN}$ to T_{MAX} , unless otherwise noted. Typical values are at $V_{CC} = +5.0V$ and $T_A = +25^\circ C$)

PARAMETER	SYMBOL	TEST CONDITIONS	MIN	TYP	MAX	UNIT
Driver Input to Output	t_{DPLH}	Fig.3 and 5, $R_{DIFF} = 54\Omega$, $C_{L1} = C_{L2} = 100pF$		100		ns
	t_{DPLH}			100		ns
Driver Output Skew $ t_{DPLH} - t_{DPLH} $	t_{DSKEW}	Fig.3 and 5, $R_{DIFF} = 54\Omega$, $C_{L1} = C_{L2} = 100pF$		5	200	ns
Driver Rise or Fall Time	t_{DR}, t_{DF}	Fig.3 and 5, $R_{DIFF} = 54\Omega$, $C_{L1} = C_{L2} = 100pF$		200		ns
Maximum Data Rate	f_{MAX}		2.5			Mbps
Driver Enable to Output High	t_{DZH}	Fig.4 and 6, $C_L = 100pF$, S2 Closed			3500	ns
Driver Enable to Output Low	t_{DZL}	Fig.4 and 6, $C_L = 100pF$, S1 Closed			3500	ns
Driver Disable Time from Low	t_{DLZ}	Fig.4 and 6, $C_L = 15pF$, S1 Closed			200	ns
Driver Disable Time from High	t_{DHZ}	Fig.4 and 6, $C_L = 15pF$, S2 Closed			200	ns
Receiver Input to Output	t_{RPLH}, t_{RPHL}	Fig.7 and 9, $ V_{ID} \geq 2.0V$; Rise and Fall Time of $V_{ID} \leq 15ns$		200		ns
$ t_{RPLH} - t_{RPHL} $ Differential Receiver Skew	t_{RSKD}	Fig.7 and 9, $ V_{ID} \geq 2.0V$; Rise and Fall Time of $V_{ID} \leq 15ns$		50		ns
Receiver Enable to Output Low	t_{RZL}	Fig.2 and 8, $C_L = 100pF$, S1 Closed		50		ns
Receiver Enable to Output High	t_{RZH}	Fig.2 and 8, $C_L = 100pF$, S2 Closed		50		ns
Receiver Disable Time from Low	t_{RLZ}	Fig.2 and 8, $C_L = 100pF$, S1 Closed		50		ns
Receiver Disable Time from High	t_{RHZ}	Fig.2 and 8, $C_L = 100pF$, S2 Closed		50		ns
Time to Shutdown	t_{SHDN}	Note 1		200		ns
Driver Enable from Shutdown to Output High	$t_{DZH(SHDN)}$	Fig.4 and 6, $C_L = 15pF$, S2 Closed			4500	ns
Driver Enable from Shutdown to Output Low	$t_{DZL(SHDN)}$	Fig.4 and 6, $C_L = 15pF$, S1 Closed			4500	ns
Receiver Enable from Shutdown to Output High	$t_{RZH(SHDN)}$	Fig.2 and 8, $C_L = 100pF$, S2 Closed			3500	ns
Receiver Enable from Shutdown to Output Low	$t_{RZL(SHDN)}$	Fig.2 and 8, $C_L = 100pF$, S1 Closed			3500	ns

Note: The device is put into shutdown by bringing \overline{RE} high and DE low. If the enable inputs are in this state for less than 50ns, the device is guaranteed not to enter shutdown. If the enable inputs are in this state for at least 600ns, the device is guaranteed to have entered shutdown.

■ FUNCTION TABLE

TRANSMITTING

INPUTS			OUTPUTS	
$\overline{\text{RE}}$	DE	DI	B	A
X	1	1	0	1
X	1	0	1	0
0	0	X	High-Z	High-Z
1	0	X	Shutdown	

RECEIVING

INPUTS			OUTPUT
$\overline{\text{RE}}$	DE	A-B	RO
0	X	$\geq -0.02\text{V}$	1
0	X	$\leq -0.2\text{V}$	0
0	X	Open/Shorted	1
1	1	X	High-Z
1	0	X	Shutdown

X = Don't care

Shutdown mode, driver and receiver outputs high impedance

■ TEST CIRCUIT

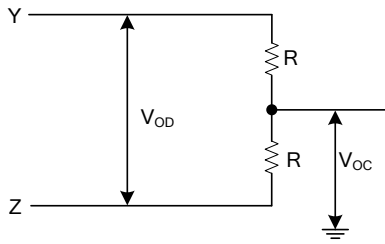


Fig. 1 Driver DC Test Circuit

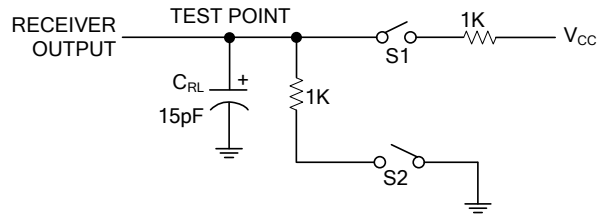


Fig. 2 Receiver Enable/Disable Timing Test Load

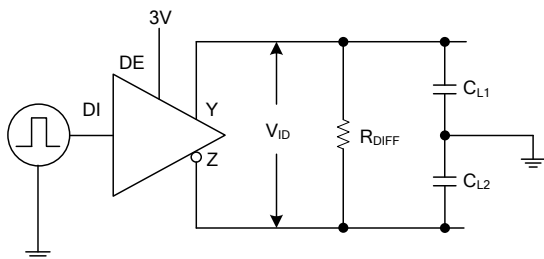


Fig. 3 Driver Timing Test Circuit

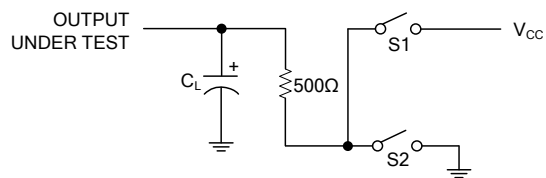


Fig. 4 Driver Enable/Disable Timing Test Load

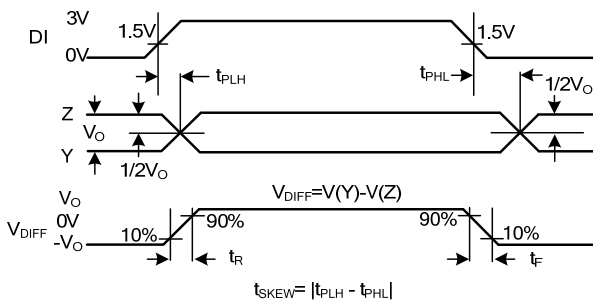


Fig. 5 Driver Propagation Delays

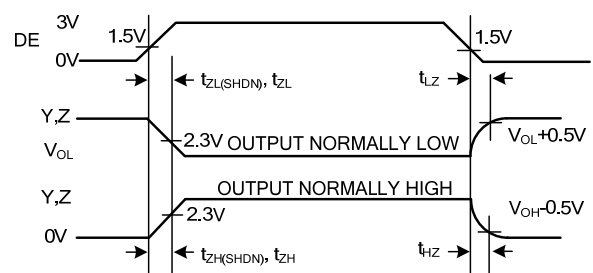


Fig. 6 Driver Enable and Disable Times

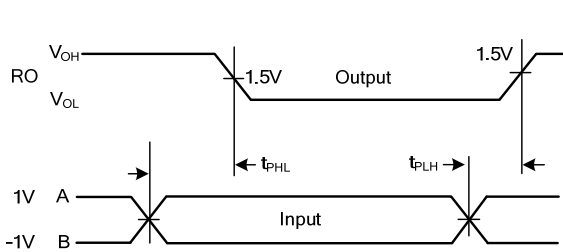


Fig. 7 Receiver Propagation Delays

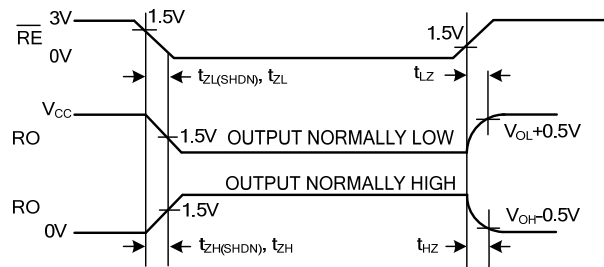


Fig. 8 Receiver Enable and Disable Times

■ TEST CIRCUIT (Cont.)

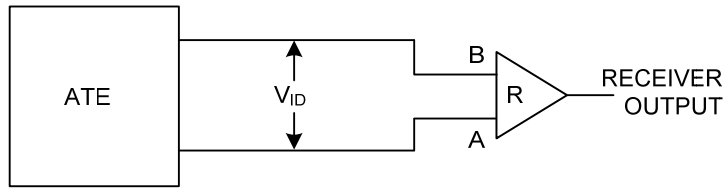
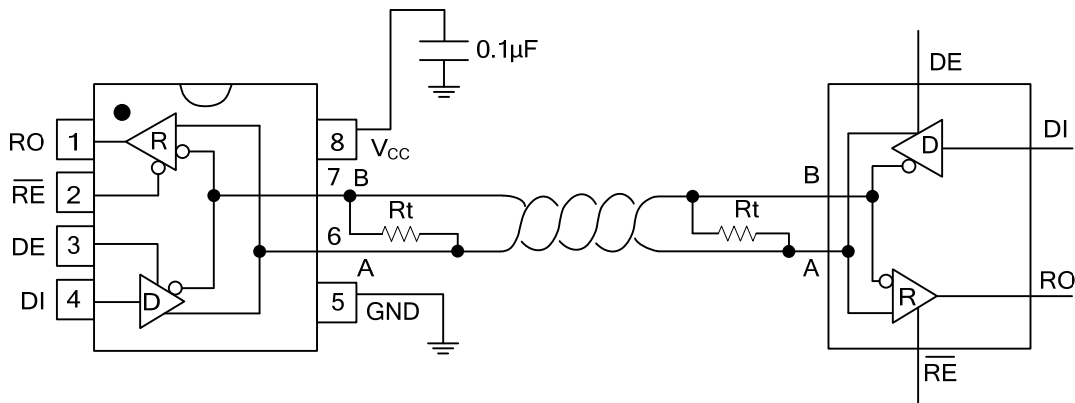


Fig. 9 Receiver Propagation Delay Test Circuit

■ TYPICAL APPLICATION CIRCUIT



Note: Pin labels Y and Z on timing, test, and waveform diagrams refer to pins A and B when DE is high.

UTC assumes no responsibility for equipment failures that result from using products at values that exceed, even momentarily, rated values (such as maximum ratings, operating condition ranges, or other parameters) listed in products specifications of any and all UTC products described or contained herein. UTC products are not designed for use in life support appliances, devices or systems where malfunction of these products can be reasonably expected to result in personal injury. Reproduction in whole or in part is prohibited without the prior written consent of the copyright owner. UTC reserves the right to make changes to information published in this document, including without limitation specifications and product descriptions, at any time and without notice. This document supersedes and replaces all information supplied prior to the publication hereof.