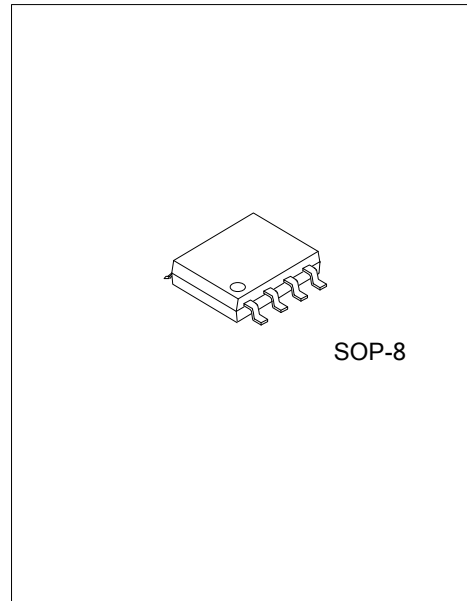




2-BIT BIDIRECTIONAL VOLTAGE-LEVEL TRANSLATOR FOR OPEN-DRAIN AND PUSH-PULL APPLICATIONS



■ DESCRIPTION

The UTC **UVXS0102** is a two-bit non-inverting bidirectional voltage-level translator and can be used to establish digital switching compatibility between mixed-voltage systems.

The UTC **UVXS0102** separates A ports with B ports, and both ports are configurable power-supply rails, with the A ports supporting operating voltages from 1.65V to 3.6V, and the B ports supporting operating voltages from 2.3V to 5.5V. This allows the support of both lower and higher logic signal levels while providing bidirectional translation capabilities between any of the 1.8V, 2.5V, 3.3V, and 5V voltage nodes.

All I/Os of the UTC **UVXS0102** are placed in the high-impedance state when the output-enable (OE) input is low, which significantly reduces the power-supply quiescent current consumption. So, to ensure the high-impedance state during power up or power down, OE should be tied to GND through a pull-down resistor; the minimum value of the resistor is determined by the current-sourcing capability of the driver.

■ FEATURES

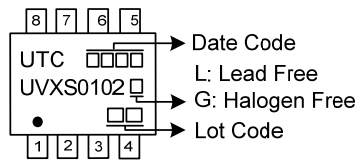
- * Maximum Data Rates
 - 24 Mbps (Push Pull)
 - 2 Mbps (Open Drain)
- * 1.65V~3.6V on A ports and 2.3V~5.5V on B ports ($V_{CCA} \leq V_{CCB}$)
- * No Direction-Control Signal Needed
- * V_{CC} Isolation Feature: If either V_{CC} input is at GND, both ports are in the High-Impedance state
- * No Power-Supply Sequencing Required: Either V_{CCA} or V_{CCB} can be ramped first
- * I_{off} Supports Partial-Power-Down Mode Operation

■ ORDERING INFORMATION

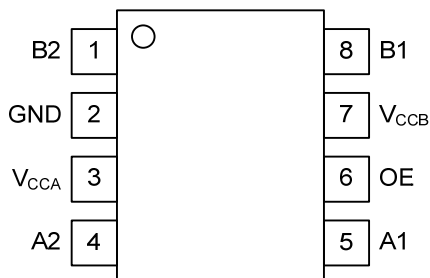
Ordering Number		Package	Packing
Lead Free	Halogen Free		
UVXS0102L-S08-R	UVXS0102G-S08-R	SOP-8	Tape Reel

<p>UVXS0102G-S08-R</p> <p>(1) Packing Type (2) Package Type (3) Green Package</p>	<p>(1) R: Tape Reel (2) S08: SOP-8 (3) G: Halogen Free and Lead Free, L: Lead Free</p>
---	--

■ MARKING



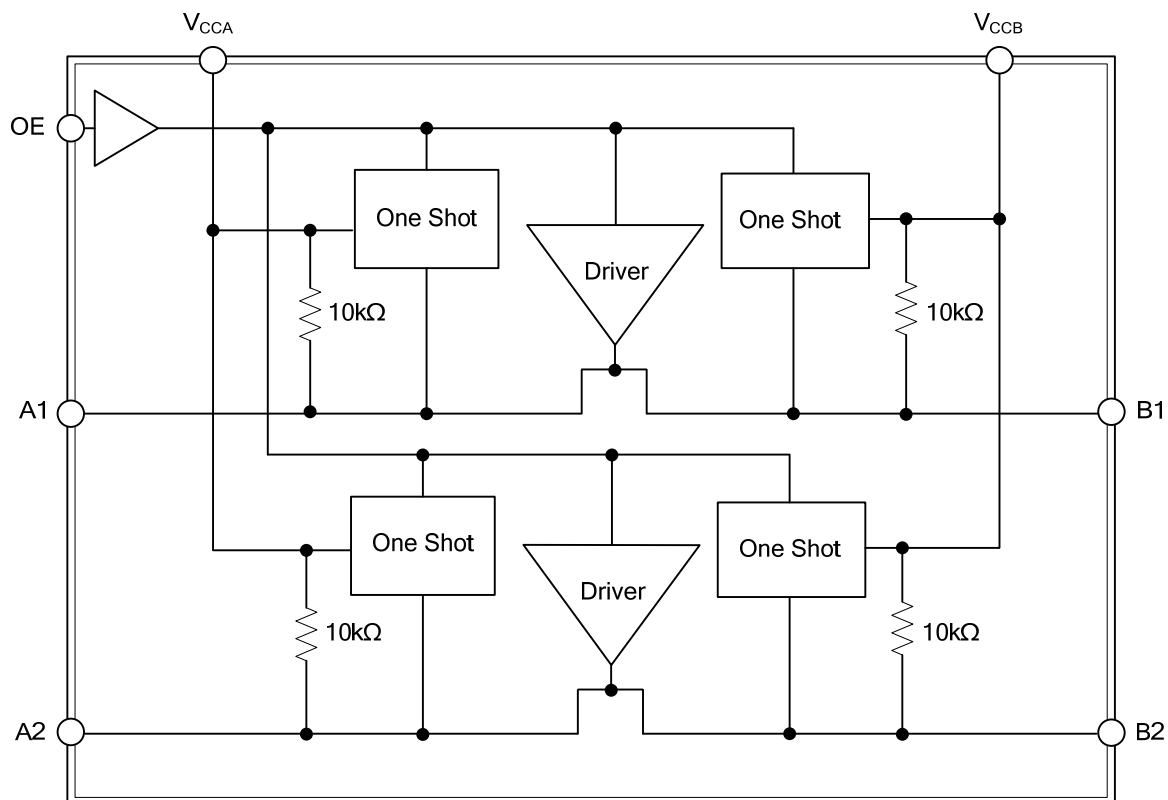
■ PIN CONFIGURATION



■ PIN DESCRIPTION

PIN NO.	PIN NAME	DESCRIPTION
1	B2	B-port: Input/output. Referenced to V _{CCB} .
2	GND	Ground
3	V _{CCA}	Power: A-port supply voltage. 1.65V ≤ V _{CCA} ≤ 3.6V
4	A2	A-port: Input/output. Referenced to V _{CCA} .
5	A1	A-port: Input/output. Referenced to V _{CCA} .
6	OE	Enable: active High, Pull OE low to place all outputs in 3-state mode. Referenced to V _{CCA} .
7	V _{CCB}	Power: B-port supply voltage. 2.3V ≤ V _{CCB} ≤ 5.5V and V _{CCA} ≤ V _{CCB} .
8	B1	B-port: Input/output. Referenced to V _{CCB} .

■ BLOCK DIAGRAM



■ ABSOLUTE MAXIMUM RATING (NOTE 1)

PARAMETER		SYMBOL	RATINGS	UNIT
Supply Voltage Range		V_{CCA}	-0.5 ~ 4.6	V
Supply Voltage Range		V_{CCB}	-0.5 ~ 6.5	V
Input Voltage Range (Note 2)	A port	V_I	-0.5 ~ 4.6	V
	B port		-0.5 ~ 6.5	
Voltage Range Applied To Any Output In The High-Impedance Or Power-Off State (Note 2)	A port	V_O	-0.5 ~ 4.6	V
	B port		-0.5 ~ 6.5	
Voltage Range Applied To Any Output In The High Or Low State (Note 2, 3)	A port	V_O	-0.5 ~ $V_{CCA}+0.5$	V
	B port		-0.5 ~ $V_{CCB}+0.5$	
Input Clamp Current	$V_I < 0$	I_{IK}	-50	mA
Output Clamp Current	$V_O < 0$	I_{OK}	-50	mA
Continuous Output Current		I_O	±50	mA
Continuous Current Through V_{CCA} , V_{CCB} , or GND			±100	mA
Junction Temperature		T_J	+150	°C
Storage Temperature		T_{STG}	-65 ~ +150	°C

- Notes: 1. Absolute maximum ratings are those values beyond which the device could be permanently damaged. Absolute maximum ratings are stress ratings only and functional device operation is not implied.
2. The input and output negative-voltage ratings may be exceeded if the input and output current ratings are observed.
3. The value of V_{CCA} and V_{CCB} are provided in the recommended operating conditions table.

■ RECOMMENDED OPERATING CONDITIONS

V_{CCI} is the supply voltage associated with the input port. V_{CCO} is the supply voltage associated with the output port.

PARAMETER			SYMBOL	RATINGS	UNIT
Supply Voltage (Note 1)			V_{CCA}	1.65 ~ 3.6	V
Supply Voltage			V_{CCB}	2.3 ~ 5.5	V
High-Level Input Voltage	A-Port I/Os	$V_{CCA}=1.65V \sim 3.6V$, $V_{CCB}=2.3V \sim 5.5V$	V_{IH}	$V_{CCI} - 0.2 \sim V_{CCI}$	V
	B-Port I/Os	$V_{CCA}=1.65V \sim 3.6V$, $V_{CCB}=2.3V \sim 5.5V$		$V_{CCI} - 0.4 \sim V_{CCI}$	
	OE Input	$V_{CCA}=1.65V \sim 3.6V$, $V_{CCB}=2.3V \sim 5.5V$		$V_{CCA} \times 0.65 \sim 5.5$	
Low-Level Input Voltage (Note 2)	A-Port I/Os	$V_{CCA}=1.65V \sim 3.6V$, $V_{CCB}=2.3V \sim 5.5V$	V_{IL}	0 ~ 0.15	V
	B-Port I/Os	$V_{CCA}=1.65V \sim 3.6V$, $V_{CCB}=2.3V \sim 5.5V$		0 ~ 0.15	
	OE Input	$V_{CCA}=1.65V \sim 3.6V$, $V_{CCB}=2.3V \sim 5.5V$		0 ~ $V_{CCA} \times 0.30$	
Input Transition Rise Or Fall Rate	A-Port I/Os Push-Pull Driving	$V_{CCA}=1.65V \sim 3.6V$, $V_{CCB}=2.3V \sim 5.5V$	$\Delta t/\Delta v$	10	ns/V
	B-Port I/Os Push-Pull Driving	$V_{CCA}=1.65V \sim 3.6V$, $V_{CCB}=2.3V \sim 5.5V$		10	
	Control Input	$V_{CCA}=1.65V \sim 3.6V$, $V_{CCB}=2.3V \sim 5.5V$		10	
Operating Free-Air Temperature			T_A	-40 ~ +85	°C

- Notes: 1. V_{CCA} must be less than or equal to V_{CCB} , and V_{CCA} must not exceed 3.6V.
2. The maximum V_{IL} value is provided to ensure that a valid V_{OL} is maintained. The V_{OL} value is V_{IL} plus the voltage drop across the pass-gate transistor.

■ ELECTRICAL CHARACTERISTICS (Note 1, 2, 3) ($T_A=25^\circ\text{C}$, unless otherwise specified)

PARAMETER	SYMBOL	TEST CONDITIONS	MIN	TYP	MAX	UNIT	
Port A Output High Voltage	V_{OHA}	$I_{OH}=-20\mu\text{A}$, $V_{IB}\geq V_{CCB}-0.4\text{V}$ $V_{CCA}=1.65\text{V}\sim 3.6\text{V}$, $V_{CCB}=2.3\text{V}\sim 5.5\text{V}$	V_{CCA} $\times 0.67$			V	
Port A Output Low Voltage	V_{OLA}	$I_{OL}=1\text{mA}$, $V_{IB}\leq 0.15\text{V}$ $V_{CCA}=1.65\text{V}\sim 3.6\text{V}$, $V_{CCB}=2.3\text{V}\sim 5.5\text{V}$			0.6	V	
Port B Output High Voltage	V_{OHB}	$V_{CCA}=1.65\text{V}\sim 3.6\text{V}$, $V_{CCB}=2.3\text{V}\sim 5.5\text{V}$	V_{CCB} $\times 0.67$			V	
Port B Output Low Voltage	V_{OLB}	$V_{CCA}=1.65\text{V}\sim 3.6\text{V}$, $V_{CCB}=2.3\text{V}\sim 5.5\text{V}$			0.6	V	
Input Leakage Current	I_I	$V_{CCA}=1.65\text{V}\sim 3.6\text{V}$, $V_{CCB}=2.3\text{V}\sim 5.5\text{V}$			± 1	μA	
Partial Power Down Current	I_{off}	A port, $V_{CCA}=0\text{V}$			± 1	μA	
		B port, $V_{CCA}=0\text{V}\sim 3.6\text{V}$			± 1		
High-Impedance State Output Current	I_{OZ}	A or B port $V_{CCA}=1.65\text{V}\sim 3.6\text{V}$, $V_{CCB}=2.3\text{V}\sim 5.5\text{V}$			± 1	μA	
V_{CCA} Supply Current	I_{CCA}	$V_I=V_O=\text{open}$, $I_O=0$	$V_{CCA}=1.65\text{V}\sim V_{CCB}$ $V_{CCB}=2.3\text{V}\sim 5.5\text{V}$			2.4	μA
			$V_{CCA}=3.6\text{V}$ $V_{CCB}=0\text{V}$			2.2	μA
			$V_{CCA}=0\text{V}$ $V_{CCB}=5.5\text{V}$			-1	μA
V_{CCB} Supply Current	I_{CCB}	$V_I=V_O=\text{open}$, $I_O=0$	$V_{CCA}=1.65\text{V}\sim V_{CCB}$ $V_{CCB}=2.3\text{V}\sim 5.5\text{V}$			12	μA
			$V_{CCA}=3.6\text{V}$ $V_{CCB}=0\text{V}$			-1	μA
			$V_{CCA}=0\text{V}$ $V_{CCB}=5.5\text{V}$			1	μA
Combined Supply Current	$I_{CCA}+I_{CCB}$	$V_I=V_{CCI}$ or GND, $I_O=0$	$V_{CCA}=1.65\text{V}\sim V_{CCB}$ $V_{CCB}=2.3\text{V}\sim 5.5\text{V}$			14.4	μA
Input Capacitance	C_I	OE	$V_{CCA}=3.3\text{V}$ $V_{CCB}=3.3\text{V}$		2.5	pF	
Input-to-Output Internal Capacitance	C_{io}	A or B port	$V_{CCA}=3.3\text{V}$ $V_{CCB}=3.3\text{V}$		10	pF	
		A port			5	pF	
		B port			6	pF	

Notes: 1. V_{CCI} is the V_{CC} associated with the input port.

2. V_{CCO} is the V_{CC} associated with the output port.

3. V_{CCA} must be less than or equal to V_{CCB} , and V_{CCA} must not exceed 3.6V.

■ TIMING REQUIREMENTS

$V_{CCA}=1.8V\pm 0.15V$

PARAMETER	SYMBOL	TEST CONDITIONS	MIN	TYP	MAX	UNIT
Push-Pull Driving	Data Rate	$V_{CCB}=2.5V\pm 0.2V$			21	Mbps
		$V_{CC}=3.3V\pm 0.3V$			22	Mbps
		$V_{CC}=5V\pm 0.5V$			24	Mbps
Open-Drain Driving		$V_{CCB}=2.5V\pm 0.2V$			2	Mbps
		$V_{CC}=3.3V\pm 0.3V$			2	Mbps
		$V_{CC}=5V\pm 0.5V$			2	Mbps
Push-Pull Driving (Data Inputs)	Pulse Duration	$V_{CCB}=2.5V\pm 0.2V$	47			ns
		$V_{CC}=3.3V\pm 0.3V$	45			ns
		$V_{CC}=5V\pm 0.5V$	41			ns
Open-Drain Driving (Data Inputs)		$V_{CCB}=2.5V\pm 0.2V$	500			ns
		$V_{CC}=3.3V\pm 0.3V$	500			ns
		$V_{CC}=5V\pm 0.5V$	500			ns

$V_{CCA}=2.5V\pm 0.2V$

PARAMETER	SYMBOL	TEST CONDITIONS	MIN	TYP	MAX	UNIT
Push-Pull Driving	Data Rate	$V_{CCB}=2.5V\pm 0.2V$			20	Mbps
		$V_{CC}=3.3V\pm 0.3V$			22	Mbps
		$V_{CC}=5V\pm 0.5V$			24	Mbps
Open-Drain Driving		$V_{CCB}=2.5V\pm 0.2V$			2	Mbps
		$V_{CC}=3.3V\pm 0.3V$			2	Mbps
		$V_{CC}=5V\pm 0.5V$			2	Mbps
Push-Pull Driving (Data Inputs)	Pulse Duration	$V_{CCB}=2.5V\pm 0.2V$	50			ns
		$V_{CC}=3.3V\pm 0.3V$	45			ns
		$V_{CC}=5V\pm 0.5V$	41			ns
Open-Drain Driving (Data Inputs)		$V_{CCB}=2.5V\pm 0.2V$	500			ns
		$V_{CC}=3.3V\pm 0.3V$	500			ns
		$V_{CC}=5V\pm 0.5V$	500			ns

$V_{CCA}=3.3V\pm 0.3V$

PARAMETER	SYMBOL	TEST CONDITIONS	MIN	TYP	MAX	UNIT
Push-Pull Driving	Data Rate	$V_{CC}=3.3V\pm 0.3V$			23	Mbps
		$V_{CC}=5V\pm 0.5V$			24	Mbps
Open-Drain Driving		$V_{CC}=3.3V\pm 0.3V$			2	Mbps
		$V_{CC}=5V\pm 0.5V$			2	Mbps
Push-Pull Driving (Data Inputs)	Pulse Duration	$V_{CC}=3.3V\pm 0.3V$	43			ns
		$V_{CC}=5V\pm 0.5V$	41			ns
Open-Drain Driving (Data Inputs)		$V_{CC}=3.3V\pm 0.3V$	500			ns
		$V_{CC}=5V\pm 0.5V$	500			ns

■ SWITCHING CHARACTERISTICS

(over operating free-air temperature range, unless otherwise specified.)

$V_{CCA}=1.8V\pm 0.15V$

PARAMETER	SYMBOL	TEST CONDITIONS	TEST CONDITIONS	MIN	TYP	MAX	UNIT
Propagation Delay Time High to Low Output (A to B)	t_{PHL}	Push-pull driving	$V_{CCB}=2.5V\pm 0.2V$			15.3	ns
			$V_{CCB}=3.3V\pm 0.3V$			15.4	ns
			$V_{CCB}=5V\pm 0.5V$			16.8	ns
		Open-drain driving	$V_{CCB}=2.5V\pm 0.2V$	2.3		18.8	ns
			$V_{CCB}=3.3V\pm 0.3V$	2.4		19.6	ns
			$V_{CCB}=5V\pm 0.5V$	2.6		20	ns
Propagation Delay Time Low to High Output (A to B)	t_{PLH}	Push-pull driving	$V_{CCB}=2.5V\pm 0.2V$			16.8	ns
			$V_{CCB}=3.3V\pm 0.3V$			17.1	ns
			$V_{CCB}=5V\pm 0.5V$			17.5	ns
		Open-drain driving	$V_{CCB}=2.5V\pm 0.2V$	45		260	ns
			$V_{CCB}=3.3V\pm 0.3V$	36		208	ns
			$V_{CCB}=5V\pm 0.5V$	27		198	ns
Propagation Delay Time High to Low Output (B to A)	t_{PHL}	Push-pull driving	$V_{CCB}=2.5V\pm 0.2V$			14.4	ns
			$V_{CCB}=3.3V\pm 0.3V$			14.5	ns
			$V_{CCB}=5V\pm 0.5V$			14.7	ns
		Open-drain driving	$V_{CCB}=2.5V\pm 0.2V$	1.9		15.3	ns
			$V_{CCB}=3.3V\pm 0.3V$	1.1		14.4	ns
			$V_{CCB}=5V\pm 0.5V$	1.2		14	ns
Propagation Delay Time Low to High Output (B to A)	t_{PLH}	Push-pull driving	$V_{CCB}=2.5V\pm 0.2V$			15.3	ns
			$V_{CCB}=3.3V\pm 0.3V$			14.5	ns
			$V_{CCB}=5V\pm 0.5V$			10.5	ns
		Open-drain driving	$V_{CCB}=2.5V\pm 0.2V$	45		175	ns
			$V_{CCB}=3.3V\pm 0.3V$	36		140	ns
			$V_{CCB}=5V\pm 0.5V$	27		102	ns
Enable Time	t_{en}	OE to A or B	$V_{CCB}=2.5V\pm 0.2V$			200	ns
			$V_{CCB}=3.3V\pm 0.3V$			200	ns
			$V_{CCB}=5V\pm 0.5V$			200	ns
Disable Time	t_{dis}	OE to A or B	$V_{CCB}=2.5V\pm 0.2V$			90	ns
			$V_{CCB}=3.3V\pm 0.3V$			90	ns
			$V_{CCB}=5V\pm 0.5V$			90	ns
Input Rise Time (A port rise time)	t_{rA}	Push-pull driving	$V_{CCB}=2.5V\pm 0.2V$	3.2		19.5	ns
			$V_{CCB}=3.3V\pm 0.3V$	2.3		19.3	ns
			$V_{CCB}=5V\pm 0.5V$	2		17.6	ns
		Open-drain driving	$V_{CCB}=2.5V\pm 0.2V$	38		165	ns
			$V_{CCB}=3.3V\pm 0.3V$	30		132	ns
			$V_{CCB}=5V\pm 0.5V$	22		95	ns
Input Rise Time (B port fall time)	t_{rB}	Push-pull driving	$V_{CCB}=2.5V\pm 0.2V$	4		20.8	ns
			$V_{CCB}=3.3V\pm 0.3V$	2.7		19.1	ns
			$V_{CCB}=5V\pm 0.5V$	2.7		17.6	ns
		Open-drain driving	$V_{CCB}=2.5V\pm 0.2V$	34		145	ns
			$V_{CCB}=3.3V\pm 0.3V$	23		106	ns
			$V_{CCB}=5V\pm 0.5V$	10		58	ns
Input Rise Time (A port rise time)	t_{rA}	Push-pull driving	$V_{CCB}=2.5V\pm 0.2V$	2		15.9	ns
			$V_{CCB}=3.3V\pm 0.3V$	1.9		16	ns
			$V_{CCB}=5V\pm 0.5V$	1.7		16.3	ns
		Open-drain driving	$V_{CCB}=2.5V\pm 0.2V$	4.4		16.9	ns
			$V_{CCB}=3.3V\pm 0.3V$	4.3		16.4	ns
			$V_{CCB}=5V\pm 0.5V$	4.2		16.1	ns

■ SWITCHING CHARACTERISTICS (Cont.)

PARAMETER	SYMBOL	TEST CONDITIONS	TEST CONDITIONS	MIN	TYP	MAX	UNIT
Input Rise Time (B port fall time)	t_{rB}	Push-pull driving	$V_{CCB}=2.5V\pm0.2V$	2.9		21.1	ns
			$V_{CCB}=3.3V\pm0.3V$	2.8		21.6	ns
			$V_{CCB}=5V\pm0.5V$	2.8		22.2	ns
		Open-drain driving	$V_{CCB}=2.5V\pm0.2V$	6.9		21.8	ns
			$V_{CCB}=3.3V\pm0.3V$	7.5		22.2	ns
			$V_{CCB}=5V\pm0.5V$	7		22.4	ns
Skew (Time), Output	$t_{SK(O)}$	Channel -to- channel skew	$V_{CCB}=2.5V\pm0.2V$			0.7	ns
			$V_{CCB}=3.3V\pm0.3V$			0.7	ns
			$V_{CCB}=5V\pm0.5V$			0.7	ns
Maximum Data Rate	f_{MAX}	Push-pull driving	$V_{CCB}=2.5V\pm0.2V$	21			Mbps
			$V_{CCB}=3.3V\pm0.3V$	22			Mbps
			$V_{CCB}=5V\pm0.5V$	24			Mbps
		Open-drain driving	$V_{CCB}=2.5V\pm0.2V$	2			Mbps
			$V_{CCB}=3.3V\pm0.3V$	2			Mbps
			$V_{CCB}=5V\pm0.5V$	2			Mbps

$V_{CCA}=2.5V\pm0.2V$

PARAMETER	SYMBOL	TEST CONDITIONS	TEST CONDITIONS	MIN	TYP	MAX	UNIT
Propagation Delay Time High to Low Output (A to B)	t_{PHL}	Push-pull driving	$V_{CCB}=2.5V\pm0.2V$			13.2	ns
			$V_{CCB}=3.3V\pm0.3V$			13.7	ns
			$V_{CCB}=5V\pm0.5V$			13.8	ns
		Open-drain driving	$V_{CCB}=2.5V\pm0.2V$	1.7		16.3	ns
			$V_{CCB}=3.3V\pm0.3V$	2		16	ns
			$V_{CCB}=5V\pm0.5V$	2.1		15.8	ns
Propagation Delay Time Low to High Output (A to B)	t_{PLH}	Push-pull driving	$V_{CCB}=2.5V\pm0.2V$			13.5	ns
			$V_{CCB}=3.3V\pm0.3V$			14.1	ns
			$V_{CCB}=5V\pm0.5V$			14.4	ns
		Open-drain driving	$V_{CCB}=2.5V\pm0.2V$	43		250	ns
			$V_{CCB}=3.3V\pm0.3V$	36		206	ns
			$V_{CCB}=5V\pm0.5V$	27		190	ns
Propagation Delay Time High to Low Output (B to A)	t_{PHL}	Push-pull driving	$V_{CCB}=2.5V\pm0.2V$			13	ns
			$V_{CCB}=3.3V\pm0.3V$			13.6	ns
			$V_{CCB}=5V\pm0.5V$			14.3	ns
		Open-drain driving	$V_{CCB}=2.5V\pm0.2V$	1.8		14.7	ns
			$V_{CCB}=3.3V\pm0.3V$	2.6		14.2	ns
			$V_{CCB}=5V\pm0.5V$	1.2		14	ns
Propagation Delay Time Low to High Output (B to A)	t_{PLH}	Push-pull driving	$V_{CCB}=2.5V\pm0.2V$			12.5	ns
			$V_{CCB}=3.3V\pm0.3V$			11.6	ns
			$V_{CCB}=5V\pm0.5V$			11	ns
		Open-drain driving	$V_{CCB}=2.5V\pm0.2V$	44		170	ns
			$V_{CCB}=3.3V\pm0.3V$	37		140	ns
			$V_{CCB}=5V\pm0.5V$	27		103	ns
Enable Time	t_{en}	OE to A or B	$V_{CCB}=2.5V\pm0.2V$			200	ns
			$V_{CCB}=3.3V\pm0.3V$			200	ns
			$V_{CCB}=5V\pm0.5V$			200	ns
Disable Time	t_{dis}	OE to A or B	$V_{CCB}=2.5V\pm0.2V$			90	ns
			$V_{CCB}=3.3V\pm0.3V$			90	ns
			$V_{CCB}=5V\pm0.5V$			90	ns

■ SWITCHING CHARACTERISTICS (Cont.)

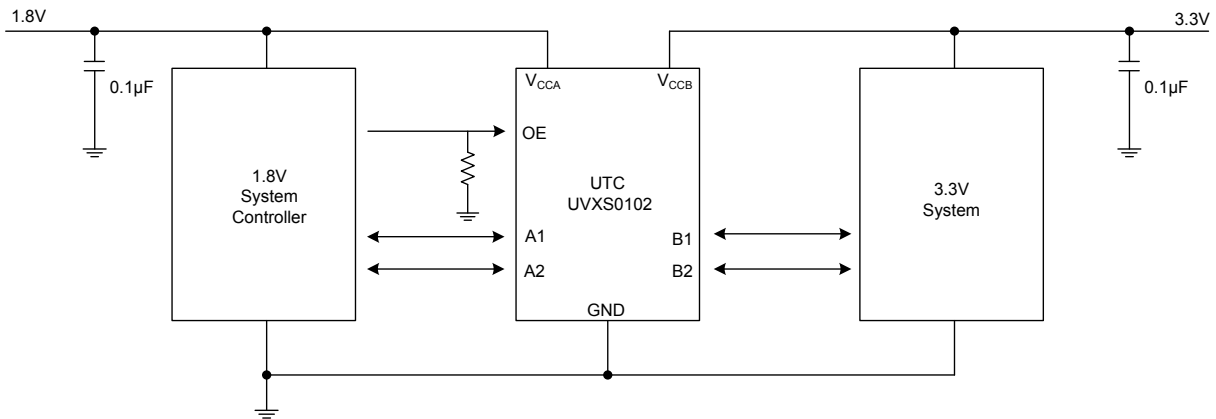
PARAMETER	SYMBOL	TEST CONDITIONS	TEST CONDITIONS	MIN	TYP	MAX	UNIT
Input Rise Time (A port rise time)	t_{rA}	Push-pull driving	$V_{CCB}=2.5V\pm0.2V$	2.8		17.4	ns
			$V_{CCB}=3.3V\pm0.3V$	2.6		16.6	ns
			$V_{CCB}=5V\pm0.5V$	1.8		15.6	ns
		Open-drain driving	$V_{CCB}=2.5V\pm0.2V$	3		149	ns
			$V_{CCB}=3.3V\pm0.3V$	28		121	ns
			$V_{CCB}=5V\pm0.5V$	24		89	ns
Input Rise Time (B port fall time)	t_{rB}	Push-pull driving	$V_{CCB}=2.5V\pm0.2V$	3.2		18.3	ns
			$V_{CCB}=3.3V\pm0.3V$	2.9		17.2	ns
			$V_{CCB}=5V\pm0.5V$	2.4		16.1	ns
		Open-drain driving	$V_{CCB}=2.5V\pm0.2V$	35		151	ns
			$V_{CCB}=3.3V\pm0.3V$	24		112	ns
			$V_{CCB}=5V\pm0.5V$	12		64	ns
Input Rise Time (A port rise time)	t_{rA}	Push-pull driving	$V_{CCB}=2.5V\pm0.2V$	1.9		15.7	ns
			$V_{CCB}=3.3V\pm0.3V$	1.9		15.5	ns
			$V_{CCB}=5V\pm0.5V$	1.8		15.3	ns
		Open-drain driving	$V_{CCB}=2.5V\pm0.2V$	4.4		16.9	ns
			$V_{CCB}=3.3V\pm0.3V$	4.3		16.2	ns
			$V_{CCB}=5V\pm0.5V$	4.2		15.8	ns
Input Rise Time (B port fall time)	t_{rB}	Push-pull driving	$V_{CCB2,6}=2.5V\pm0.2V$	2.2		17.8	ns
			$V_{CCB}=3.3V\pm0.3V$	2.4		16.7	ns
			$V_{CCB}=5V\pm0.5V$	2.6		16.6	ns
		Open-drain driving	$V_{CCB}=2.5V\pm0.2V$	5.1		18.8	ns
			$V_{CCB}=3.3V\pm0.3V$	5.4		19.4	ns
			$V_{CCB}=5V\pm0.5V$	5.4		20.4	ns
Skew (Time), Output	$t_{SK(O)}$	Channel -to- channel skew	$V_{CCB}=2.5V\pm0.2V$			0.7	ns
			$V_{CCB}=3.3V\pm0.3V$			0.7	ns
			$V_{CCB}=5V\pm0.5V$			0.7	ns
Maximum Data Rate	f_{MAX}	Push-pull driving	$V_{CCB}=2.5V\pm0.2V$	20			Mbps
			$V_{CCB}=3.3V\pm0.3V$	22			Mbps
			$V_{CCB}=5V\pm0.5V$	24			Mbps
		Open-drain driving	$V_{CCB}=2.5V\pm0.2V$	2			Mbps
			$V_{CCB}=3.3V\pm0.3V$	2			Mbps
			$V_{CCB}=5V\pm0.5V$	2			Mbps

■ SWITCHING CHARACTERISTICS (Cont.)

$V_{CCA}=3.3V\pm 0.3V$

PARAMETER	SYMBOL	TEST CONDITIONS	TEST CONDITIONS	MIN	TYP	MAX	UNIT
Propagation Delay Time High to Low Output (A to B)	t_{PHL}	Push-pull driving	$V_{CCB}=3.3V\pm 0.3V$			12.4	ns
			$V_{CCB}=5V\pm 0.5V$			13.1	ns
		Open-drain driving	$V_{CCB}=3.3V\pm 0.3V$	1.3		14.2	ns
			$V_{CCB}=5V\pm 0.5V$	1.4		14.6	ns
Propagation Delay Time Low to High Output (A to B)	t_{PLH}	Push-pull driving	$V_{CCB}=3.3V\pm 0.3V$			14.2	ns
			$V_{CCB}=5V\pm 0.5V$			14.4	ns
		Open-drain driving	$V_{CCB}=3.3V\pm 0.3V$	36		204	ns
			$V_{CCB}=5V\pm 0.5V$	28		165	ns
Propagation Delay Time High to Low Output (B to A)	t_{PHL}	Push-pull driving	$V_{CCB}=3.3V\pm 0.3V$			12.5	ns
			$V_{CCB}=5V\pm 0.5V$			13.3	ns
		Open-drain driving	$V_{CCB}=3.3V\pm 0.3V$	1		124	ns
			$V_{CCB}=5V\pm 0.5V$	1		97	ns
Propagation Delay Time Low to High Output (B to A)	t_{PLH}	Push-pull driving	$V_{CCB}=3.3V\pm 0.3V$			12.5	ns
			$V_{CCB}=5V\pm 0.5V$	3		12.6	ns
		Open-drain driving	$V_{CCB}=3.3V\pm 0.3V$	3		139	ns
			$V_{CCB}=5V\pm 0.5V$			105	ns
Enable Time	t_{en}	OE to A or B	$V_{CCB}=3.3V\pm 0.3V$			200	ns
			$V_{CCB}=5V\pm 0.5V$			200	ns
Disable Time	t_{dis}	OE to A or B	$V_{CCB}=3.3V\pm 0.3V$			90	ns
			$V_{CCB}=5V\pm 0.5V$			90	ns
Input Rise Time (A port rise time)	t_{rA}	Push-pull driving	$V_{CCB}=3.3V\pm 0.3V$	2.3		15.6	ns
			$V_{CCB}=5V\pm 0.5V$	1.9		14.8	ns
		Open-drain driving	$V_{CCB}=3.3V\pm 0.3V$	25		116	ns
			$V_{CCB}=5V\pm 0.5V$	19		85	ns
Input Rise Time (B port fall time)	t_{rB}	Push-pull driving	$V_{CCB}=3.3V\pm 0.3V$	2.5		16.4	ns
			$V_{CCB}=5V\pm 0.5V$	2.1		17.4	ns
		Open-drain driving	$V_{CCB}=3.3V\pm 0.3V$	26		116	ns
			$V_{CCB}=5V\pm 0.5V$	14		72	ns
Input Rise Time (A port rise time)	t_{rA}	Push-pull driving	$V_{CCB}=3.3V\pm 0.3V$	2		15.4	ns
			$V_{CCB}=5V\pm 0.5V$	1.9		15	ns
		Open-drain driving	$V_{CCB}=3.3V\pm 0.3V$	4.3		16.1	ns
			$V_{CCB}=5V\pm 0.5V$	4.2		15.7	ns
Input Rise Time (B port fall time)	t_{rB}	Push-pull driving	$V_{CCB}=3.3V\pm 0.3V$	2.3		17.4	ns
			$V_{CCB}=5V\pm 0.5V$	2.4		17.6	ns
		Open-drain driving	$V_{CCB}=3.3V\pm 0.3V$	5		17.6	ns
			$V_{CCB}=5V\pm 0.5V$	4.8		18.3	ns
Skew (Time), Output	$t_{SK(O)}$	Channel -to- channel skew	$V_{CCB}=3.3V\pm 0.3V$			0.7	ns
			$V_{CCB}=5V\pm 0.5V$			0.7	ns
Maximum Data Rate	f_{MAX}	Push-pull driving	$V_{CCB}=3.3V\pm 0.3V$	23			Mbps
			$V_{CCB}=5V\pm 0.5V$	24			Mbps
		Open-drain driving	$V_{CCB}=3.3V\pm 0.3V$	2			Mbps
			$V_{CCB}=5V\pm 0.5V$	2			Mbps

■ TYPICAL APPLICATION CIRCUIT



UTC assumes no responsibility for equipment failures that result from using products at values that exceed, even momentarily, rated values (such as maximum ratings, operating condition ranges, or other parameters) listed in products specifications of any and all UTC products described or contained herein. UTC products are not designed for use in life support appliances, devices or systems where malfunction of these products can be reasonably expected to result in personal injury. Reproduction in whole or in part is prohibited without the prior written consent of the copyright owner. UTC reserves the right to make changes to information published in this document, including without limitation specifications and product descriptions, at any time and without notice. This document supersedes and replaces all information supplied prior to the publication hereof.