

UTCAN5151 LINEAR INTEGRATED CIRCUIT

TV VIF & SIF & DEFLECTION SYSTEM (FOR TV LARGE INTEGRATION)

DESCRIPTION

The UTC AN5151 is a monolithic integrated circuit containing all stage for the VIF, SIF and deflection of television receivers.

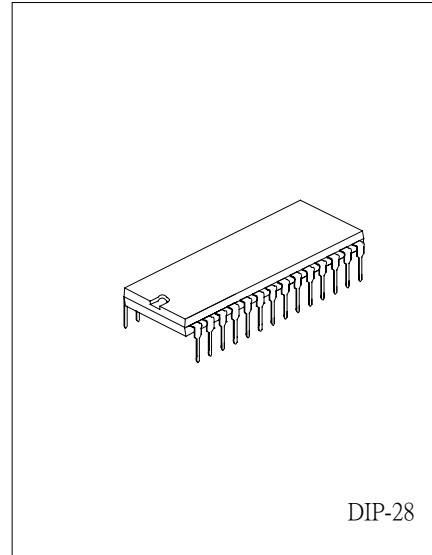
FEATURES

*High integrated technology makes it possible the integration of video IF circuit tuner AFC circuit sound. IF circuit and deflection-jungle circuit on one single chip.

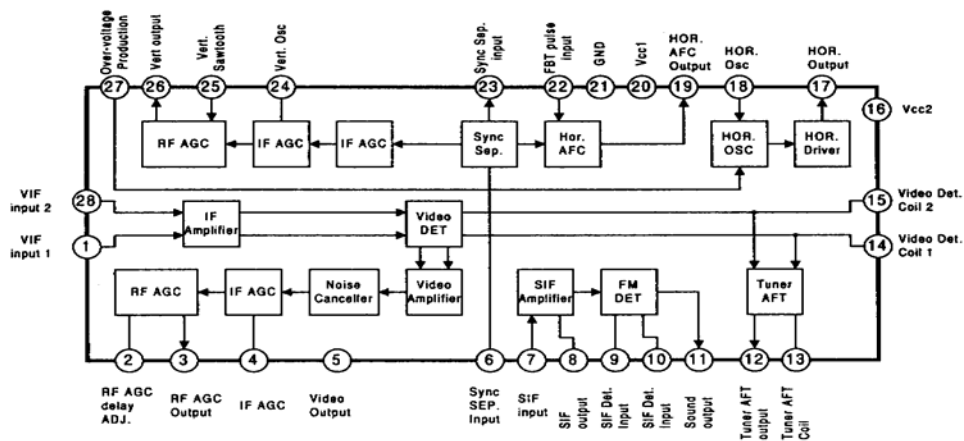
*supply voltage range: 8V to 12V

FUNCTIONS

- *IF Amplifier, IF AGC
- *Video Amplifier, Video Detector
- *Noise Canceller, Forward RF AGC
- *Tuner AFT, SIF Amplifier
- *Sound Detector, sync separation
- *Vertical oscillation trigger and driver
- *Horizontal oscillation driver and AFC



TYPICAL APPLICATION CIRCUIT



UTCAN5151 LINEAR INTEGRATED CIRCUIT

ABSOLUTE MAXIMUM RATINGS (Ta=25°C)

PARAMATER	SYMBOL	VALUE	UNIT
Supply Voltage	Vcc1	12	V
Supply Current	I20	85	mA
	I16	15	mA
Circuit Voltage	V2,3,4,24	0	V
	V8	5.5 ~ 0	V
	V13	4.2 ~ 0	V
	V17	0	V
Circuit Current	I5,6,11,23,26	+0.3 ~ -10	mA _{p-p}
	I19	+0.6 ~ -0.6	mA _{p-p}
	I25	+10 ~ 0	mA _{p-p}
	I17	+10 ~ -4	mA _{p-p}
Operating Temperature	Topr	-20 to +70	°C
Storage Temperature	Tstg	-40 to 125	°C
Power Dissipation(Ta=70°C)	P _{D1}	1100	mW

ELECTRICAL CHARACTERISTICS

(Ta=25°C, Vcc=10V, Vcc2=9.5V, unless otherwise specified)

PARAMATER	SYMBOL	TEST CONDITION	MIN	TYP	MAX	UNIT
VIDEO SECTION						
Video Det. Output	Vo	m=87.5%	2.0	2.3	2.6	V _{p-p}
Input Sensitivity	Svi	Vo=-3dB		50	55	dB _μ
Maximum Input	Vmax	Vo>+0dB	105	110		dB
S/N Ratio	S/N	Vi=80dB _μ	51	56		dB
Differential Gain	DG	m=87.5%		4	8	%
Differential Phase	DP	m=87.5%		3	6	°C
Video frequency Characteristics	Gvf	Vo=-3dB	4.5	6.0	8.0	MHz
Sync. Peak Voltage	Vp		1.9	2.3	2.7	V
Noise inverter output level	VNT		1.0	1.4	1.8	V
Noise inverter capture level	VNI		3.0	4.0	5.0	V
Sound IF Output	Vsif	P/S=20dB	100	104	107	dB _μ
Input Resistor	Rin	f=45.75MHz	0.8	1.0	1.2	kΩ
Input Capacitor	Cin	f=45.75MHz	3.0	3.4	3.8	pF
Output Resistor	Ro(pin 5)	f=500kHz	30	50	150	Ω
RF AGC Gain	G _{RF} (AGC)	f=10kHz, V4=5mV	36	42	48	dB
RF AGC Maximum Voltage	V3(max)		8.2	8.8	9.4	V
RF AGC Minimum Voltage	V3(min)		3.6	4.2	4.8	V
AFT Center Voltage	V2		4.0	5.4	6.0	V

UTCAN5151 LINEAR INTEGRATED CIRCUIT

PARAMATER	SYMBOL	TEST CONDITION	MIN	TYP	MAX	UNIT
AFT SW Operating Voltage	$V_{AFT(SW)}$	$R_s=10k\Omega$	0.5	2.6	3.0	V
AFT Maximum Output Voltage	V12 (max)		8.5	9.6	10.0	V
AFT Minimum Output Voltage	V12 (min)		0	0.7	1.2	V
Selection Sensitivity		$R_i=68k\Omega/82k\Omega$	30	50	90	mV/kHz
SOUND SECTION						
Sound Det. Output	V_o	$f_o=4.5MHz, f_m=400Hz, \Delta f=+-25kHz, V_i=100mVrms$	200	300	440	mVrms
Input Limit Voltage	$V_i(lim)$	$f_o=4.5MHz, f_m=400Hz, \Delta f=+-25kHz$		280	450	$\mu Vrms$
Total Harmonic distortion	THD	$f_o=4.5MHz, f_m=400Hz, \Delta f=+-25kHz, V_i=100mVrms$		0.6	1.0	%
AM Rejection ratio	AMR	$f_o=4.5MHz, f_m=400Hz, \Delta f=+-25kHz, V_i=100mVrms$	43	55		dB
Input Impedance	R17	$f=4.5MHz$	6	20	100	$k\Omega$
	C17		1.3	4.3	7.3	pF
Detector input impedance	R9	$f=4.5MHz$	2.0	3.0	4.0	$k\Omega$
	C9		2.1	5.1	8.1	pF
	R10		50	200		$k\Omega$
	C10		2.9	3.4	3.9	pF
DEFLECTION SECTION						
Sync separation horizontal pulse width 1	tsYNC1	Video input 2.5Vp-p APL=50%, $V_{cc1}=10V$	4.8	5.1	5.4	μs
Sync separation horizontal pulse width 2	tsYNC2	Video input 1.0Vp-p APL=50%, $V_{cc1}=10V$	4.9	5.2	5.5	μs
Horizontal AFC Horizontal pulse width 1	tsYNC3	Video input 2.5Vp-p APL=50%, $V_{cc1}=10V$	4.8	5.1	5.4	μs
Horizontal AFC Horizontal pulse width 2	tsYNC4	Video input 1.0Vp-p APL=50%, $V_{cc1}=10V$	4.9	5.2	5.5	μs
Vertical Osc. start supply voltage	V_{vos}	$f_{vo}=50\sim 70Hz,$ Output=0.7Vp-p			6	V
Vertical free runing frequency	f_{vo}	$R_{osc}=31.5k\Omega$	57	60	63	Hz
Vertical Osc. Pulse width	t_{vo}	$R_{osc}=31.5k\Omega$	470	650	830	μs
Vertical full in Range	$f_v(pull)$	$V_{cc1}=12V, 8V$ $\Delta f_{vo}/V_{cc}=f_{vo}(12V)-f_{vo}(8V)$	0	1.0	1.3	Hz
Horizontal OSC. Start supply voltage	V_{hos}	$f_{ho}=10\sim 20kHz,$ output=1Vp-p pin 16 Voltage			5	V
Horizontal Osc. Frequency	f_{ho}	$R_{osc}=21k\Omega$	15.0	15.75	16.25	kHz
Horizontal Osc. Pulse width	t_{ho}	$R_{osc}=21k\Omega$	23	25	29	μs
Horizontal OSC Control Sensitivity		$\Delta I1=+-100\mu A$ input Variable Osc. Frequency Variable	73	81	89	Hz/ μA

UTCAN5151 LINEAR INTEGRATED CIRCUIT

PARAMATER	SYMBOL	TEST CONDITION	MIN	TYP	MAX	UNIT
Phase Det. Sensitivity	μP	TV input 2Vp-p, $R(u)=31.4k\Omega, \mu=V19*10$	13.5	16.5	19.5	$\mu A/\mu S$
X-ray protector operation voltage	V27		0.81	0.87	0.93	V
X-ray protector input resistor	R27		16	19	22.5	$k\Omega$

UTC assumes no responsibility for equipment failures that result from using products at values that exceed, even momentarily, rated values (such as maximum ratings, operating condition ranges, or other parameters) listed in products specifications of any and all UTC products described or contained herein. UTC products are not designed for use in life support appliances, devices or systems where malfunction of these products can be reasonably expected to result in personal injury. Reproduction in whole or in part is prohibited without the prior written consent of the copyright owner. The information presented in this document does not form part of any quotation or contract, is believed to be accurate and reliable and may be changed without notice.