



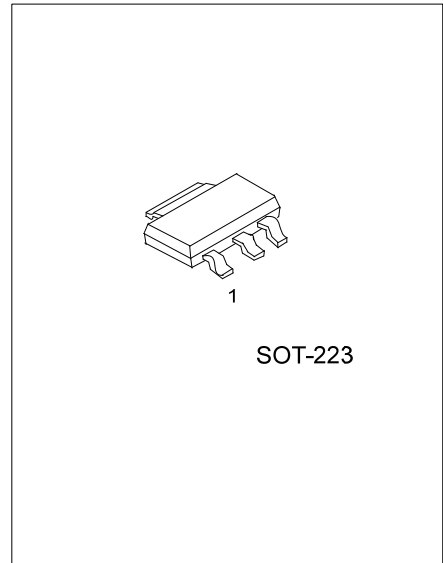
UP1853

PNP SILICON TRANSISTOR

HIGH CURRENT (HIGH PERFORMANCE) TRANSISTORS

■ FEATURES

- * 5A Continuous Current , up to 10A peak current
- * Very Low Saturation Voltages
- * Excellent Gain Characteristics Specified up to 10A
- * $P_D = 3W$



■ ORDERING INFORMATION

Ordering Number	Package	Pin Assignment			Packing
		1	2	3	
UP1853G-AA3-R	SOT-223	B	C	E	Tape Reel

<p>UP1853G-AA3-R</p> <p>(1) Packing Type</p> <p>(2) Package Type</p> <p>(3) Helogen Free</p>	<p>(1) R: Tape Reel</p> <p>(2) AA3: SOT-223</p> <p>(3) G: Halogen Free</p>
--	--

■ ABSOLUTE MAXIMUM RATINGS

PARAMETER	SYMBOL	RATINGS	UNIT
Collector-Base Voltage	V_{CBO}	-140	V
Collector-Emitter Voltage	V_{CEO}	-100	V
Emitter-Base Voltage	V_{EBO}	-6	V
Peak Pulse Current	I_{CM}	-10	A
Continuous Collector Current	I_C	-5	A
Power Dissipation ($T_a=25^\circ\text{C}$)	P_D	3	W
Junction Temperature	T_J	+150	$^\circ\text{C}$
Storage Temperature	T_{STG}	-55~+150	$^\circ\text{C}$

Note: Absolute maximum ratings are those values beyond which the device could be permanently damaged.

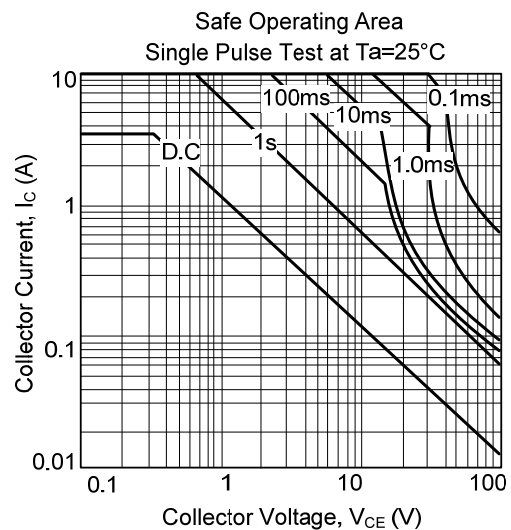
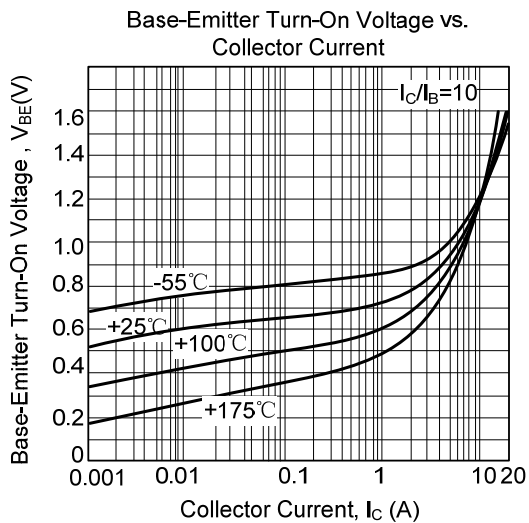
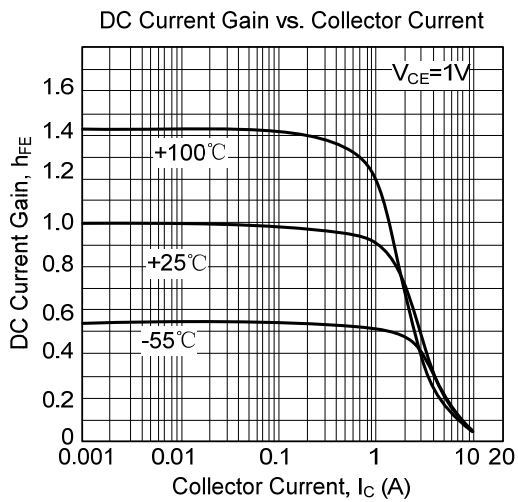
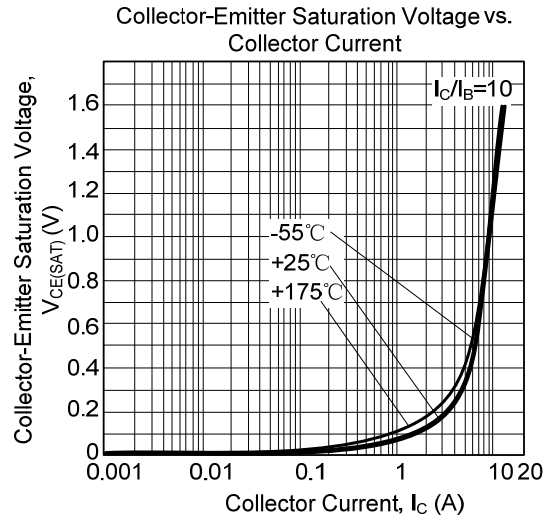
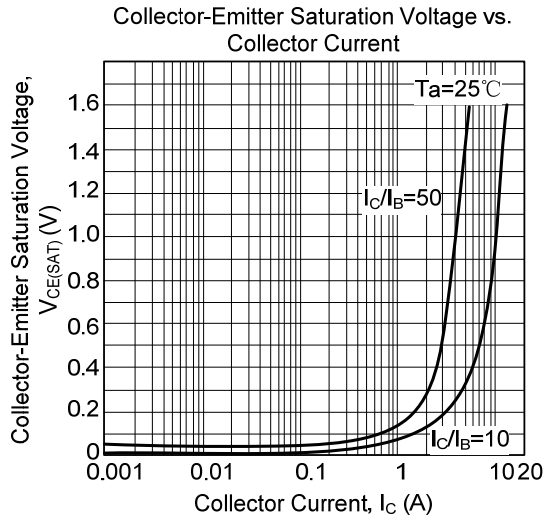
Absolute maximum ratings are stress ratings only and functional device operation is not implied.

■ ELECTRICAL CHARACTERISTICS ($T_a=25^\circ\text{C}$, unless otherwise specified)

PARAMETER	SYMBOL	TEST CONDITIONS	MIN	TYP	MAX	UNIT
Collector-Base Breakdown Voltage	BV_{CBO}	$I_C=-100\mu\text{A}$	-140	-170		V
Collector-Emitter Breakdown Voltage	BV_{CER}	$I_C=-1\mu\text{A}$, $R_B\leq 1\text{K}\Omega$	-140	-170		V
Collector-Emitter Breakdown Voltage	BV_{CEO}	$I_C=-10\text{mA}$ (Note)	-100	-120		V
Emitter-Base Breakdown Voltage	BV_{EBO}	$I_E=-100\mu\text{A}$	-6	-8		V
Collector Cut-Off Current	I_{CBO}	$V_{CB}=-100\text{V}$			-200	nA
Collector Cut-Off Current	I_{CER}	$V_{CB}=-100\text{V}$, $R\leq 1\text{k}\Omega$			-200	nA
Emitter Cut-Off Current	I_{EBO}	$V_{EB}=-6\text{V}$			-50	nA
Collector-Emitter Saturation Voltage	$V_{CE(SAT)}$ (Note)	$I_C=-100\text{mA}$, $I_B=-10\text{mA}$ $I_C=-1\text{A}$, $I_B=-100\text{mA}$ $I_C=-2\text{A}$, $I_B=-200\text{mA}$ $I_C=-4\text{A}$, $I_B=-400\text{mA}$		-20 -90 -160 -300	-50 -115 -220 -420	mV
Base-Emitter Saturation Voltage	$V_{BE(SAT)}$	$I_C=-4\text{A}$, $I_B=-400\text{mA}$ (Note)		-1010	-1170	mV
Base-Emitter Turn-On Voltage	$V_{BE(ON)}$	$I_C=-4\text{A}$, $V_{CE}=-1\text{V}$ (Note)		-925	-1160	mV
DC Current Gain	$h_{FE}(\text{Note})$	$I_C=-10\text{mA}$, $V_{CE}=-1\text{V}$ $I_C=-1\text{A}$, $V_{CE}=-1\text{V}$ $I_C=-3\text{A}$, $V_{CE}=-1\text{V}$ $I_C=-4\text{A}$, $V_{CE}=-1\text{V}$ $I_C=-10\text{A}$, $V_{CE}=-1\text{V}$	100 100 50 30	200 200 90 50 15	300	
Transition Frequency	f_T	$I_C=-100\text{mA}$, $V_{CE}=-10\text{V}$ $f=50\text{MHz}$		125		MHz
Output Capacitance	C_{ob}	$V_{CB}=-10\text{V}$, $f=1\text{MHz}$		65		pF
Switching Times	t_{ON} t_{OFF}	$I_C=-2\text{A}$, $I_{B1}=-200\text{mA}$, $I_{B2}=200\text{mA}$, $V_{CC}=-10\text{V}$		110 460		ns

Note: Pulse width=300 μs . Duty cycle $\leq 2\%$

TYPICAL CHARACTERISTICS



UTC assumes no responsibility for equipment failures that result from using products at values that exceed, even momentarily, rated values (such as maximum ratings, operating condition ranges, or other parameters) listed in products specifications of any and all UTC products described or contained herein. UTC products are not designed for use in life support appliances, devices or systems where malfunction of these products can be reasonably expected to result in personal injury. Reproduction in whole or in part is prohibited without the prior written consent of the copyright owner. The information presented in this document does not form part of any quotation or contract, is believed to be accurate and reliable and may be changed without notice.