



UT2305A

Power MOSFET

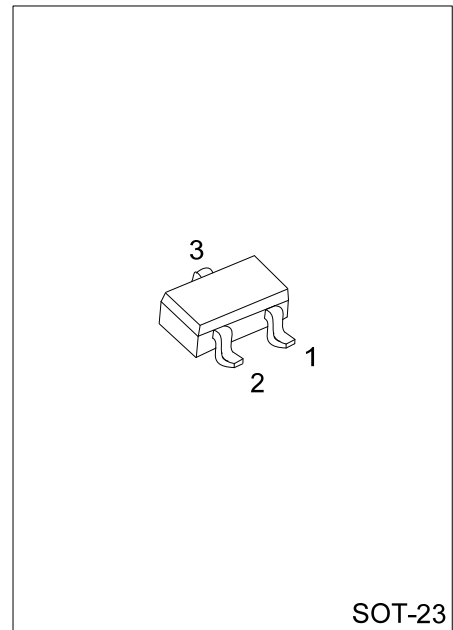
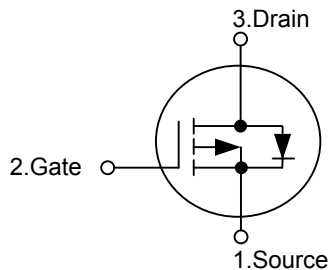
P-CHANNEL ENHANCEMENT MODE

DESCRIPTION

The UTC **UT2305A** is P-channel enhancement mode Power MOSFET, designed in serried ranks. With fast switching speed, low on-resistance, favorable stabilization.

Used in commercial and industrial surface mount applications and suited for low voltage applications such as DC/DC converters.

SYMBOL

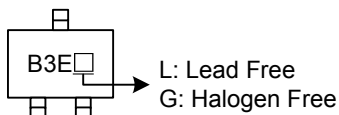


ORDERING INFORMATION

Ordering Number		Package	Pin Assignment			Packing
Lead Free	Halogen Free		1	2	3	
UT2305AL-AE3-R	UT2305AG-AE3-R	SOT-23	S	G	D	Tape Reel

<p>UT2305AL-AE3-R</p> <p>(1)Packing Type (2)Package Type (3)Lead Plating</p>	<p>(1) R: Tape Reel (2) AE3: SOT-23 (3) G: Halogen Free, L: Lead Free</p>
--	---

MARKING



■ ABSOLUTE MAXIMUM RATINGS

PARAMETER	SYMBOL	RATING	UNITS
Drain-Source Voltage	V_{DSS}	- 30	V
Gate-Source Voltage	V_{GSS}	± 12	V
Continuous Drain Current (Note 3) ($T_a=25^\circ\text{C}$)	I_D	-4.2	A
Pulsed Drain Current (Note 1, 2)	I_{DM}	-10	A
Total Power Dissipation ($T_a=25^\circ\text{C}$)	P_D	1.38	W
Junction Temperature	T_J	+150	$^\circ\text{C}$
Storage Temperature	T_{STG}	-55 ~ +150	$^\circ\text{C}$

Note: Absolute maximum ratings are those values beyond which the device could be permanently damaged. Absolute maximum ratings are stress ratings only and functional device operation is not implied.

■ THERMAL DATA

PARAMETER	SYMBOL	MIN	TYP	MAX	UNIT
Junction to Ambient (Note 3)	θ_{JA}			90	$^\circ\text{C/W}$

■ ELECTRICAL CHARACTERISTICS ($T_J=25^\circ\text{C}$, unless otherwise specified)

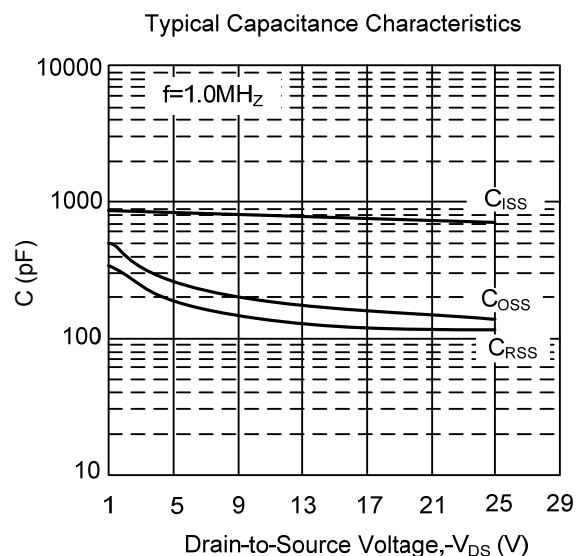
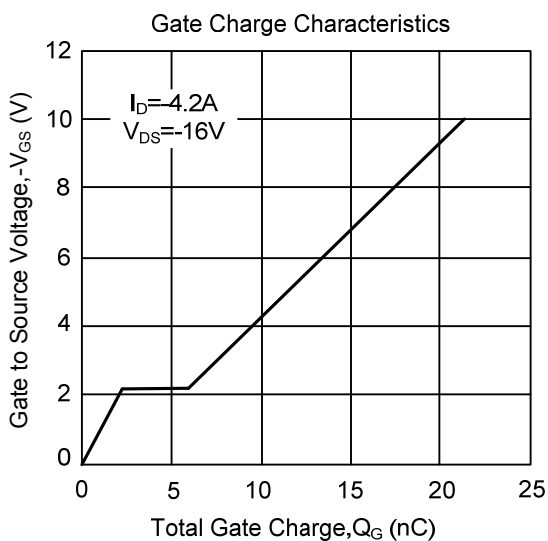
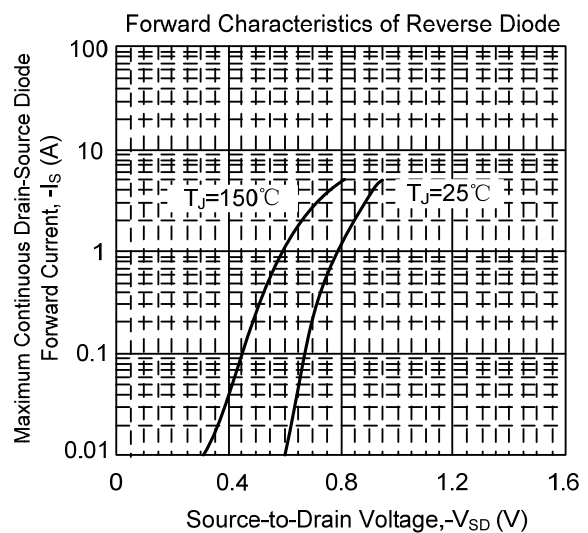
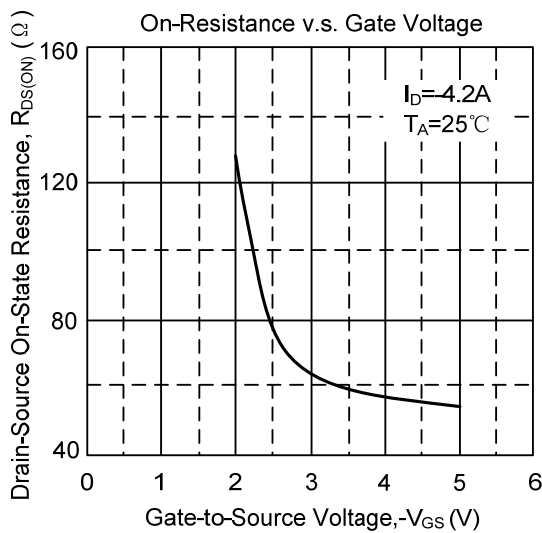
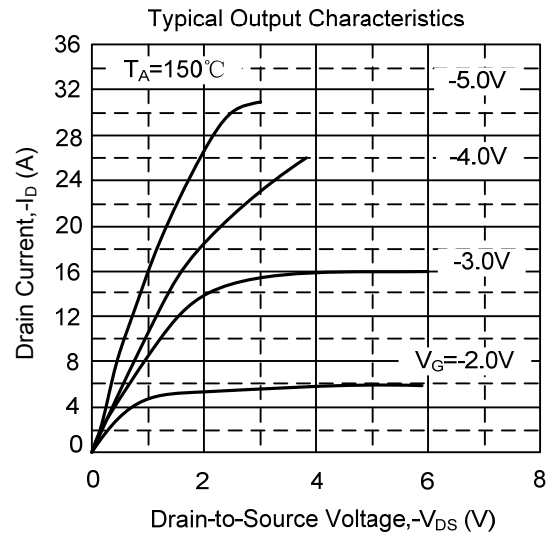
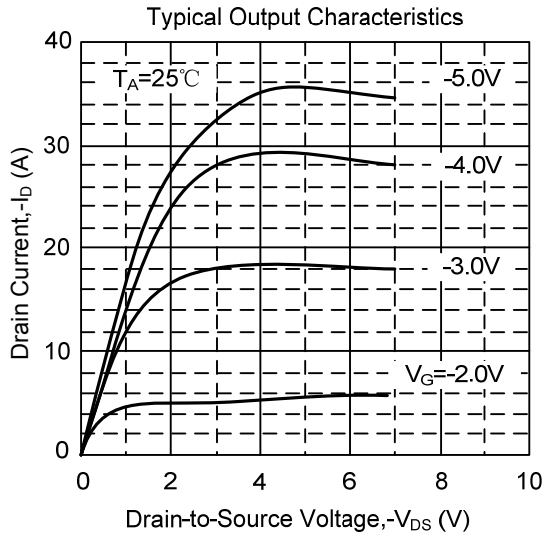
PARAMETER	SYMBOL	TEST CONDITIONS	MIN	TYP	MAX	UNITS
OFF CHARACTERISTICS						
Drain-Source Breakdown Voltage	BV_{DSS}	$V_{GS}=0\text{V}, I_D=-250\mu\text{A}$	-30			V
Drain-Source Leakage Current	I_{DSS}	$V_{DS}=-30\text{V}, V_{GS}=0\text{V}$			-1	μA
Gate-Source Leakage Current	I_{GSS}	$V_{GS}=\pm 12\text{V}, V_{DS}=0\text{V}$			± 100	nA
Breakdown Voltage Temperature Coefficient	$\Delta BV_{DSS}/\Delta T_J$	Reference to $25^\circ\text{C}, I_D=-1\text{mA}$		-0.1		$\text{V}/^\circ\text{C}$
ON CHARACTERISTICS						
Gate Threshold Voltage	$V_{GS(TH)}$	$V_{DS}=V_{GS}, I_D=-250\mu\text{A}$	-0.5		-1.2	V
Drain-Source On-State Resistance (Note 2)	$R_{DS(ON)}$	$V_{GS}=-10\text{V}, I_D=-3.2\text{A}$			60	$\text{m}\Omega$
		$V_{GS}=-4.5\text{V}, I_D=-3.0\text{A}$			80	$\text{m}\Omega$
		$V_{GS}=-2.5\text{V}, I_D=-2.0\text{A}$			150	$\text{m}\Omega$
		$V_{GS}=-1.8\text{V}, I_D=-1.0\text{A}$			250	$\text{m}\Omega$
DYNAMIC CHARACTERISTICS						
Input Capacitance	C_{ISS}	$V_{GS}=0\text{V}, V_{DS}=-15\text{V}, f=1\text{MHz}$		740		pF
Output Capacitance	C_{OSS}			167		pF
Reverse Transfer Capacitance	C_{RSS}			126		pF
SWITCHING CHARACTERISTICS						
Turn-ON Delay Time (Note 2)	$t_{D(ON)}$	$V_{DS}=-15\text{V}, V_{GS}=-10\text{V}, I_D=-4.2\text{A}, R_G=6\Omega, R_D=3.6\Omega$		5.9		ns
Turn-ON Rise Time	t_R			3.6		ns
Turn-OFF Delay Time	$t_{D(OFF)}$			32.4		ns
Turn-OFF Fall Time	t_F			2.6		ns
Total Gate Charge (Note 2)	Q_G	$V_{DS}=-16\text{V}, V_{GS}=-4.5\text{V}, I_D=-4.2\text{A}$		10.6		nC
Gate-Source Charge	Q_{GS}			2.32		nC
Gate-Drain Charge	Q_{GD}			3.68		nC
SOURCE- DRAIN DIODE RATINGS AND CHARACTERISTICS						
Drain-Source Diode Forward Voltage(Note2)	V_{SD}	$V_{GS}=0\text{V}, I_S=-1.2\text{A}$			-1.2	V
Reverse Recovery Time	t_{RR}	$V_{GS}=0\text{V}, I_S=-4.2\text{A},$		27.7		ns
Reverse Recovery Charge	Q_{RR}	$dl/dt=100\text{A}/\mu\text{s}$		22		nC

Notes: 1. Pulse width limited by $T_{J(MAX)}$

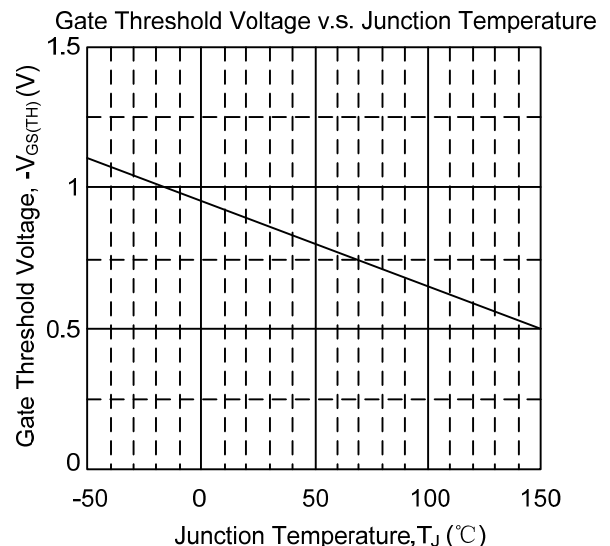
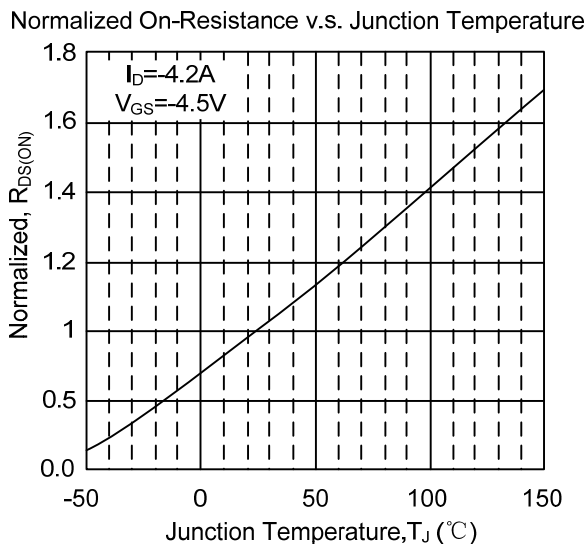
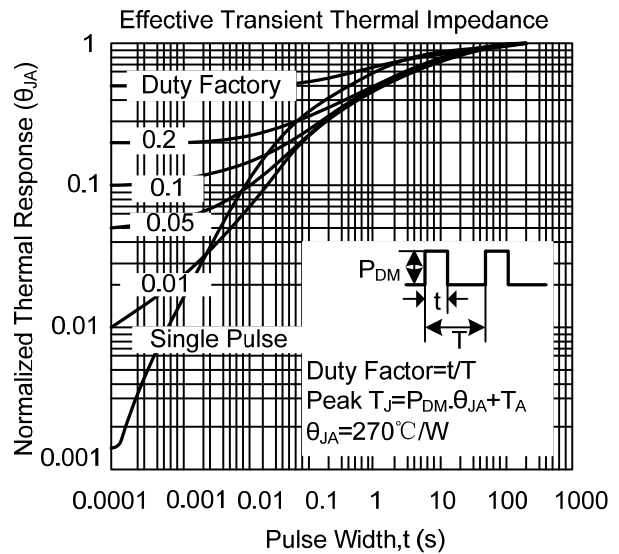
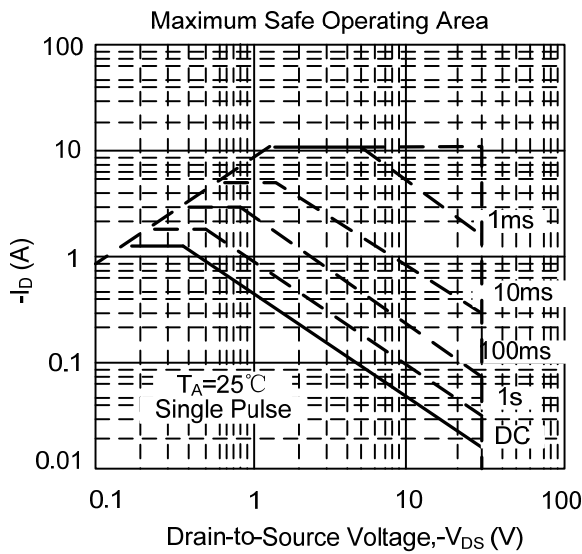
2. Pulse width $\leq 300\mu\text{s}$, duty cycle $\leq 2\%$.

3. Surface mounted on 1 in² copper pad of FR4 board; 270°C/W when mounted on min.

TYPICAL CHARACTERISTICS



TYPICAL CHARACTERISTICS(Cont.)



UTC assumes no responsibility for equipment failures that result from using products at values that exceed, even momentarily, rated values (such as maximum ratings, operating condition ranges, or other parameters) listed in products specifications of any and all UTC products described or contained herein. UTC products are not designed for use in life support appliances, devices or systems where malfunction of these products can be reasonably expected to result in personal injury. Reproduction in whole or in part is prohibited without the prior written consent of the copyright owner. The information presented in this document does not form part of any quotation or contract, is believed to be accurate and reliable and may be changed without notice.