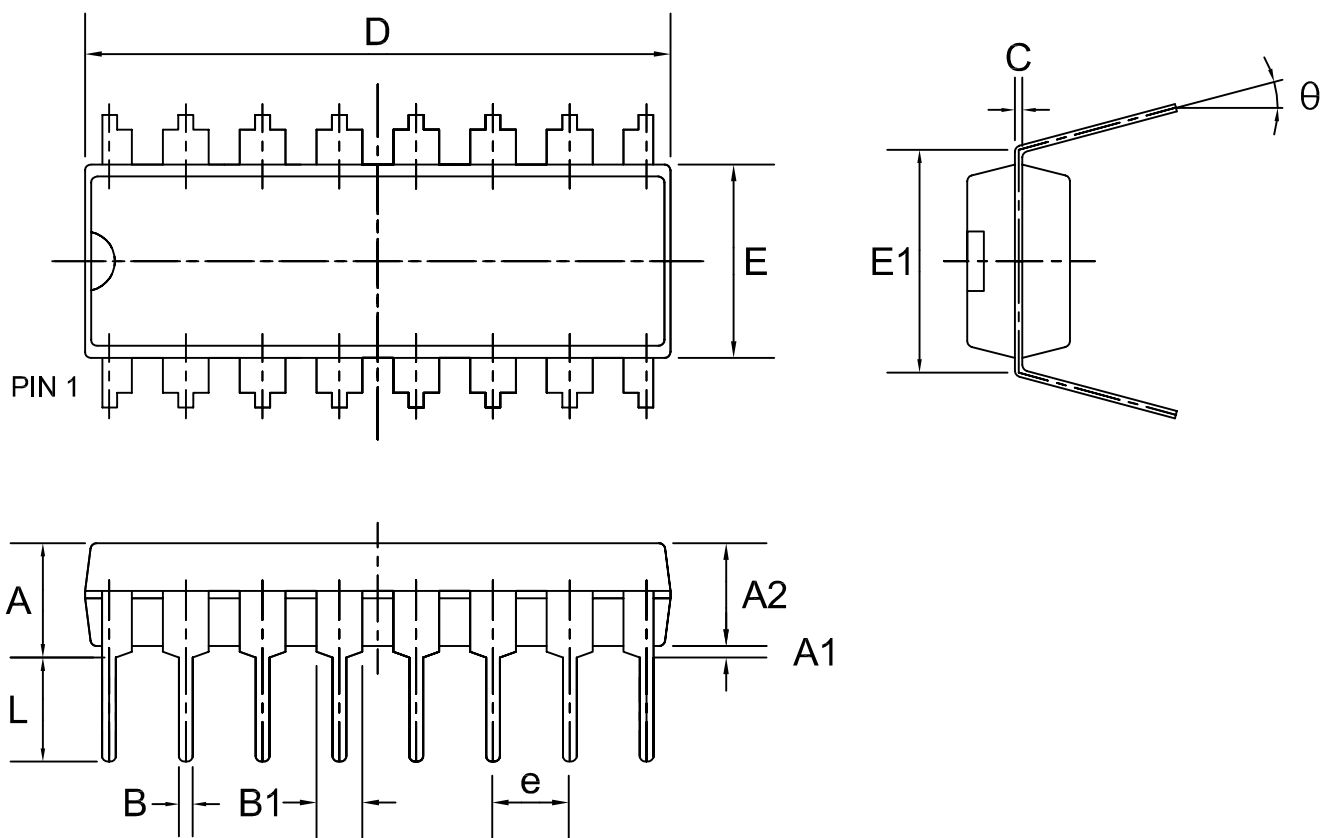


產品尺寸圖 (DIMENSION)



| Symbol | Dimensions In Millimeters | | | Dimensions In Inches | | |
|--------|---------------------------|-------|-------|----------------------|-------|-------|
| | Min | Nom | Max | Min | Nom | Max |
| A | — | — | 4.31 | — | — | 0.170 |
| A1 | 0.38 | — | — | 0.015 | — | — |
| A2 | 3.15 | 3.40 | 3.65 | 0.124 | 0.134 | 0.144 |
| B | — | 0.46 | — | — | 0.018 | — |
| B1 | — | 1.52 | — | — | 0.060 | — |
| C | — | 0.25 | — | — | 0.010 | — |
| D | 19.00 | 19.30 | 19.60 | 0.748 | 0.760 | 0.772 |
| E | 6.20 | 6.40 | 6.60 | 0.244 | 0.252 | 0.260 |
| E1 | — | 7.62 | — | — | 0.300 | — |
| e | — | 2.54 | — | — | 0.100 | — |
| L | 3.00 | 3.30 | 3.60 | 0.118 | 0.130 | 0.142 |
| θ | 0° | — | 15° | 0° | — | 15° |

Note: QC. Inspection Range : A2.D.E

| | | |
|----------------|------------------|-----|
| PACKAGE | DIP-16 | |
| DRAWING NUMBER | DIM-DIP16-0103-B | |
| SIGNATURE | ORG. | 蘇育正 |
| | APPR. | 康哲郡 |