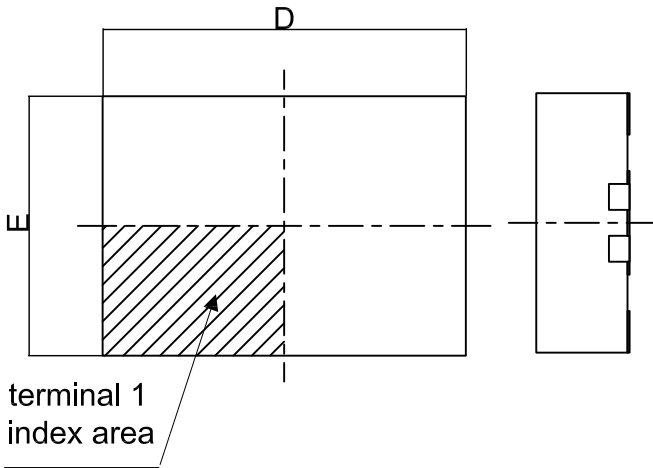
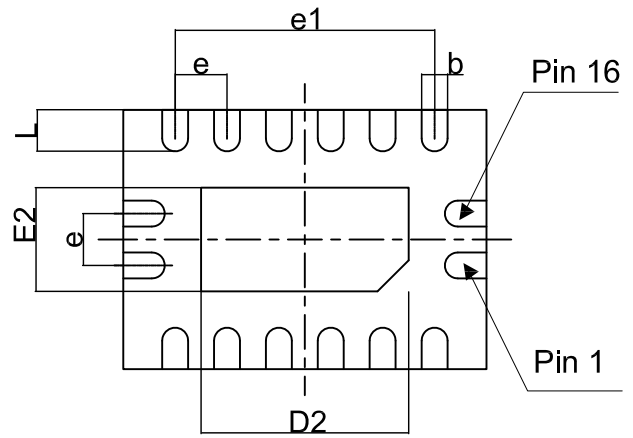


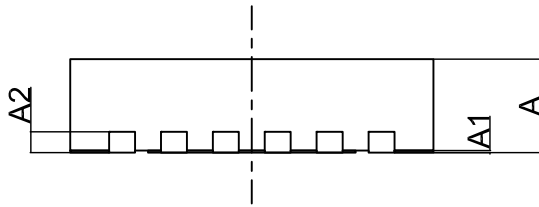
禁用RoHS / REACH/SS00259 之有害物質



TOP VIEW



BOTTOM VIEW



SIDE VIEW

Symbol	Dimensions in Millimeters		Dimensions in Inches	
	Min	Max	Min	Max
A	0.700	0.800	0.028	0.031
A1	0.000	0.050	0.000	0.002
A2	0.200	0.200	0.008	0.008
b	0.180	0.300	0.007	0.012
e	0.5 REF		0.020 REF	
e1	2.5 REF		0.098 REF	
D	3.400	3.600	0.134	0.142
D2	1.850	2.150	0.073	0.085
E	2.400	2.600	0.094	0.102
E2	0.850	1.150	0.033	0.045
L	0.300	0.500	0.012	0.020

Refer to JEDEC NO.MO-241



友順科技股份有限公司  
UNISONIC TECHNOLOGIES CO.,LTD

REV:A0  
PART NO:QFN-16(3.5x2.5)  
DWG NO:DIM-QFN-16(3.5x2.5)-001-A0

TITLE  
QFN-16(3.5x2.5)  
Package Dimensions

正式發行圖面

SCALE	mm	
10:1	0	30
SHEET	THIRD ANGLE PROJECTION	
1 of 1	FOR ISSUED	
ENG.	Bobo Yu	2025/12/12
APPR	Ken Huang	2025/12/15
UTC Doc Control Center		